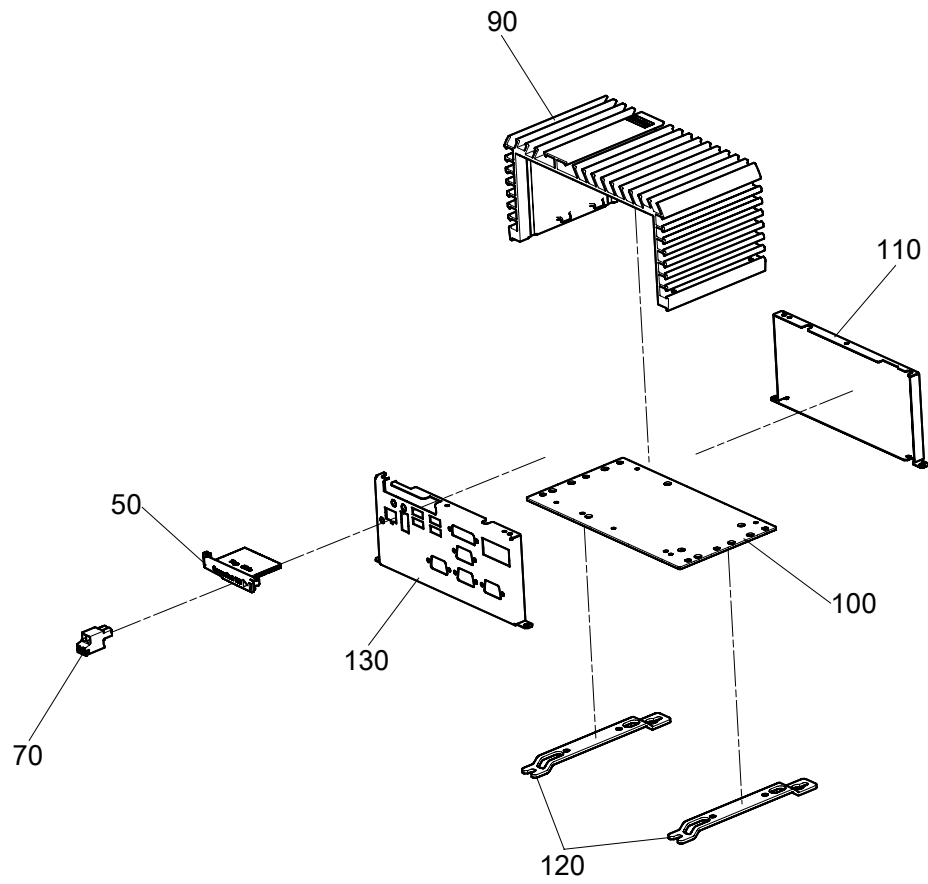
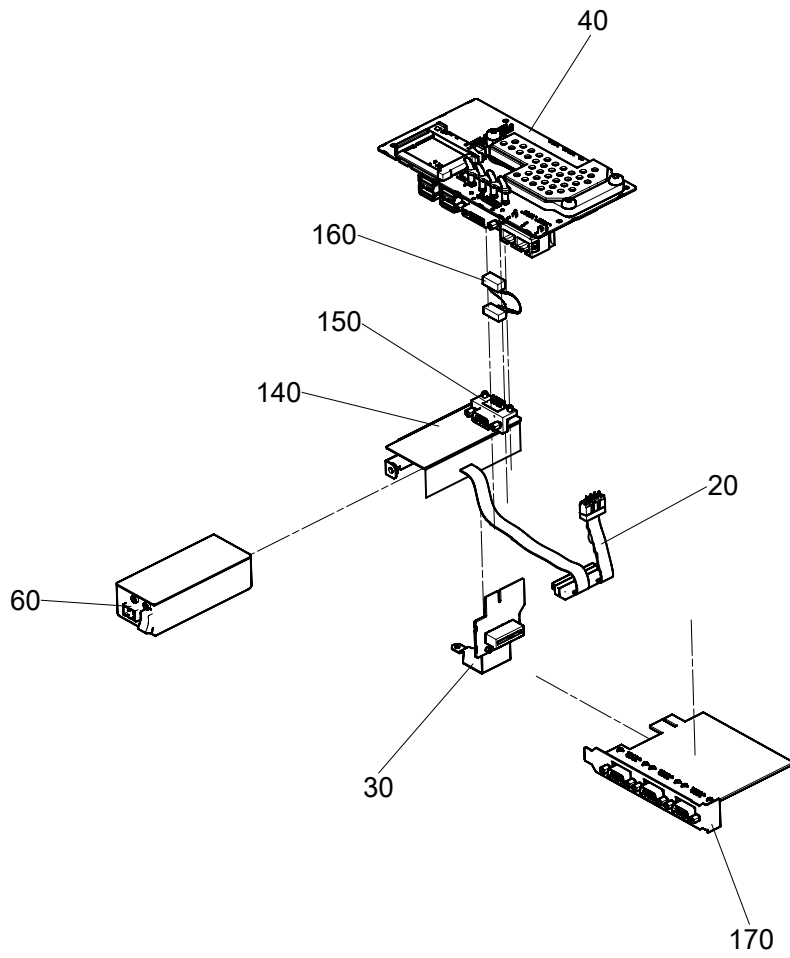


Nanobox



ViewB

Nanobox



ViewC

Nanobox

ITEM	DESCRIPTION	PART NO.	QTY	INFO
10	•Nanobox Assy	NanoBox	1	
20	••Ribbon Cable	EP17653	1	
30	••Card Mount	CC55633	1	
40	••Main Board	CC55634	1	
50	••Flash Drive	CC55635	1	
60	••Power Supply Unit	CC55636	1	
70	••Power Connector	A5E026387	1	
80	••Case Assy	CC55637	1	
90	•••Casing	A5E7205	1	
100	•••Base	A5E7206	1	
110	•••Front Panel	A5E7025	1	
120	•••Mount Bracket	A5E7207	2	
130	•••Back Panel	A5E7204	1	
140	••PSU Holder	CC55638	1	
150	••Serial Port	A5E97146	1	
160	••Ribbon Cable	EP17654	1	
170	••IO Connector Card	CC55632	1	