

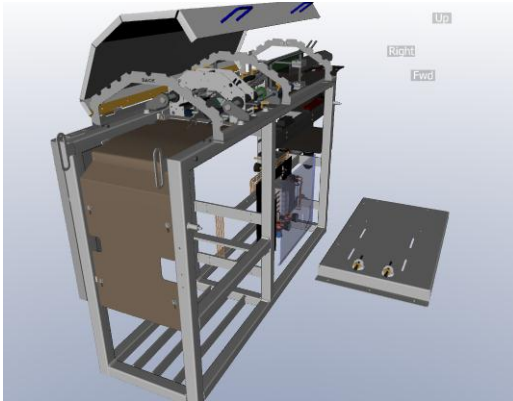
Industrial Machine DITA Demo - Motor Assembly Installation

1. Install Motor Mounting Plate.



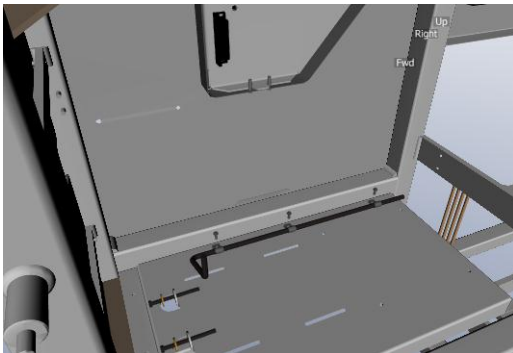
warning: Ensure that power is disconnected before proceeding.

- a) Install Bolts and Washers on Motor Mounting Plate.
- b) *Attach Motor Mounting Plate* on Workbench.

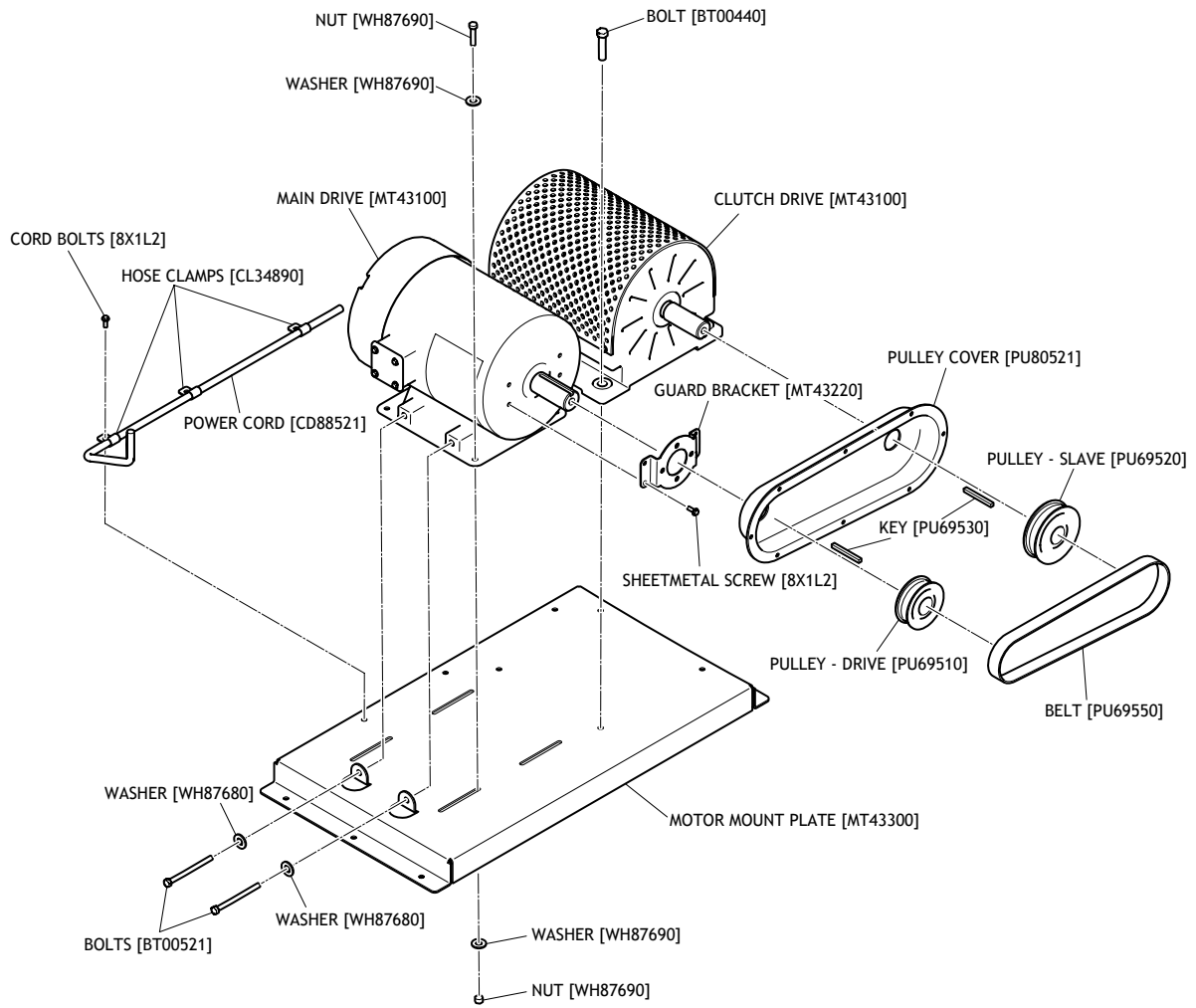


2. Install Power Cord

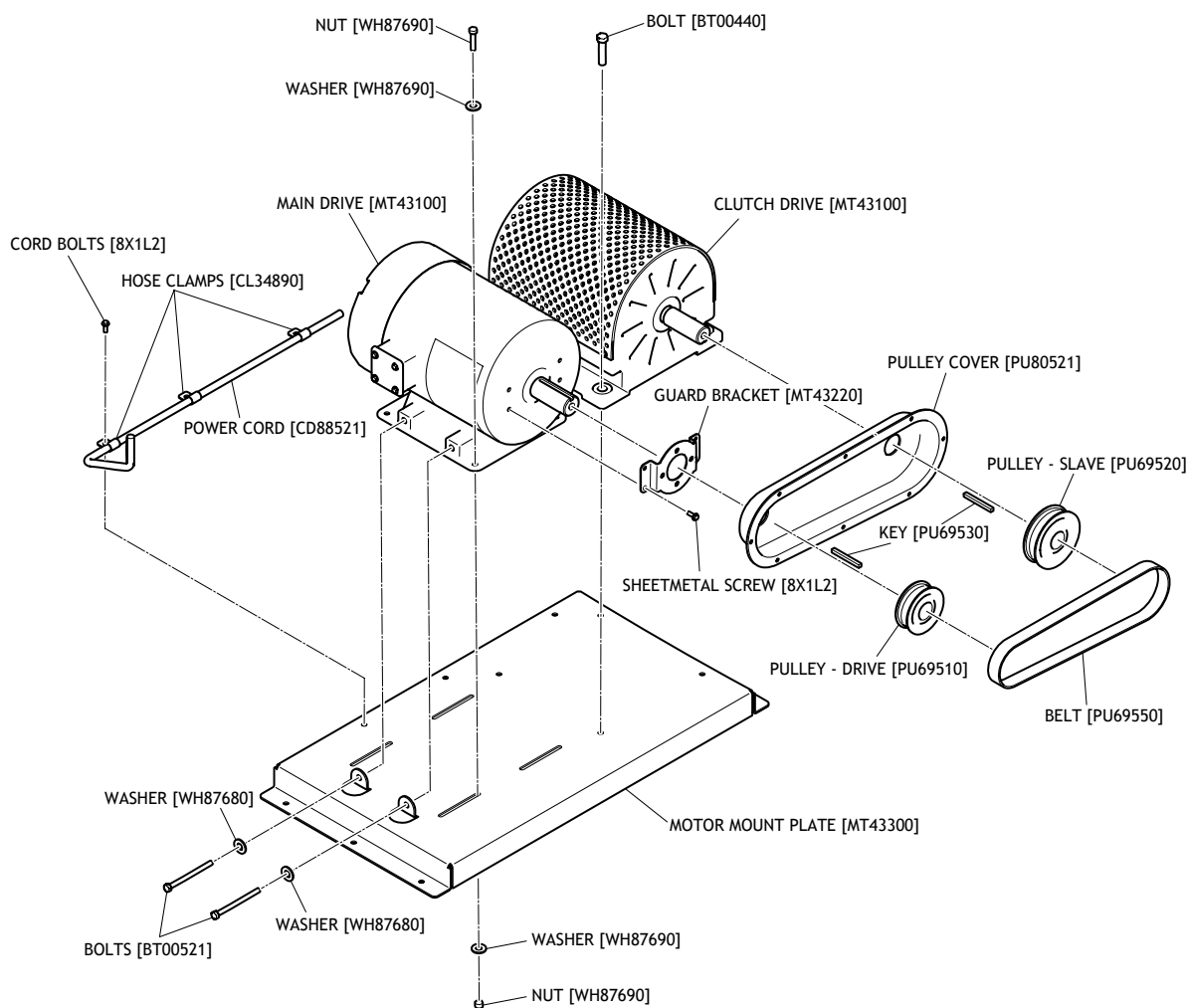
- a) Install Power Cord and Cable Clamps on Motor Mounting Plate.
- b) *Secure with Sheetmetal Screws.*



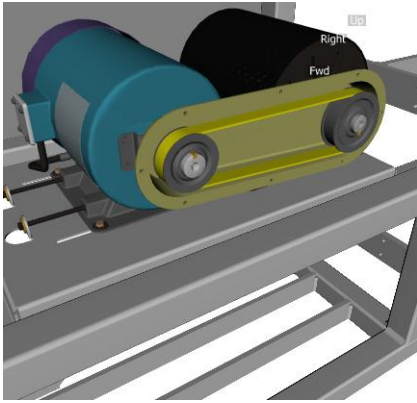
3. *Install Clutch Drive Assy and Bolts.*



4. *Install Main Drive Motor.*

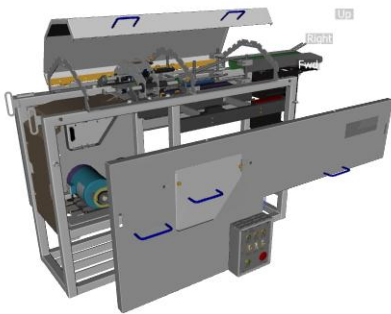


- a) Attach Main Drive Motor.
 - b) Install Bolts, Washers and Nuts.
 - c) Tighten the bolts, using a Wrench to secure the Nuts.
 - d) Tighten the Bolts to prevent movement during operation.
 - e) Connect Power Cord to Main Drive Motor.
5. Install Drive Pulley.
- a) Install Guard Bracket and Sheetmetal Screws.
 - b) Install Pully Cover.
 - c) Install Key and Drive Pulley on Drive Motor Shaft.
 - d) Install Key and Slave Pulley on Clutch Shaft.
 - e) *Install Belt* on Pulleys.



6. *Install Left Guard.*

- a) Attach Left Guard.
- b) Install Bolts.



7. *Test Operation*



Note: Ensure that power is connected before proceeding.

- a) Turn on Workbench using the Control Panel.
- b) Ensure that movement is smooth in all both directions.
- c) Turn off Workbench using the Control Panel.

