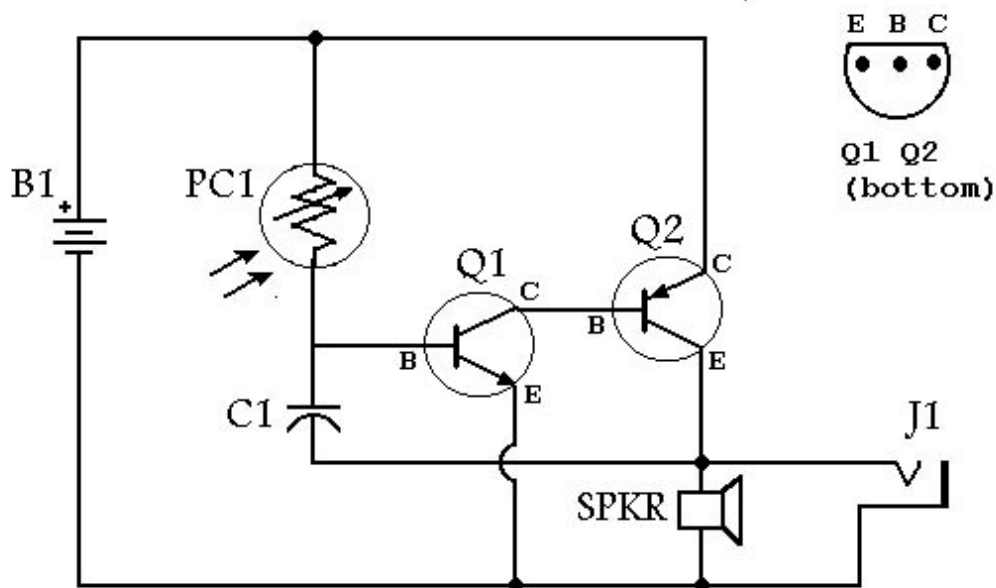


1. *Test Operation*



**CAUTION:** Check if machine is connected to the power source by switching it on.

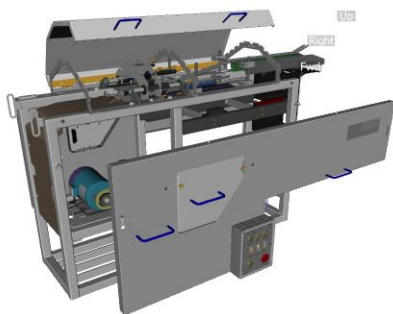
- a) Turn on Workbench using the Control Panel.
- b) Ensure that movement is smooth in all both directions.
- c) Turn off Workbench using the Control Panel.



**warning:** Ensure that power is disconnected before proceeding.

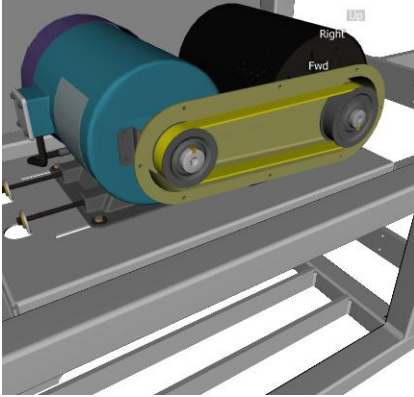
2. *Remove Left Guard.*

- a) Remove Bolts.
- b) Detach Left Guard.

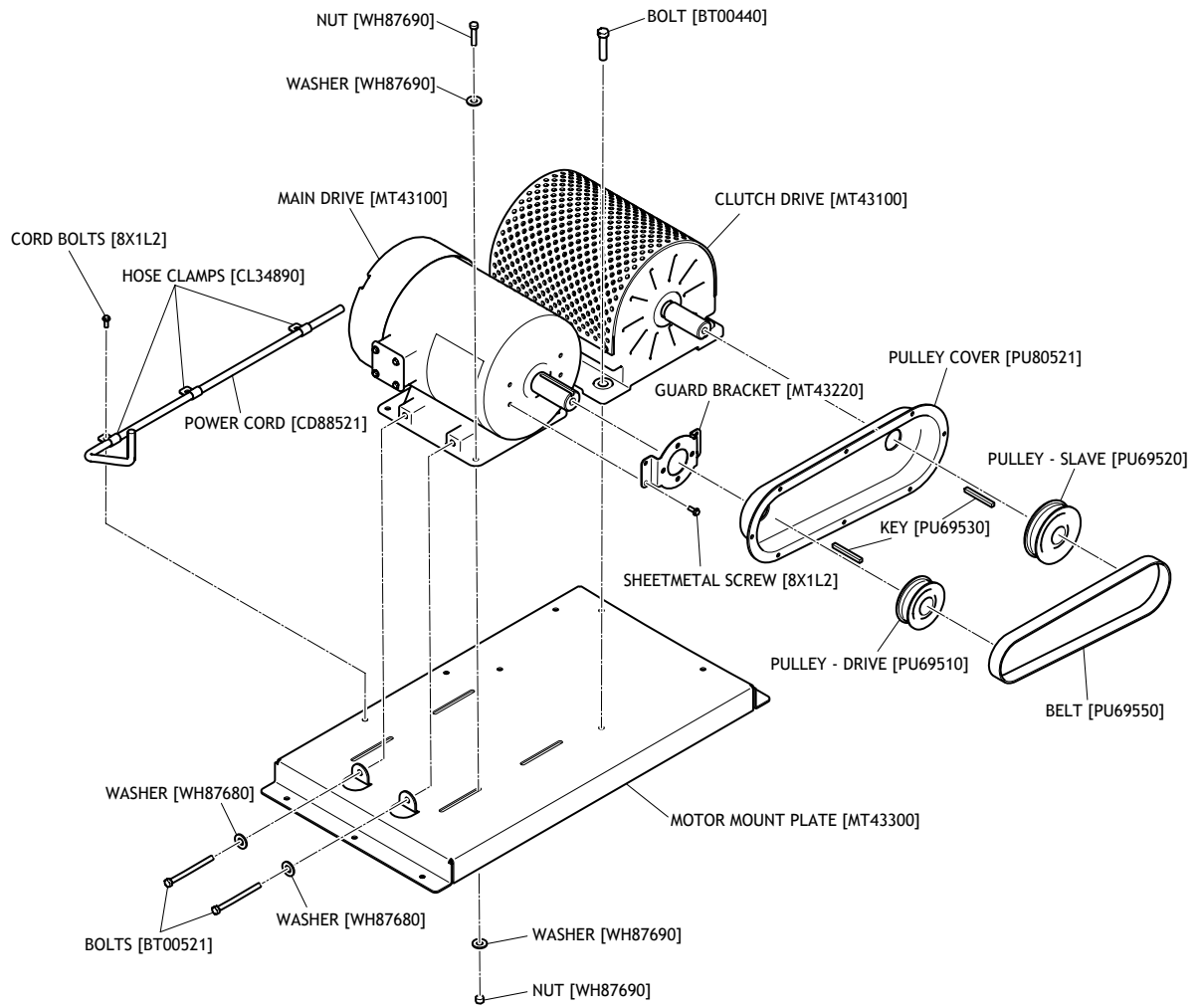


3. *Remove Drive Pulley.*

- a) *Remove Belt* from Pulleys.

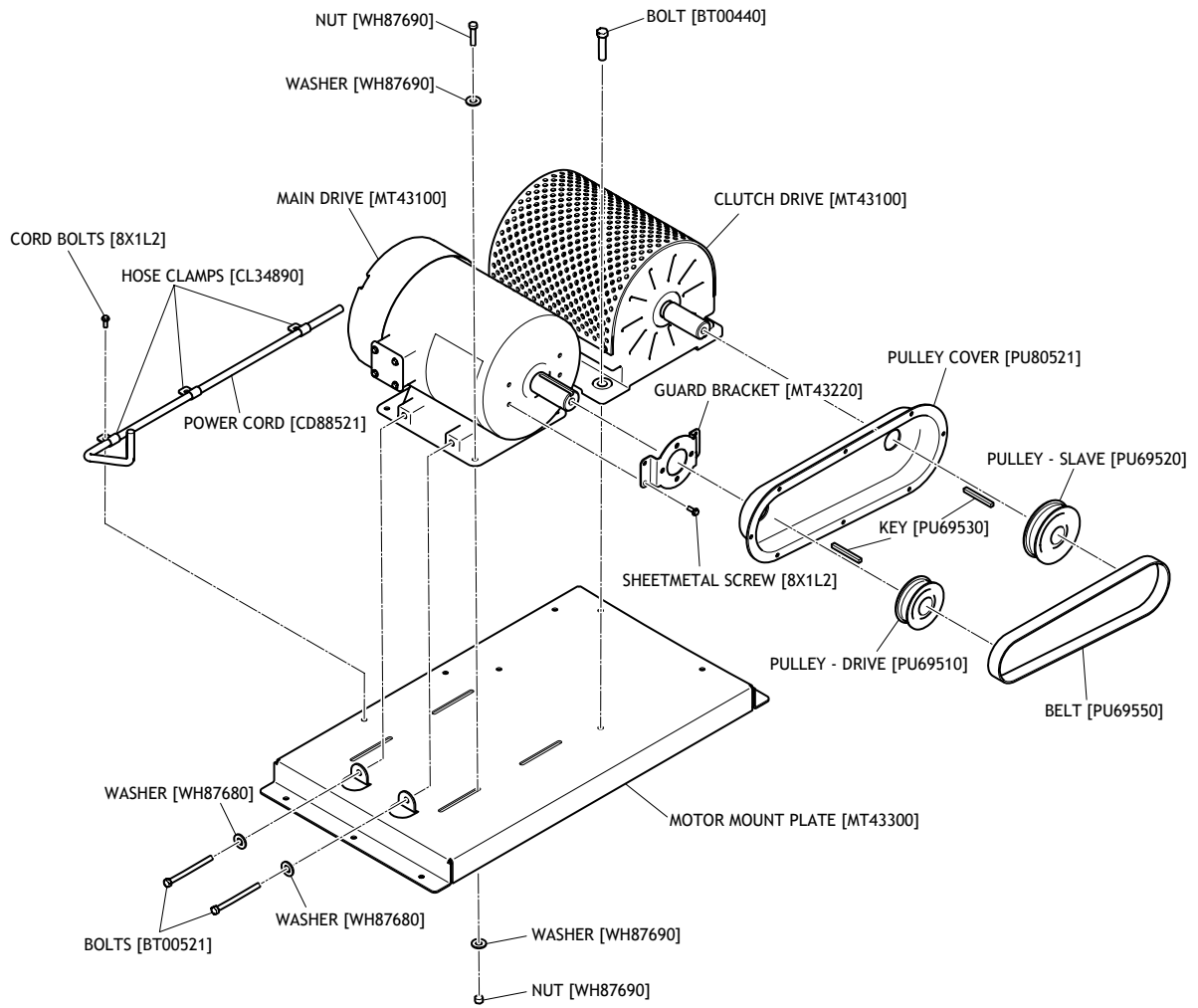


- b) Remove Key and Slave Pulley from Clutch Shaft.  
c) Remove Key and Drive Pulley from Drive Motor Shaft.  
d) Remove Pully Cover.  
e) Remove Guard Bracket and Sheetmetal Screws.
4. *Remove Main Drive Motor.*
- a) Disconnect Power Cord from Main Drive Motor.



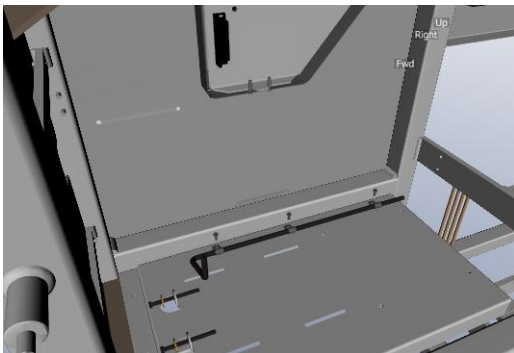
- b) Loosen the Bolts, preventing movement during operation.
- c) Loosen the Bolts, using a Wrench.
- d) Remove Bolts, Washers and Nuts.
- e) Remove Main Drive Motor.

**5. Remove Clutch Drive Assy and Bolts.**



6. Remove Power Cord.

- a) *Remove the Clamp Screws.*
- b) Remove Power Cord and Cable Clamps from Motor Mounting Plate.



7. Remove Motor Mounting Plate.

- a) *Detach Motor Mounting Plate* from Workbench.

b) Remove Bolts and Washers from Motor Mounting Plate.

