

AIRCRAFT MAINTENANCE MANUAL
INTRODUCTION - DESCRIPTION AND OPERATION

1. GENERAL

EFFECTIVITY: All

INTRO

INTENTIONALLY BLANK

AIRCRAFT MAINTENANCE MANUAL
GENERAL

TASK 32-10-02-000-801

** ON A/C 001999

Procedure

1. Torque Links Removal

Subtask 32-10-02-210-001

** ON A/C 001999

- A. NOTE: Procedures for the right and left components are the same. Only the procedures for the left are given.

Subtask 32-10-02-020-002

** ON A/C 001999

- A. Remove the wheel assy.

Subtask 32-10-02-010-003

** ON A/C 001999

- A. Remove the screw (13), clamp (14) and nut (21) from the torque link standoff bracket (18).[Ref. Figure](#)
- Remove the cotter pins (16), nuts (15), washers (17), bolts (20), standoff bracket (18) and switch bracket (19) from the upper torque link (2).[Ref. Figure](#)
- Remove the nuts (12), washers (11), bolts (8) and the switch terminal bracket (9) from the lower torque link (7).[Ref. Figure](#)
- Remove the cotter pin (5), nut (4), washer (6) and bolt (10) from the torque links (2 and 7).[Ref. Figure](#)
- Remove the safety wires from the upper and lower slotted spring pins (3). Remove the spring pins (3).[Ref. Figure](#)
- Remove link pins (1) from the upper (2) and lower (7) torque links.[Ref. Figure](#)
- Remove the upper torque link (2) and lower torque link (7) from the strut and axle.

** ON A/C 001999

Subtask 32-10-02-220-004

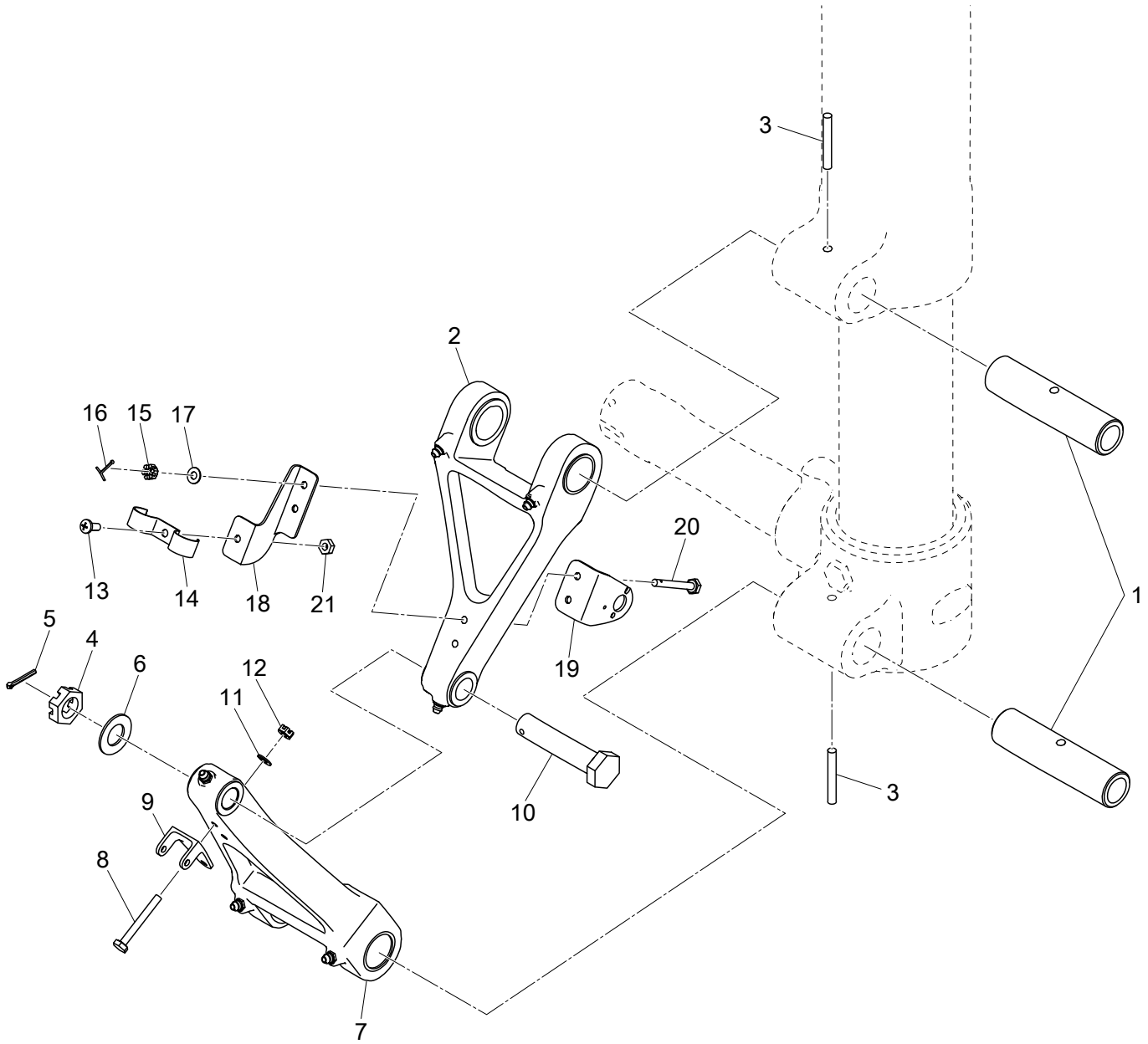
** ON A/C 001999

- A. Inspect the strut, pins and torque link bushings.

EFFECTIVITY: 001999

00-00-00

AIRCRAFT MAINTENANCE MANUAL



Torque Links Removal
Figure