

Main Landing Gear Torque Links - Remove procedures

DMC: C3D-A-32-10-02-0000-520A-D

Title: Main Landing Gear Torque Links - Remove procedures

Issue no: 003 new

Issue Date: 2015-01-21

Language: en/

Security classification : Class01

Responsible partner company: LBS/KA296

Originator: LBS/KA296

Applicability

QA: Unverified

Intentionally left blank

Main Landing Gear Torque Links - Remove procedures

Table of Contents	Page
References.....	1
Preliminary Requirements.....	1
Procedure.....	3

List of Tables	Page
1 References.....	1
2 Required Conditions.....	1
3 Required Persons.....	2
4 Support Equipment.....	2
5 Consumables, Materials, and Expendables.....	2
6 Spares.....	2
7 Required Conditions.....	10

List of Figures	Page
1 Clamp.....	3
2 Standoff Bracket.....	4
3 Switch Terminal Bracket.....	5
4 Link Bolt.....	6
5 Upper Spring.....	7
6 Link Pins.....	8
7 Torque Links Removal.....	9

References

Table 1 References

Data Module/Technical Publication	Title
C3D-A-32-10-02-000-120A-D	Maintenance - Pre Maintenance
C3D-A-24-45-02-000-120A-D	Electrical - Pre Maintenance
C3D-A-32-00-00-0000-012A-D	Landing gear - General - General warnings and cautions and related safety data
C3D-A-32-40-03-0000-520A-D	Main Landing Gear Brakes - Remove procedures

Preliminary Requirements

Required Conditions

Table 2 Required Conditions

Title	Data Module
This task must be done in a hangar or a hardened aircraft shelter	
The aircraft must be safe for maintenance	C3D-A-32-10-02-000-120A-D

UNCLASSIFIED

Title	Data Module
The aircraft must be electrically safe	C3D-A-24-45-02-000-120A-D

Required Persons

Table 3 Required Persons

Person	Category/Trade	Skill level	Trade code	Estimated time spent
Man 1	TECHAFR	Basic		2.03h

Support Equipment

Table 4 Support Equipment

Nomenclature	Identification No.	Qty	Remarks
TORQUE WRENCH	NSN : 8928- 9-992-8298 Pt. 1 No : SP80030000 NSCM: PT405		
TOOL KIT	Pt. No : TK-494DF-1 NSCM: PT405	1	

Consumables, Materials, and Expendables

Table 5 Consumables, Materials, and Expendables

Nomenclature	Identification No.	Qty	Remarks
PIN COTTER	Pt. No : BACP10AD02C09P 1 NSCM: V5282		
PIN COTTER	Pt. No : BACP20BC01D07P 1 NSCM: V5282		

Spares

Table 6 Spares

Nomenclature	Identification No.	Qty	Remarks
None			

Safety Conditions

WARNING

Review the SAFETY PRECAUTIONS section data before performing this procedure C3D-A-32-00-00-0000-012A-D .

Procedure

1

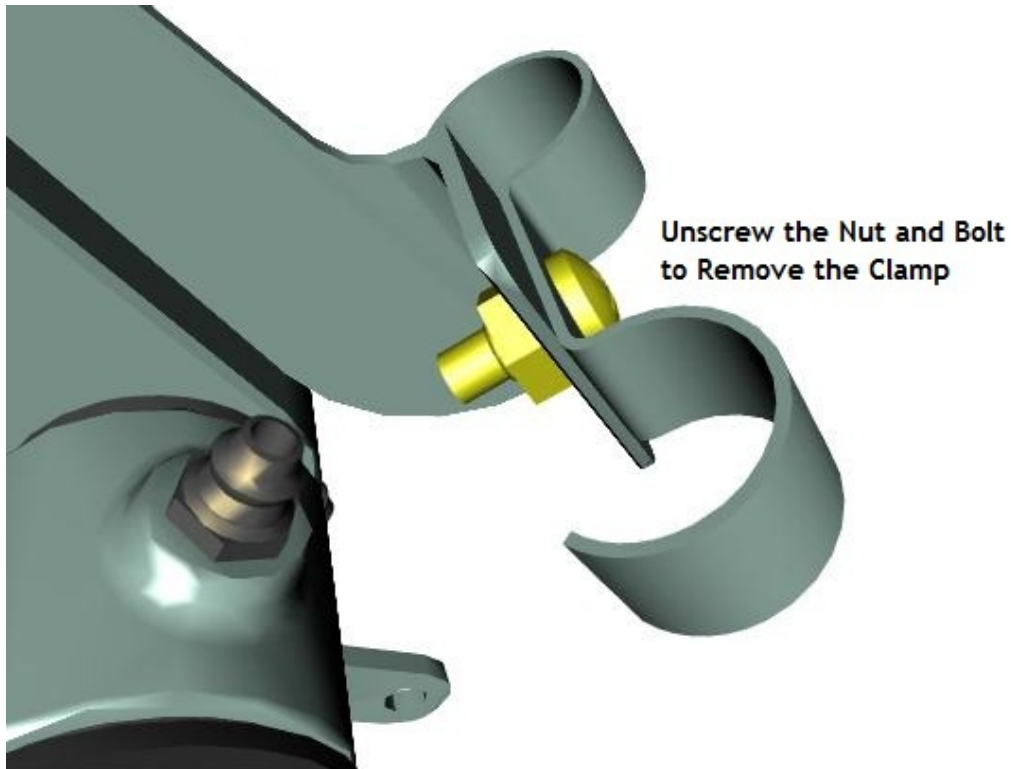
Note

Procedures for the right and left components are the same. Only the procedures for the left are given.

2 Perform the Main Landing Gear Brakes - Remove procedures C3D-A-32-40-03-0000-520A-D.

3 Remove the upper and lower torque link from the strut (Refer to Fig.7):

3.1 Remove the screw (13), clamp (14) and nut (21) from the torque link standoff bracket (18).



ICN-C3D-A-321002-0-KA296-00002-A-01-1

Figure 1 Clamp

3.2 Remove the cotter pins (16), nuts (15), washers (17), bolts (20), standoff bracket (18) and switch bracket (19) from the upper torque link (2).

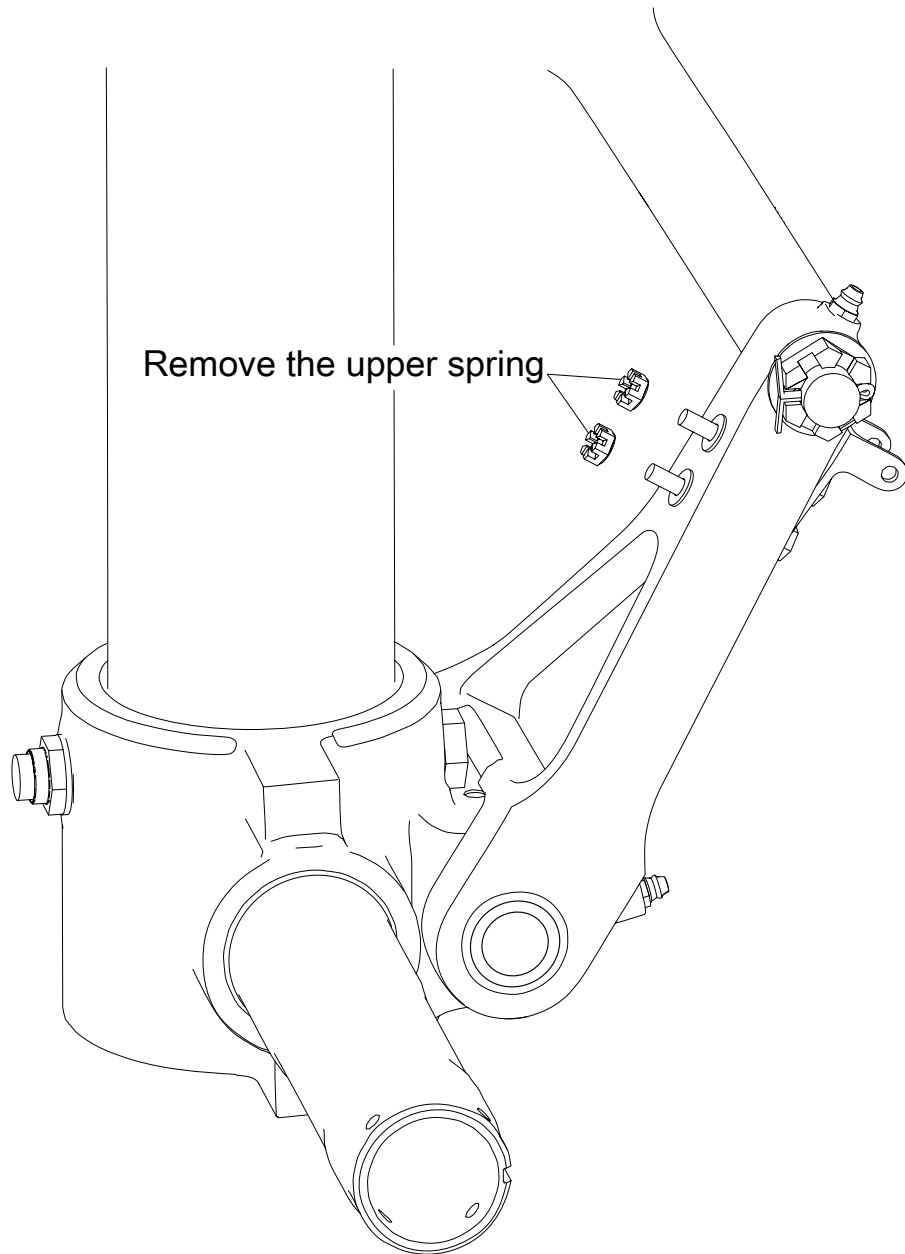
Fold and remove the
Cotter Pins



ICN-C3D-A-321002-0-KA296-00003-A-01-1

Figure 2 Standoff Bracket

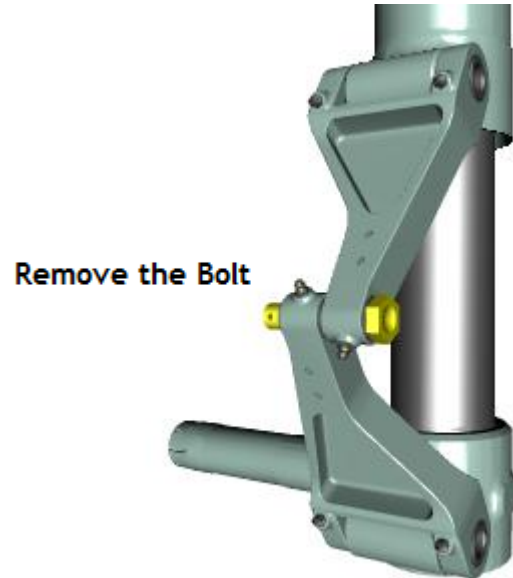
- 3.3 Remove the nuts (12), washers (11), bolts (8) and the switch terminal bracket (9) from the lower torque link (7).



ICN-C3D-A-321002-0-KA296-00004-A-01-1

Figure 3 Switch Terminal Bracket

-
- 3.4 Remove the cotter pin (5), nut (4), washer (6) and bolt (10) from the torque links (2 and 7).

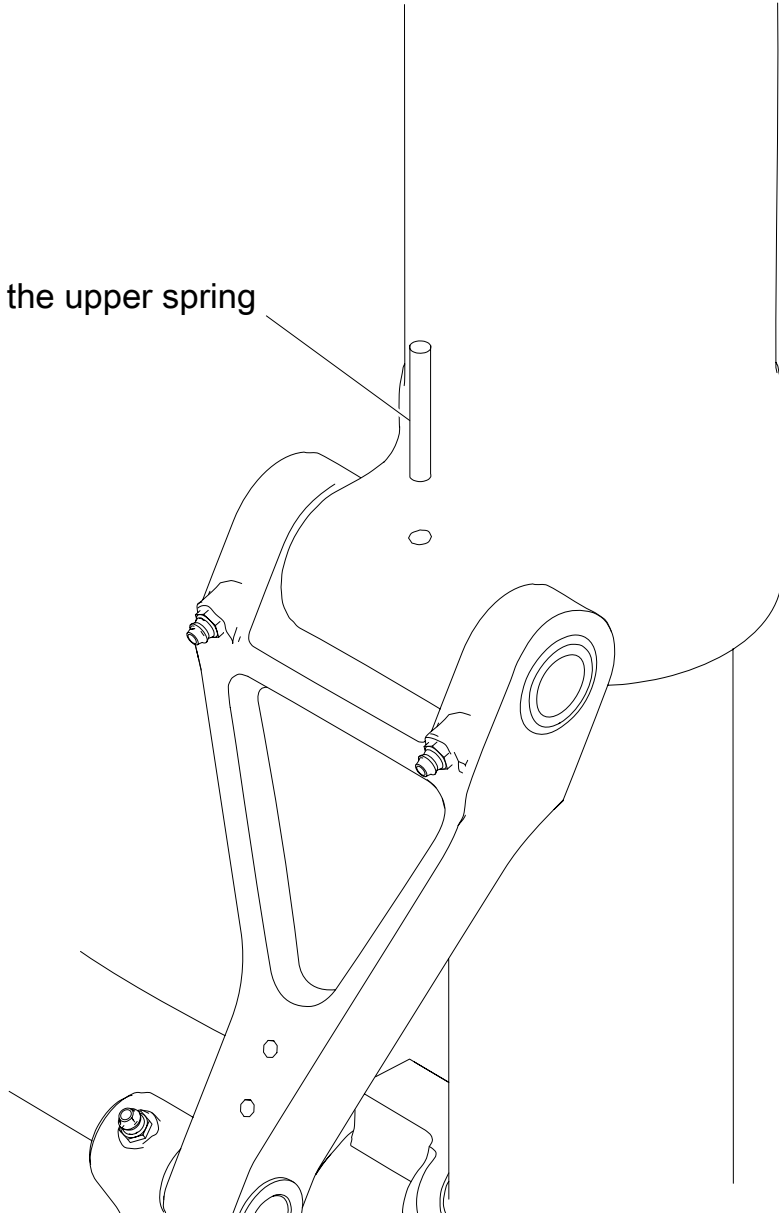


ICN-C3D-A-321002-0-KA296-00005-A-01-1

Figure 4 Link Bolt

- 3.5 Remove the safety wires from the upper and lower slotted spring pins (3). Remove the spring pins (3).

Remove the upper spring



ICN-C3D-A-321002-0-KA296-00006-A-01-1

Figure 5 Upper Spring

-
- 3.6 Remove link pins (1) from the upper (2) and lower (7) torque links.

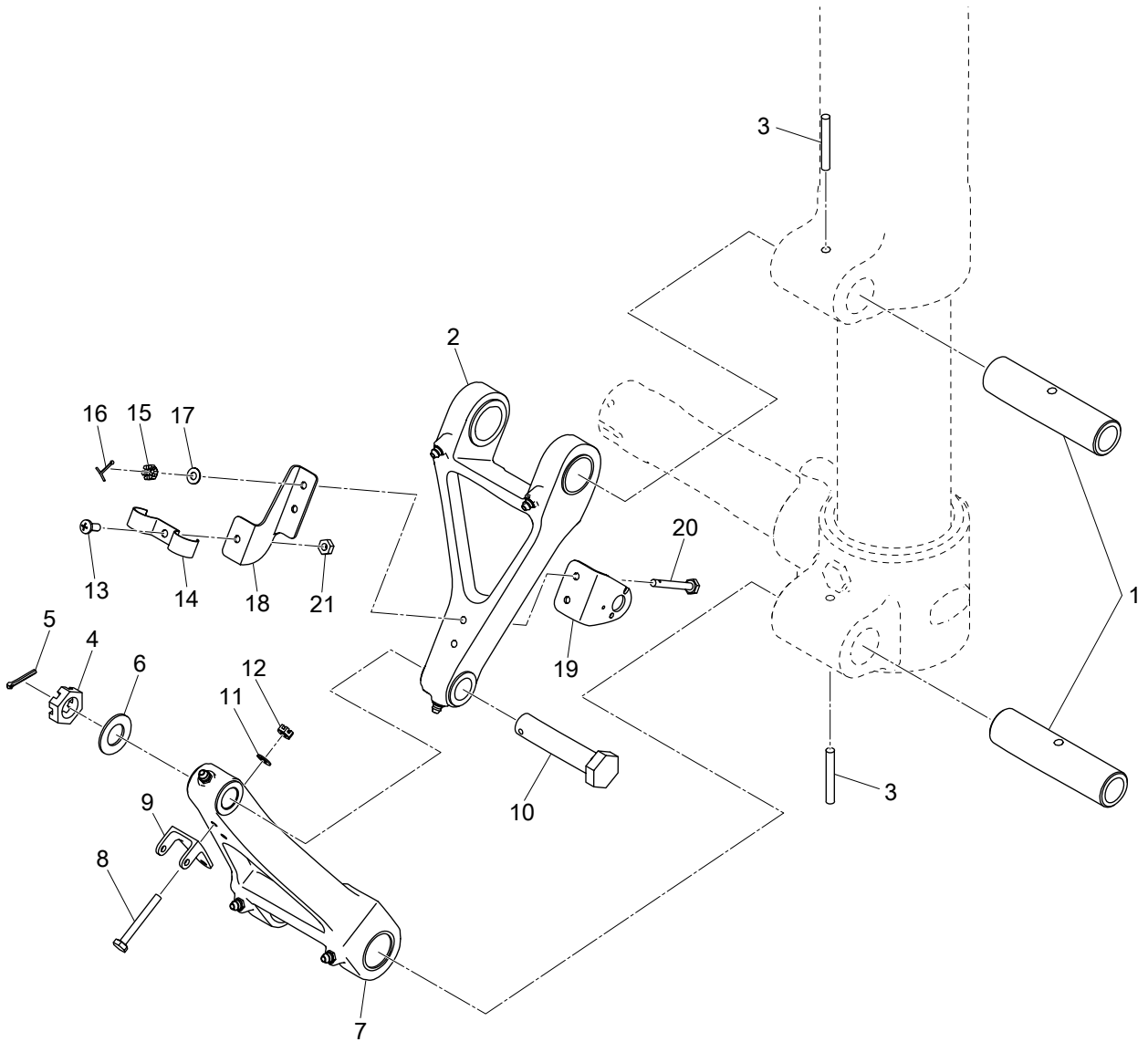


Remove Link Pins

ICN-C3D-A-321002-0-KA296-00007-A-01-1

Figure 6 Link Pins

- 3.7 Remove the upper torque link (2) and lower torque link (7) from the strut and axle.
- 4 Inspect the strut, pins and torque link bushings for damage.



ICN-C3D-A-321002-0-KA296-00001-A-01-1

Figure 7 Torque Links Removal

Requirements after job completion

Required Conditions

Table 7 Required Conditions

Title	Data Module
None	