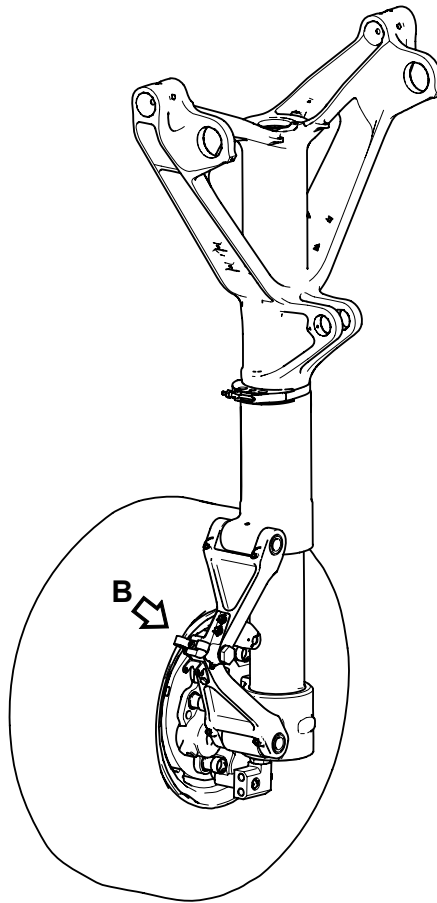
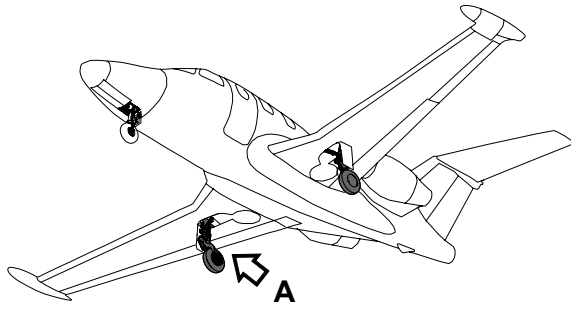


C3D1
ILLUSTRATED PARTS CATALOG



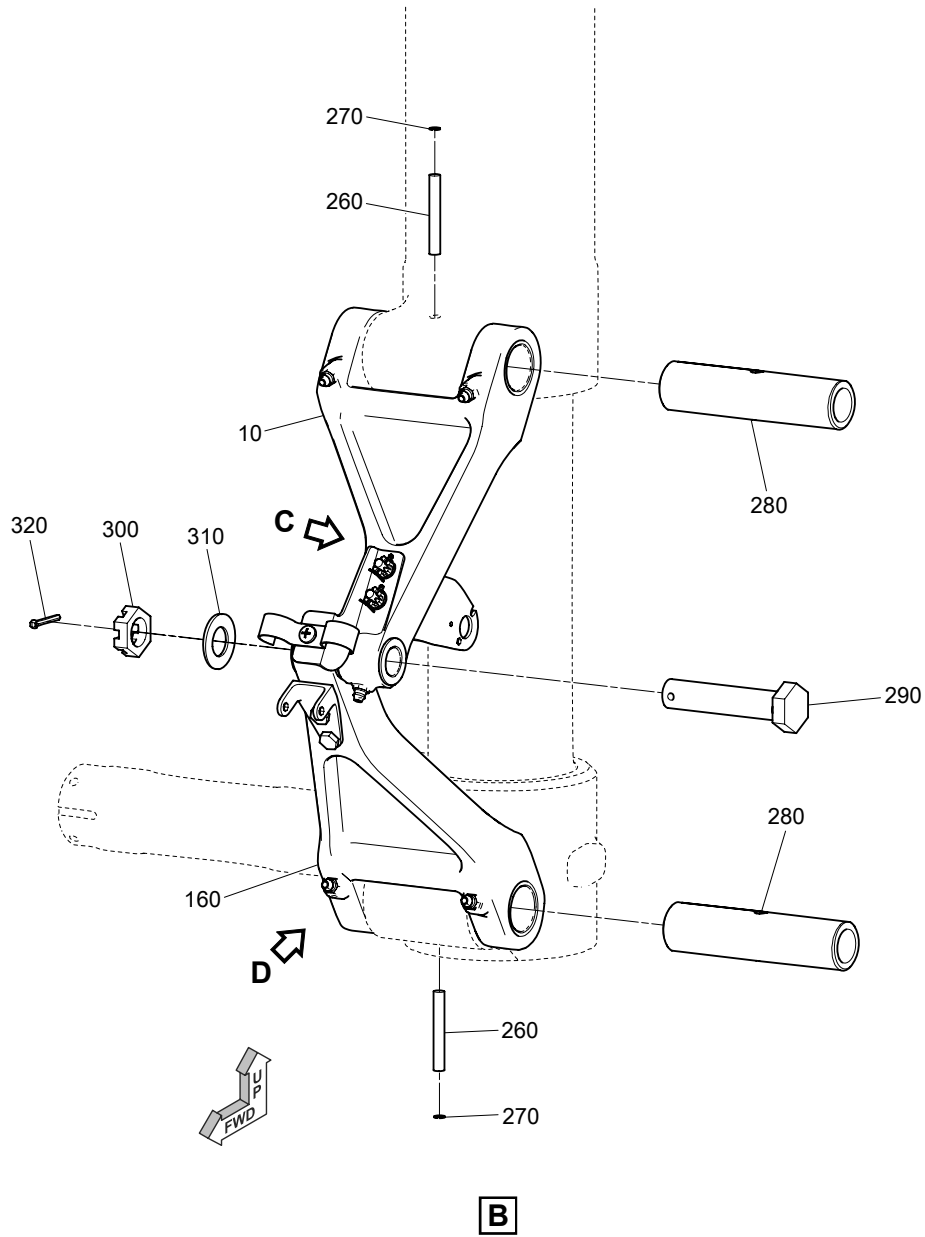
A

MAIN LANDING GEAR
FIGURE 12A SHEET 1

EFFECTIVITY: All

32-10-02

C3D1
ILLUSTRATED PARTS CATALOG



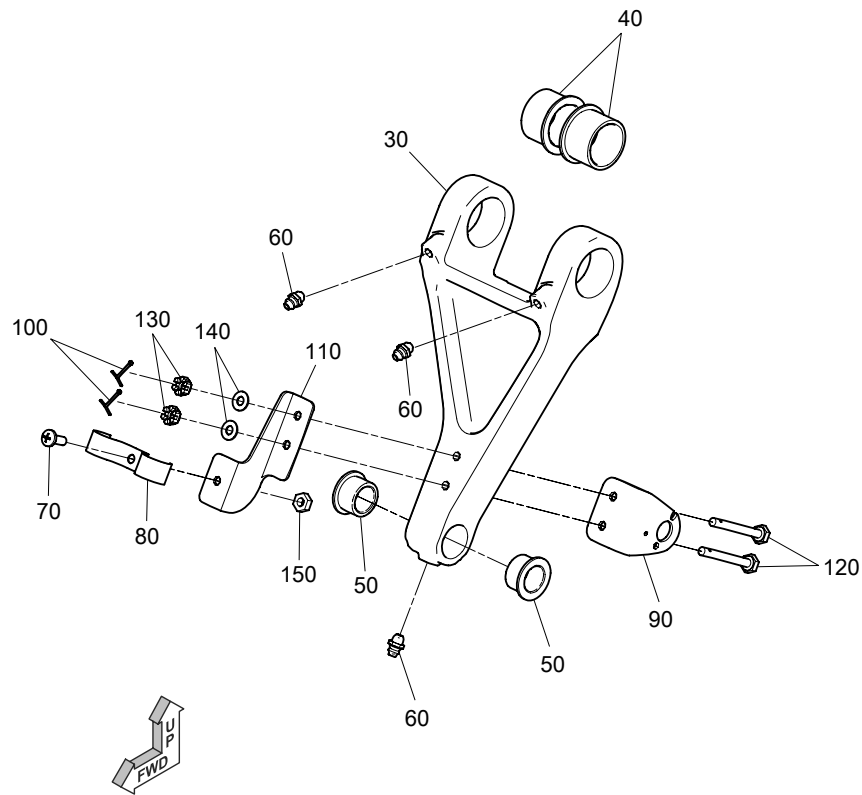
MAIN LANDING GEAR
FIGURE 12A SHEET 2

EFFECTIVITY: All

32-10-02

C3D1

ILLUSTRATED PARTS CATALOG



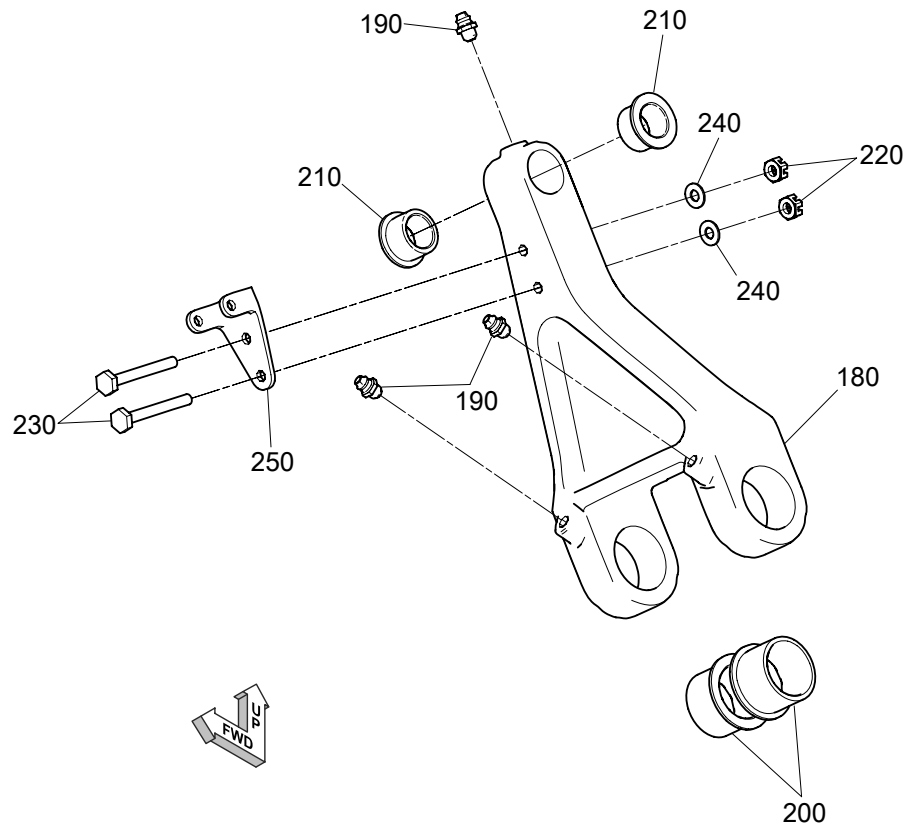
C

MAIN LANDING GEAR
FIGURE 12A SHEET 3

EFFECTIVITY: All

32-10-02

C3D1
ILLUSTRATED PARTS CATALOG



D

MAIN LANDING GEAR
FIGURE 12A SHEET 4

EFFECTIVITY: All

32-10-02

C3D1
ILLUSTRATED PARTS CATALOG

FIG-ITEM	PART NUMBER	NOMENCLATURE	EFFECT FROM TO	UNITS PER ASSY
		1234567		
12A-001	NHA	MAIN LANDING GEAR		RF
010	098-954-566	.UPPER ASSY		1
020	123-000-001	..UPPER TORQUE LINK ASSY		1
030	DPA759HJD4F5	...UPPER TORQUE LINK		1
040	BACB6GG63A0	...BUSHING		2
050	BACB1KKFTG5	...BUSHING		2
060	NAG72040JK84	...GREASE ZERK		3
070	SSA-520960-2	..SCREW		1
080	CP34FDST876-01	..CLAMP		1
090	SB23FRGH760-01	..SWITCH BRACKET		1
100	BACP26BC42A10P	..LINK PIN		2
110	SB69HLJK190-03	..STANDOFF BRACKET		1
120	BSA-210940-1	..BOLT		2
130	BACN20ZR7DE	..NUT		2
140	NAS1362D0734J	..WASHER		2
150	BACN30ZR8KR	..NUT		1
160	241-879-217	.LOWER ASSY		1
170	123-000-002	..LOWER TORQUE LINK ASSY		1
180	DPA759HJD4F5	...UPPER TORQUE LINK		1
190	NAG72040JK84	...GREASE ZERK		3
200	BACB6GG63A0	...BUSHING		2
210	BACB1KKFTG5	...BUSHING		2
220	BACN20XP7CD	..NUT		2
230	BACB40KL4C01	..BOLT		2
240	BWT65T07321	..WASHER		2
250	PF69HLJK190-05	...SWITCH TERMINAL BRACKET		1
260	BACP16BC02A10P	.SPRING PIN		2
270	300W028	.SAFETY WIRE		2
280	BACP26BC42A10P	.LINK PIN		2
290	BSA-523657-3	.BOLT		1
300	BACN20ZR7DF	.NUT		1
310	NAS2364F0846M	.WASHER		1
320	BACP27FD05A67G	.COTTER PIN		1

- ITEM NOT ILLUSTRATED

EFFECTIVITY: All

32-10-02

Page 5 of 5
Feb 06/15