

MAIN LANDING GEAR TORQUE LINKS - Illustrated parts data

DMC: C3D-A-32-10-02-01A-941A-D

Title: MAIN LANDING GEAR TORQUE LINKS - Illustrated parts data

Issue no: 000 new

Issue Date: 2015-02-06

Language: en/US

Security classification : Class01

Responsible partner company: None.

Originator: None.

Applicability

 Model 412CF

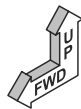
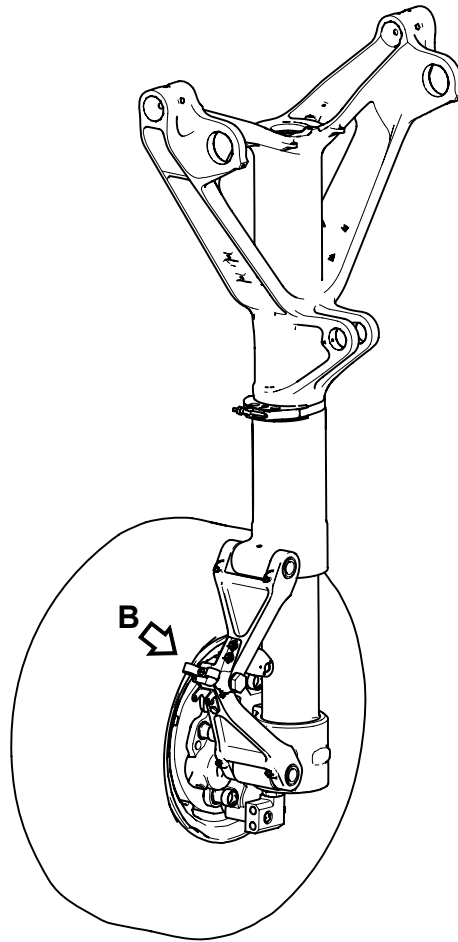
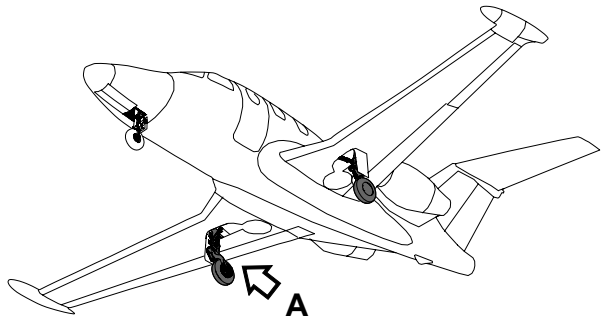
 Manufacturer

QA: Unverified

Intentionally left blank

MAIN LANDING GEAR TORQUE LINKS - Illustrated parts data

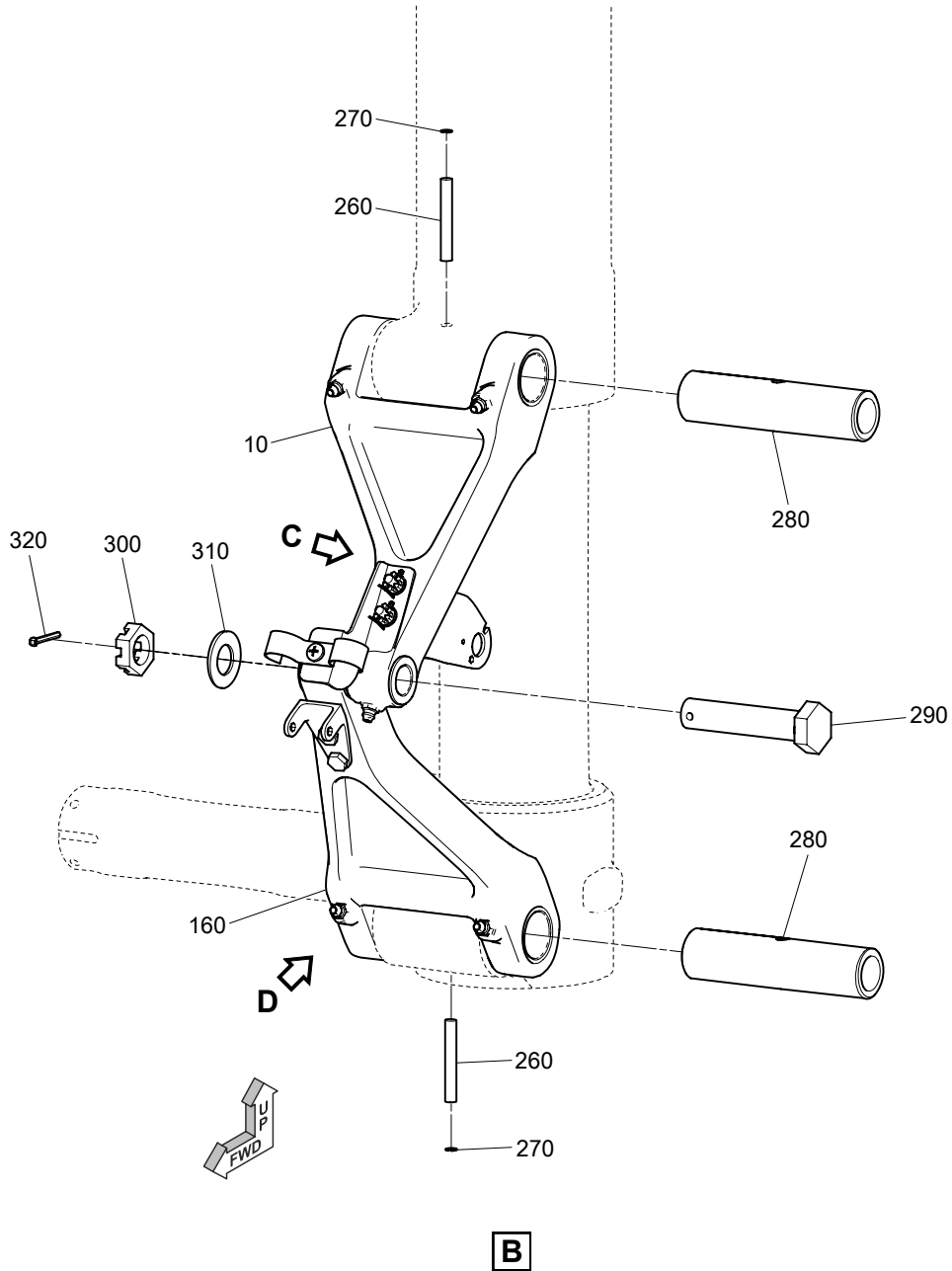
Table of Contents	Page
List of Figures	Page
1	MAIN LANDING GEAR TORQUE LINKS..... 2



A

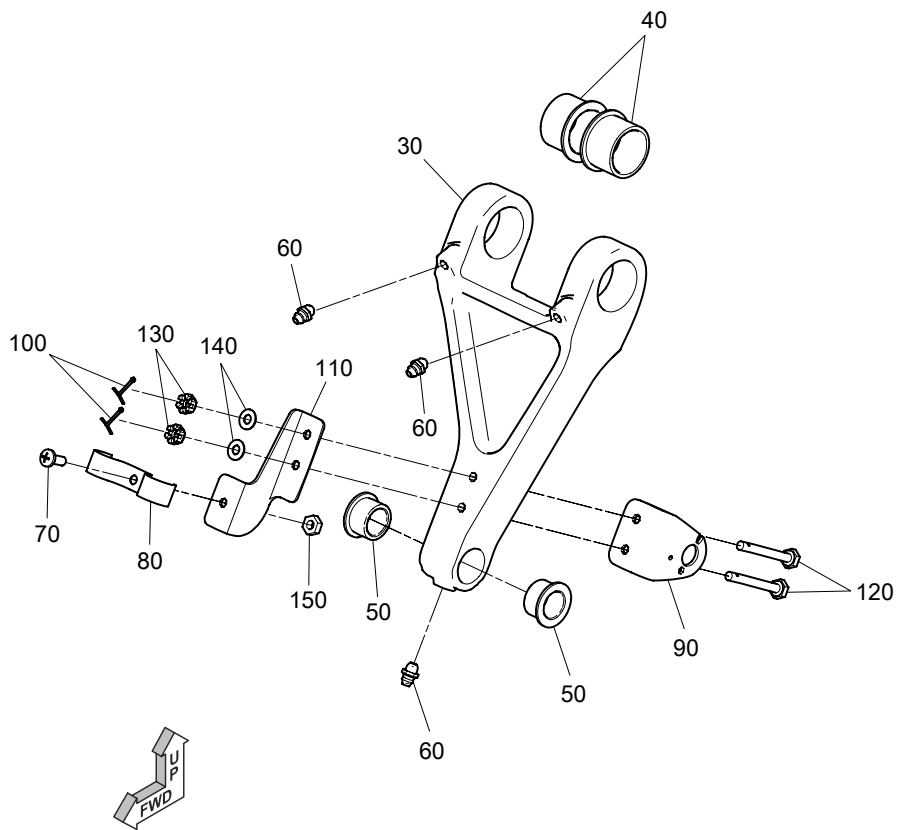
ICN-C3D-A-321002-0-00000-00001-A-01-1

Figure 1 MAIN LANDING GEAR TORQUE LINKS - (Sheet 1 of 04)



ICN-C3D-A-321002-0-00000-00002-A-01-1

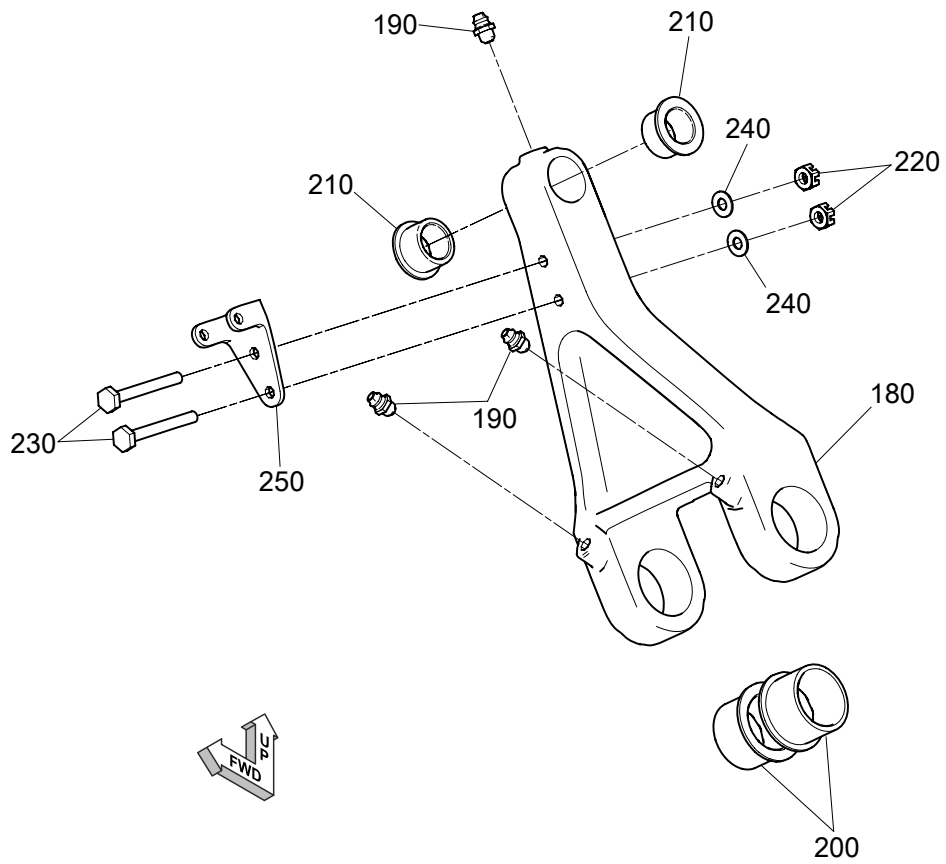
Figure 1 MAIN LANDING GEAR TORQUE LINKS - (Sheet 2 of 04)



C

ICN-C3D-A-321002-0-00000-00003-A-01-1

Figure 1 MAIN LANDING GEAR TORQUE LINKS - (Sheet 3 of 04)



D

ICN-C3D-A-321002-0-00000-00004-A-01-1

Figure 1 MAIN LANDING GEAR TORQUE LINKS - (Sheet 4 of 04)

UNCLASSIFIED

Fig.	Item	Units per assembly/ unit of issue	NCAGE	Part No NATO Stock Number	Nomenclature	*Usable on code assy • MV/Effect	ICY
1							
	1	RF	01673	NHA	MAIN LANDING GEAR		
	10	1	02750	098-954-566	• UPPER ASSY		
	20	1	03024	123-000-001	•• UPPER TORQUE LINK ASSY		
	30	1	00672	DPA759HJD4F5	••• UPPER TORQUE LINK		
	40	2	03350	BACB6GG63A0	••• BUSHING		
	50	2	03350	BACB1KKFTG5	••• BUSHING		
	60	3	03818	NAG72040JK84	••• GREASE ZERK		
	70	1	03024	SSA-520960-2	•• SCREW		
	80	1	03024	CP34FDST876-01	•• CLAMP		
	90	1	02697	SB23FRGH760-01	•• SWITCH BRACKET		
	100	2	02101	BACP26BC42A10P	•• LINK PIN		
	110	1	03024	SB69HLJK190-03	•• STANDOFF BRACKET		
	120	2	03350	BSA-210940-1	•• BOLT		
	130	2	00922	BACN20ZR7DE	•• NUT		
	140	2	03024	NAS1362D0734J	•• WASHER		
	150	1	03350	BACN30ZR8KR	•• NUT		
	160	1	03350	241-879-217	• LOWER ASSY		
	170	1	02750	123-000-002	•• LOWER TORQUE LINK ASSY		
	180	1	00672	DPA759HJD4F5	••• UPPER TORQUE LINK		
	190	3	03818	NAG72040JK84	••• GREASE ZERK		
	200	2	03350	BACB6GG63A0	••• BUSHING		
	210	2	03350	BACB1KKFTG5	••• BUSHING		
	220	2	02750	BACN20XP7CD	•• NUT		
	230	2	02750	BACB40KL4C01	•• BOLT		

UNCLASSIFIED

Fig.	Item	Units per assembly/ unit of issue	NCAGE	Part No NATO Stock Number	Nomenclature	*Usable on ICY code assy • MV/Effect
	240	2	03818	BWT65T07321	•• WASHER	
	250	1	00922	PF69HLJK190-05	•• SWITCH TERMINAL BRACKET	
	260	2	02697	BACP16BC02A10P	• SPRING PIN	
	270	2	03024	300W028	• SAFETY WIRE	
	280	2	02101	BACP26BC42A10P	• LINK PIN	
	290	1	01673	BSA-523657-3	• BOLT	
	300	1	01673	BACN20ZR7DF	• NUT	
	310	1	01673	NAS2364F0846M	• WASHER	
	320	1	03024	BACP27FD05A67G	• COTTER PIN 11	

Intentionally left blank