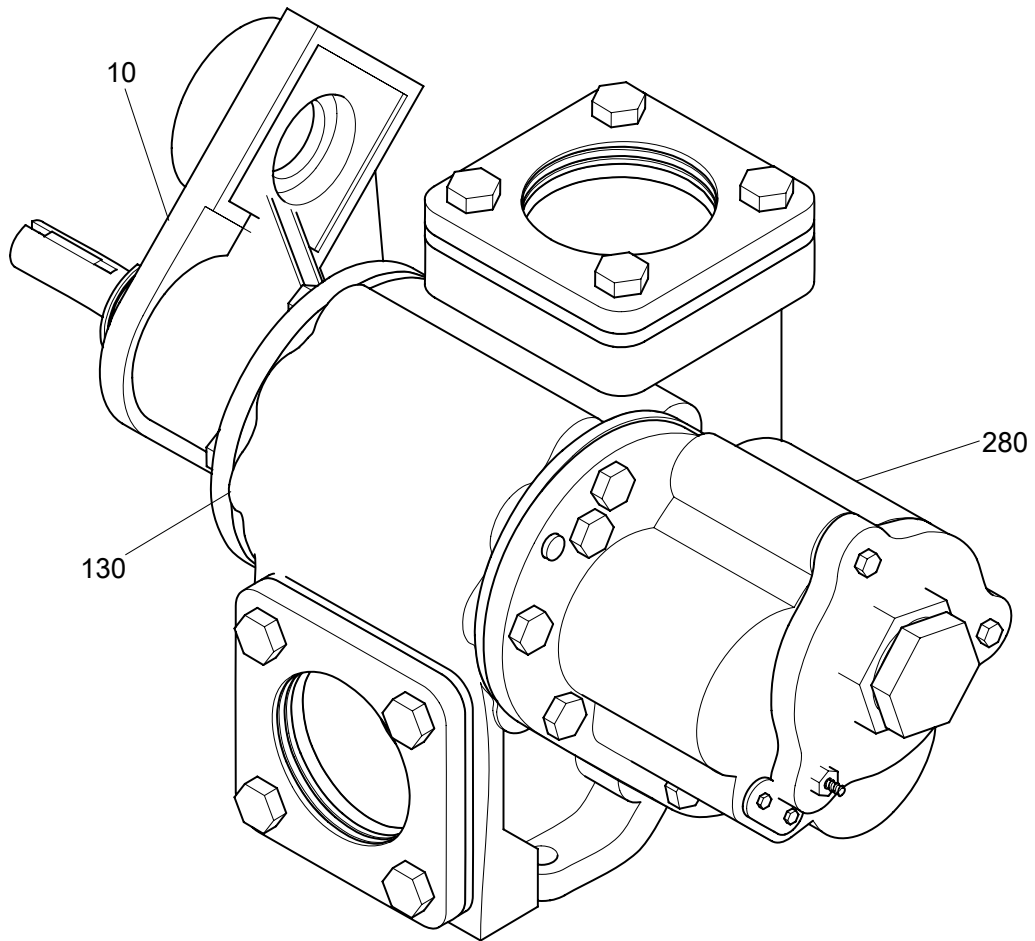
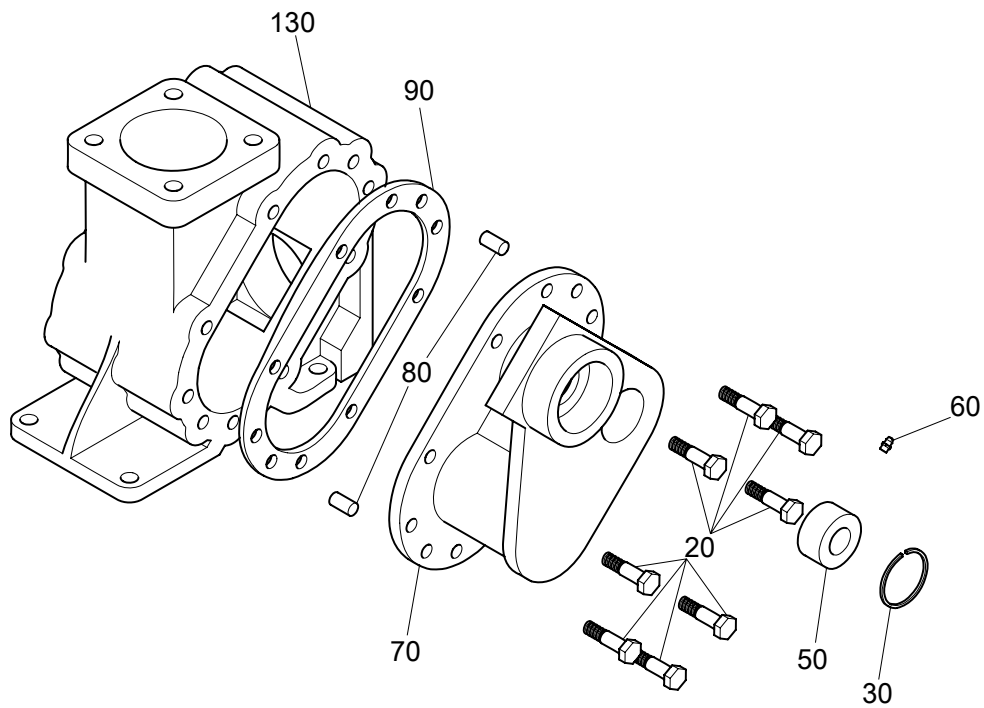


Pump IPC - Complete



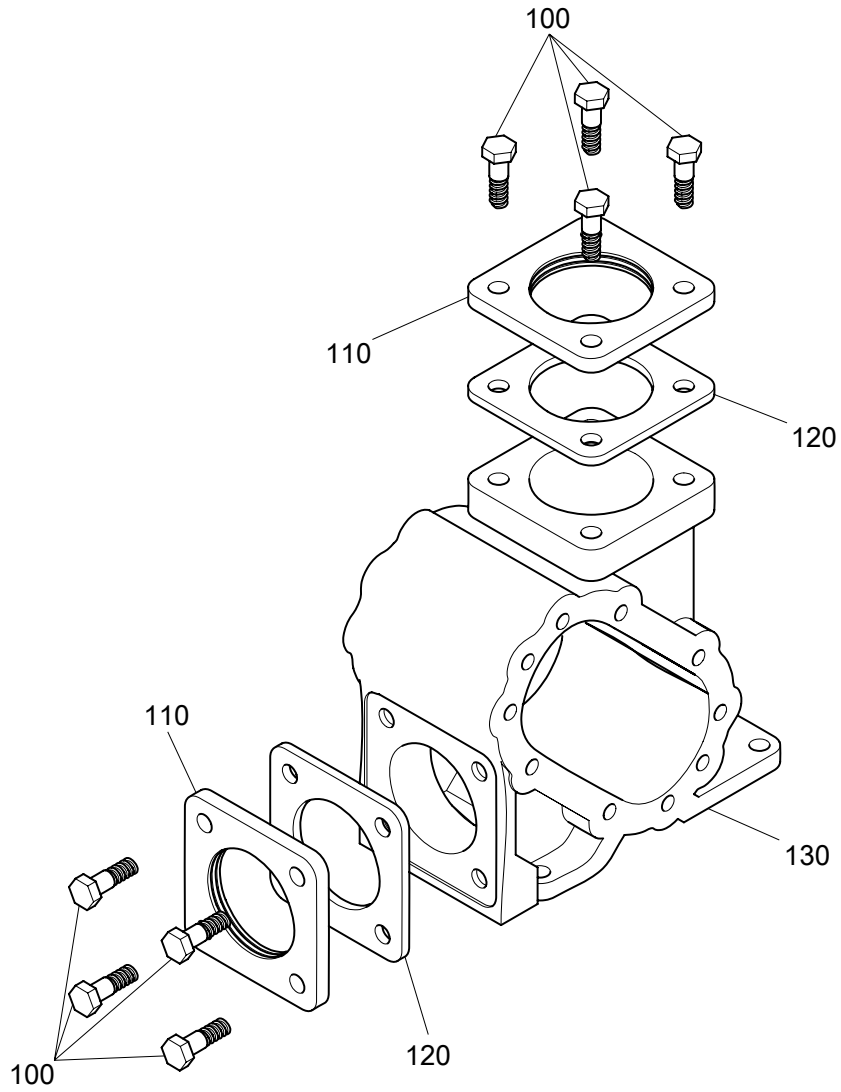
Assembled View

Pump IPC - Complete



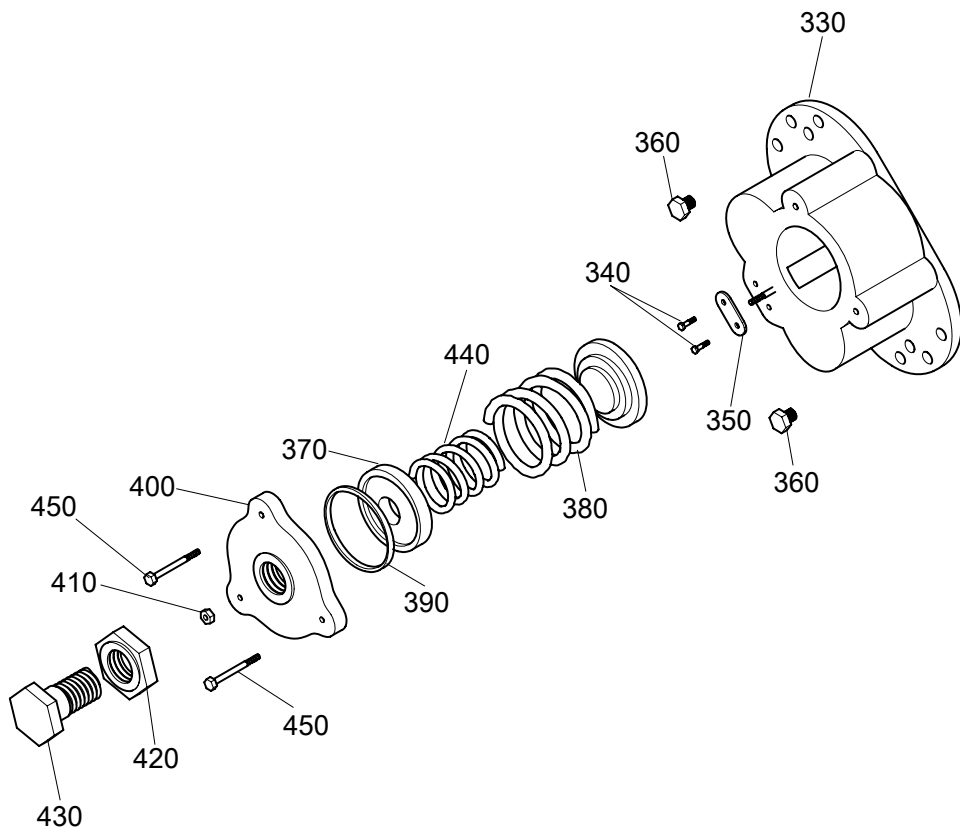
Backplate Assy View

Pump IPC - Complete



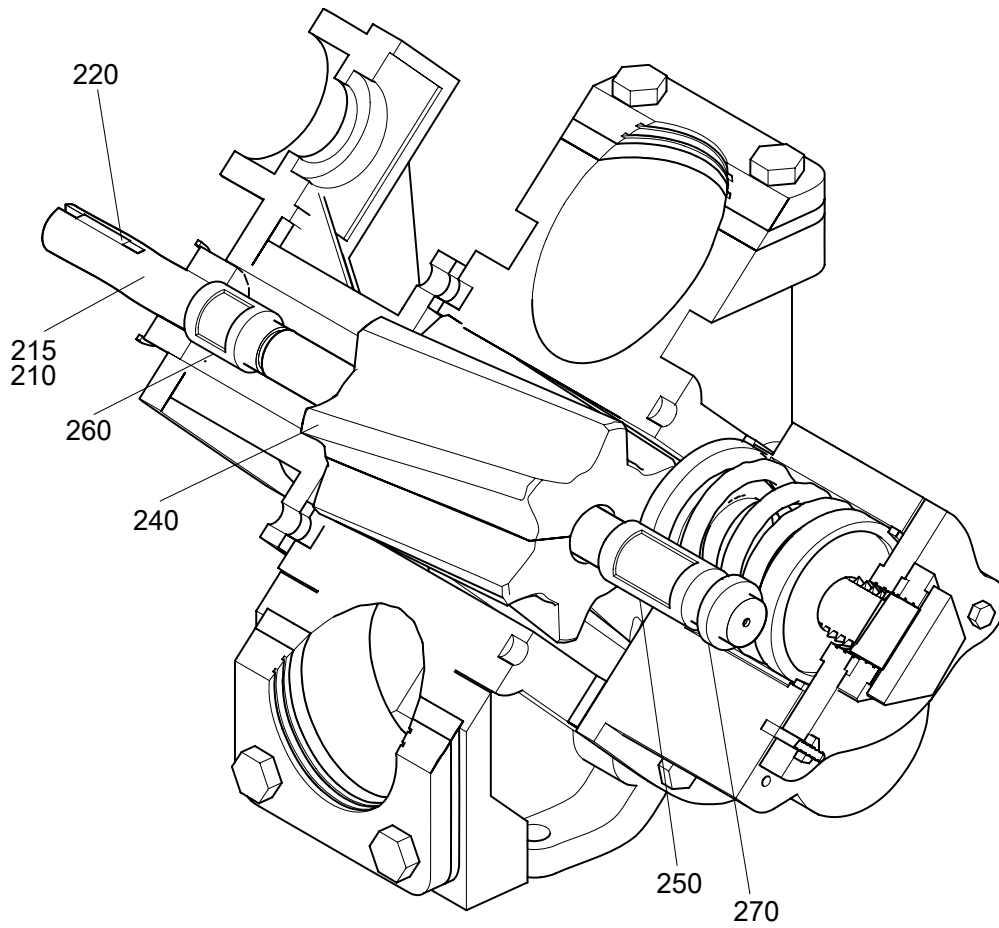
Casing View

Pump IPC - Complete



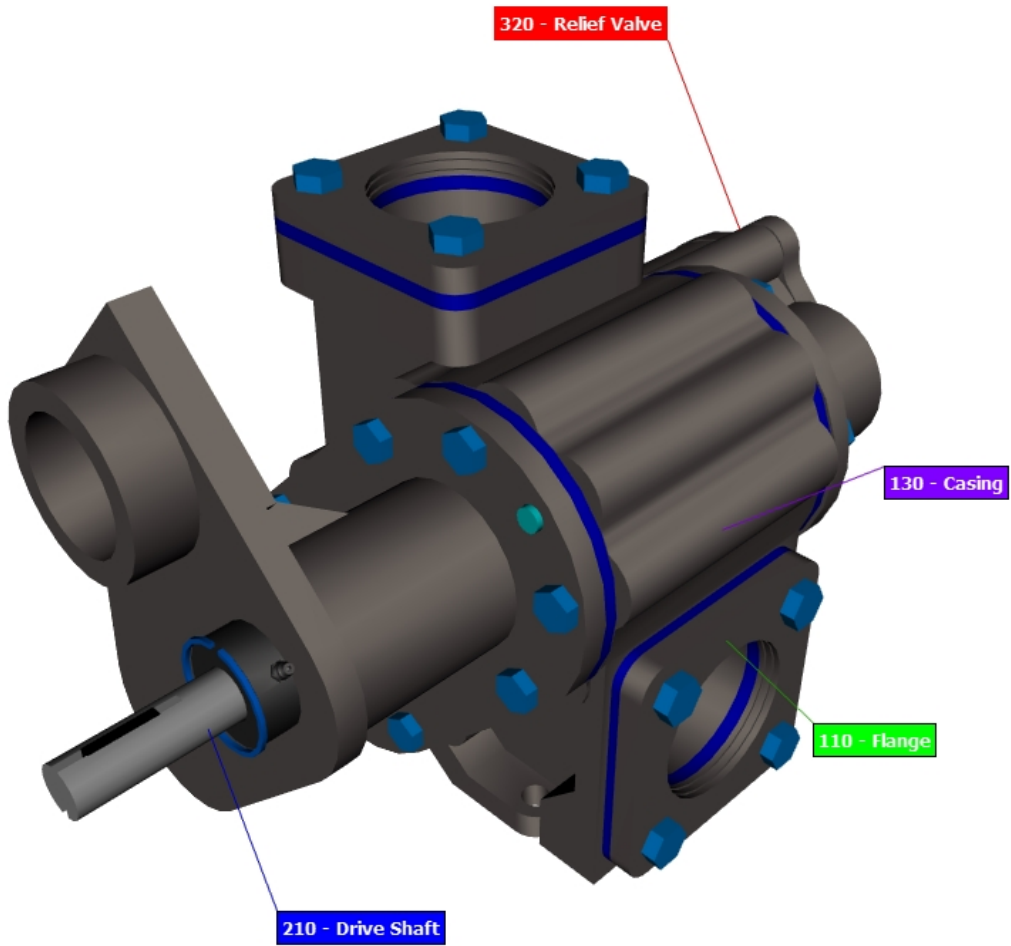
Relief Valve Assy View

Pump IPC - Complete



Sectioned View

Pump IPC - Complete



Callout View

Pump IPC - Complete

ITEM	DESCRIPTION	PART NO.	QTY	INFO
1	Pump Assy	PM005300	RF	
10	•Back Plate Assy	PM005301	1	
20	••Bolt, Hex Head	BLT000324	8	
30	••Retaining ring	PM005302	1	
40	••Ball Bearing Assy	PM005303	1	
50	•••Ball Bearing	PM005305	1	
60	•••Zerk Fitting	PM005310	1	
70	••Backplate	PM005320	1	
80	••Dowel Pin	DP00356	2	
90	••Gasket, Case	PM005330	1	
100	•Bolt, Hex Head	BLT000350	8	
110	•Flange, Straight	PM005340	2	
120	•Gasket, Flange	PM005345	2	
130	•Casing	PM005350	1	
140	•Idler Shaft Assy	PM005500	1	
150	••Shaft, Idler	SH40020	1	
160	••Key	SH40140	1	
170	••Gear, Right Hand	SH40500	1	
180	••Bushing, Long	PM005510	2	
190	••Washer, Expansion	PM005530	2	
200	•Drive Shaft Assy	PM005501	1	
210	••Shaft, Drive	SH40120	1	
215	••Shaft, Drive - Rev. B	SH40121	1	
220	••Key	SH40040	1	
230	••Key	SH40140	1	
240	••Gear, Left Hand	SH40400	1	
250	••Bushing, Long	PM005510	1	
260	••Bushing, Short	PM005520	1	
270	••Washer, Expansion	PM005530	1	
280	•Face Plate Assy	PM005600	1	
290	••Bolt, Hex Head	BLT000324	6	
300	••Dowel Pin	DP00356	2	
310	••Gasket, Case	PM005330	1	
320	••Face Plate Assembly, Relief Valve	PM005400	1	
330	•••Face Plate	PM005410	1	
340	•••Drive Screw	PM005420	2	
350	•••Name Plate	PM005430	1	
360	•••Pipe Plug	PM005440	2	
370	•••Poppet and Spring	PM005450	1	
380	•••Spring, Standard	PM005460	1	
390	•••O-Ring, Buna	PM005470	1	
400	•••Plug Cap	PM005480	1	
410	•••Nut	NT3456	1	
420	•••Nut, Lock and Seal	NT4850	1	
430	•••Screw, Adjustment	BLT005532	1	
440	•••Spring, High Pressure	PM5490	1	

Pump IPC - Complete

ITEM	DESCRIPTION	PART NO.	QTY	INFO
450	•••Bolt, Hex Head	BLT003345	2	