

## Pump Maintenance Instruction -

**DMC:** PUMP-A-73-20-03-00AA-920D-A

**Language:** en/US

**Issue no:** 001 new

**Issue Date:** 2015-02-05

**Title:** Pump Maintenance Instruction -

**Security classification :** Class01

**Responsible partner company:**

**Originator:**

**Applicability:**

**QA:** Unverified

Intentionally left blank

## Pump Maintenance Instruction -

<b>Table of Contents</b>		Page
	Preliminary Requirements.....	1
	Procedure.....	1
<b>List of Figures</b>		Page
1	Pump Cross-Section.....	3
2	Pump Gear Wear.....	4

### *Preliminary Requirements*

#### Required Conditions

*Table 1 Required Conditions*

Title	Data Module
None	

#### Support Equipment

*Table 2 Support Equipment*

Nomenclature	Identification No.	Qty	Remarks
None			

#### Consumables, Materials, and Expendables

*Table 3 Consumables, Materials, and Expendables*

Nomenclature	Identification No.	Qty	Remarks
None			

#### Spares

*Table 4 Spares*

Nomenclature	Identification No.	Qty	Remarks
None			

#### Safety Conditions

None

#### *Procedure*

- 1 Remove the Pump Valve Housing (1, Fig. 1 ) using number 15 wrench (Fig. 1 )
- 2 Inspect the rotors (4, Fig. 1 , 5, Fig. 1 ) for cracks and fouling. (Fig. 2 )

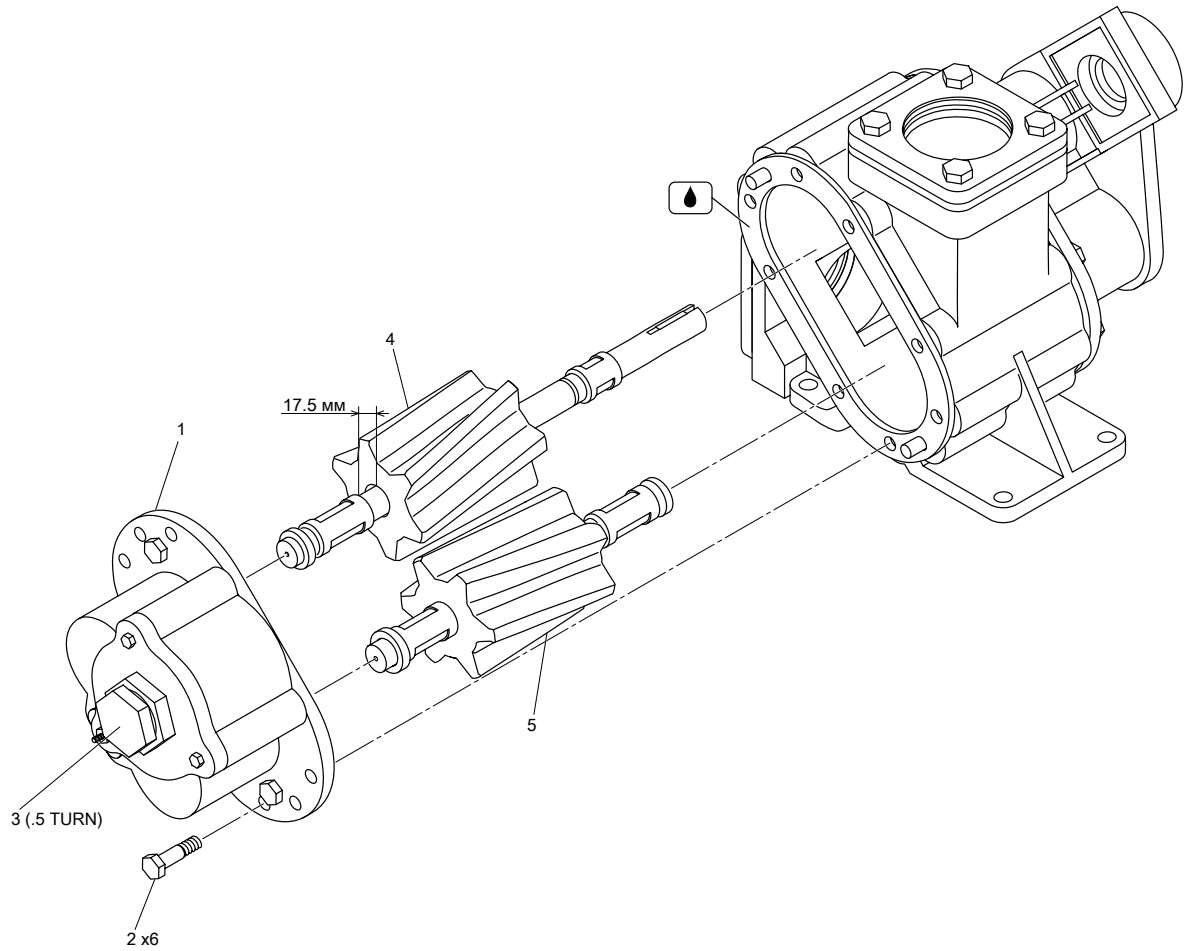
Replace as appropriate using Maintenance Procedure JC0346.

- 3 Prior to re-installation of the Pump Valve Housing, ensure the gasket is resealed with the correct gasket sealant.
- 4 Reinstall the Pump Valve Housing.
- 5 Reinstall the Pump Valve.

**Note**

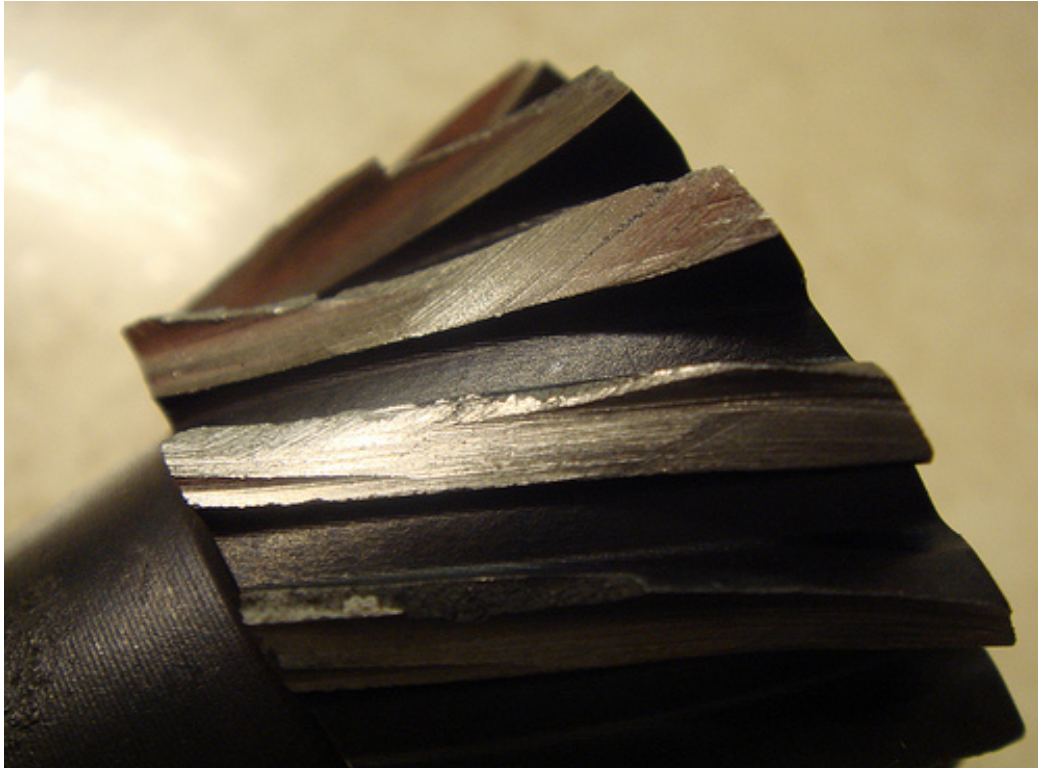
Ensure that all bolts (2, Fig. 1 ) are tightened to 25nm.

- 6 Loosen the pump adjuster (3, Fig. 1 ) by .5 turn.



ICN-IMAGE002

Figure 1 Pump Cross-Section



ICN-IMAGE001

*Figure 2 Pump Gear Wear*

**Required Conditions**

*Table 5 Required Conditions*

---

Title	Data Module
None	

---