

SunFlower Drone - Disassembling

DMC: SUNFLOWER-A-20-00-10-01A-920A-A

Language: en/EN

Issue no: 001 new

Issue Date: 2018-10-01

Title: SunFlower Drone - Disassembling

Security classification : Class01

Responsible partner company: Cortona3D/00000

Originator: Cortona3D/00000

Applicability:

QA: Unverified

Intentionally left blank

SunFlower Drone - Disassembling

Table of Contents	Page
Preliminary Requirements.....	1
Procedure.....	2

List of Figures	Page
1 SunFlower drone main disassembling.....	3
2 Bottom Body Hammock Complex.....	4
3 Fuselage Hammock Complex.....	5
4 Powertrain.....	6

Preliminary Requirements

Required Conditions

Table 1 Required Conditions

Title	Data Module
None	

Support Equipment

Table 2 Support Equipment

Name	Identification No.	Qty	Remarks
Work stand	Pt. No : SFD-001-13 NSCM: WS-15876	1	
Turn-screw	Pt. No : BSK-TLST-005-15 NSCM: TS-14759	1	
Set of Allen wrenches	Pt. No : BSK-TLST-001-13 NSCM: SAW-17890	1	

Consumables, Materials, and Expendables

Table 3 Consumables, Materials, and Expendables

Name	Identification No.	Qty	Remarks
None			

Spares

Table 4 Spares

Name	Identification No.	Qty	Remarks
None			

Safety Conditions

WARNING

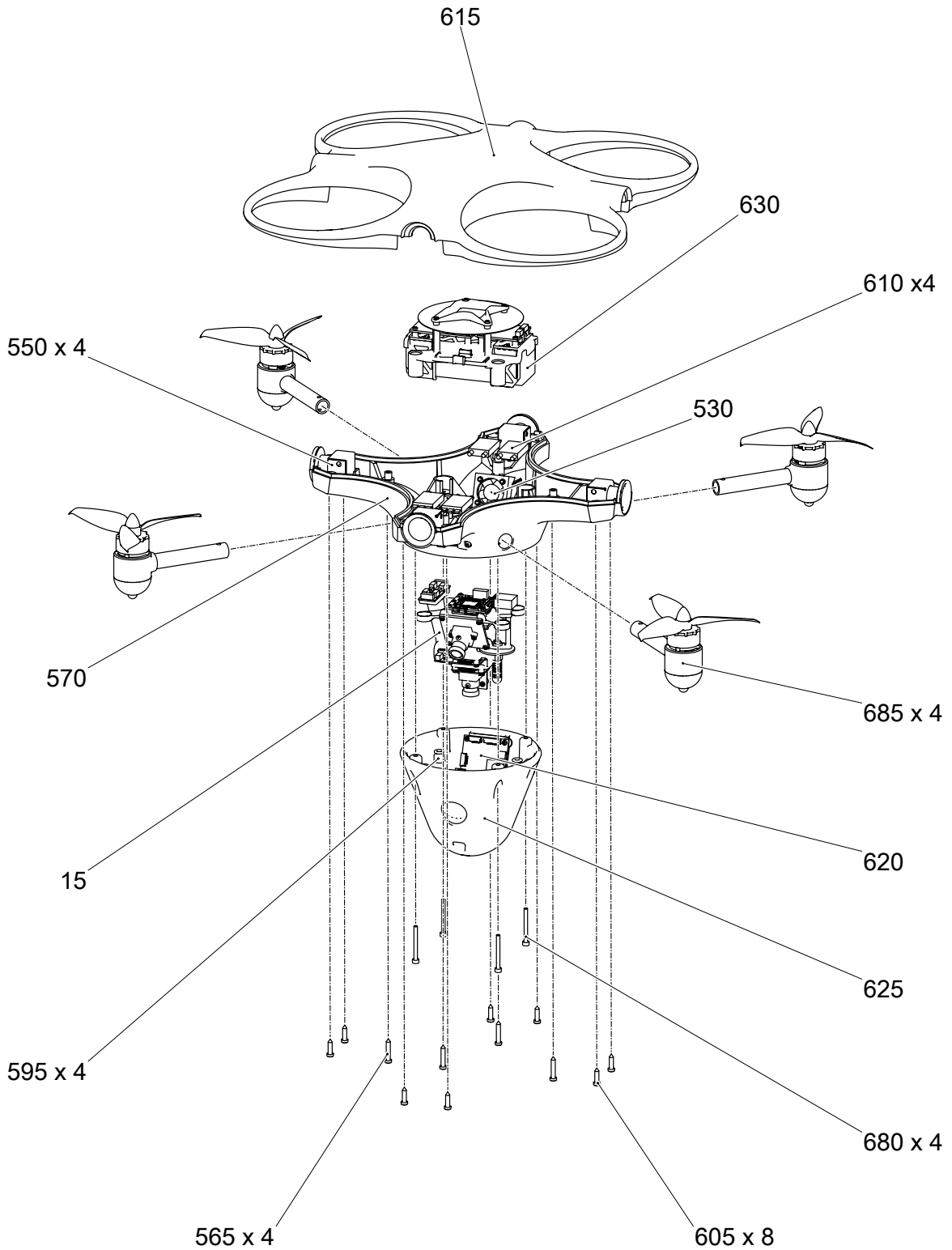
If any damages have been discovered, please immediately stop using it, until it was completely repaired. Please keep a safe distance from the spinning propellers to avoid injury.

CAUTION

Transformers used with the dron are to be regularly examined for damage to the cord, plug, enclosure and other parts, and that, in the event of such damage, the drones must be used with this transformer until the damage has been repaired.

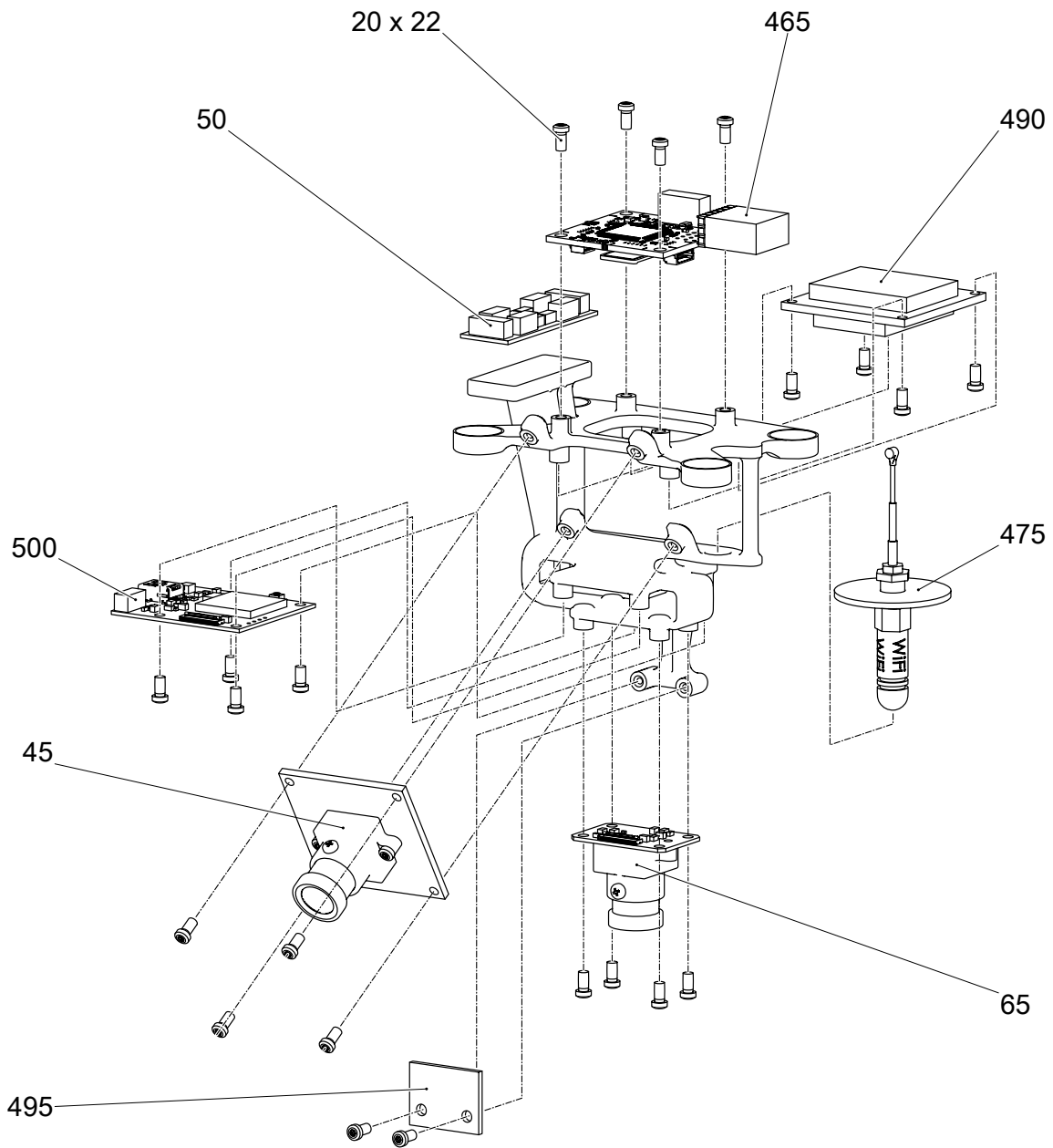
Procedure

- 1 Remove the fuselage bolts (565, 605). Remove the Top Hull (615).
- 2 Remove the Bottom Body bolts (680). Detach the Bottom Body (625).
- 3 Remove the Bottom Body Hammock Complex (15).
- 4 Remove the Bee I2C Block (50). Remove the bolts (20). Remove the Tracking Camera (45) and FCB PixRacer (465). Remove the bolts (20). Remove the Camera (65) and MCU Board (500). Remove the Wi-Fi Antenna (475). Remove the Bee MAG (495).
- 5 Remove the Datalink Module bolts. Remove the Datalink Module (620) and Radiator. Remove the bolts and USB Connector. Remove the Isolators (595).
- 6 Detaching the Power Train (685).
- 7 Remove the Sensors (550). Remove the Speed Controllers (610).
- 8 Detach the the Fuselage Hammock Complex from the fuselage (630).
- 9 Remove the cooler bolts. Remove the Fan Cooler. Remove the Power Switch bolts. Remove the Power Switch.
- 10 Remove the Electro Magnetic Shield bolts (640). Remove the Electro Magnetic Shield (665). Remove the Battery Charging Module (635). Remove the AUAV Power Module (660). Remove the GPS Module (650). Remove the Battery (655).
- 11 Detach the Propeller Cap (735). Remove the Propeller (730). Remove the Pin (740). Remove the motor Cap (695). Remove the Motor bolts (700). Remove the Motor (725).



IMG_01

Figure 1 SunFlower drone main disassembling



IMG_02

Figure 2 Bottom Body Hammock Complex

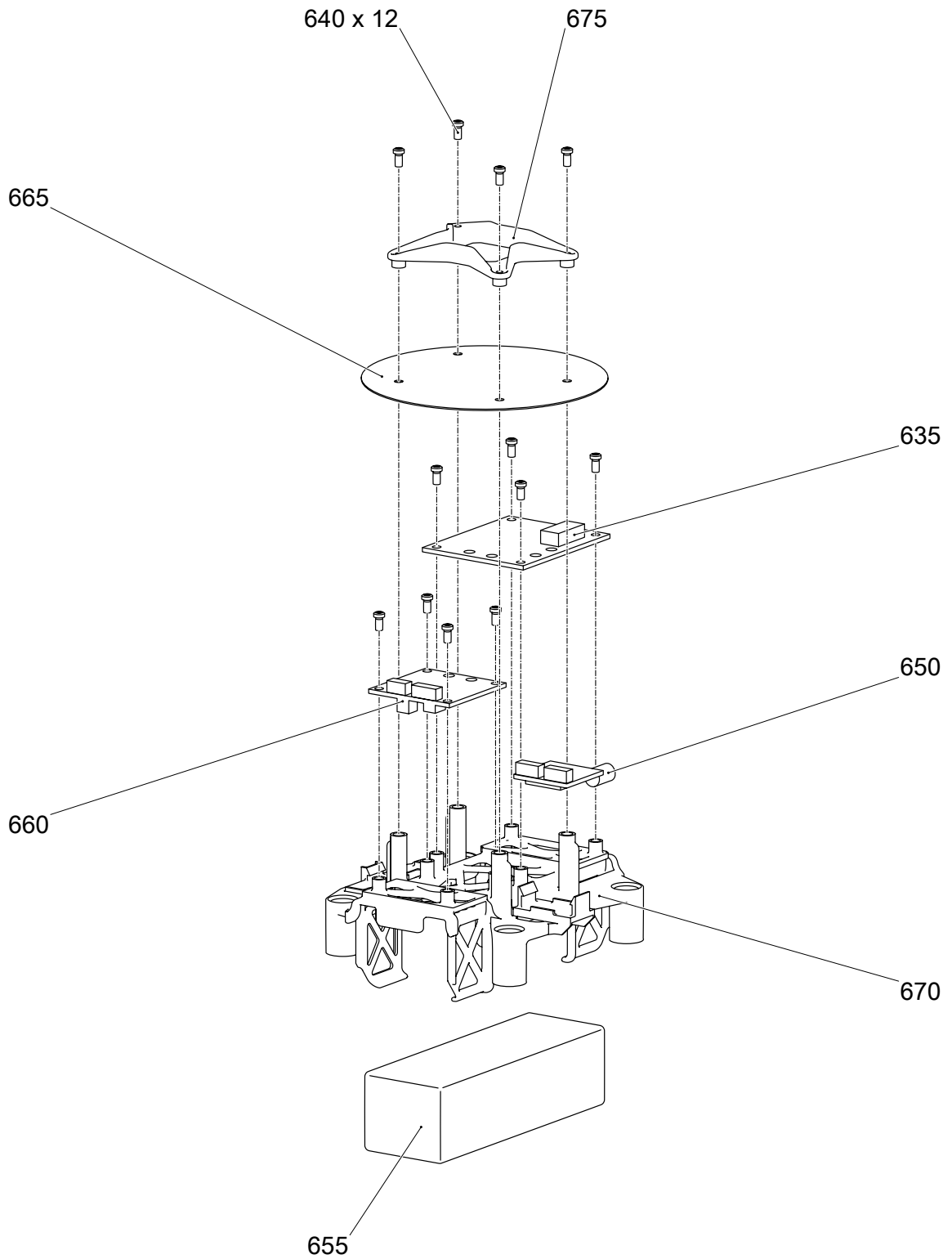
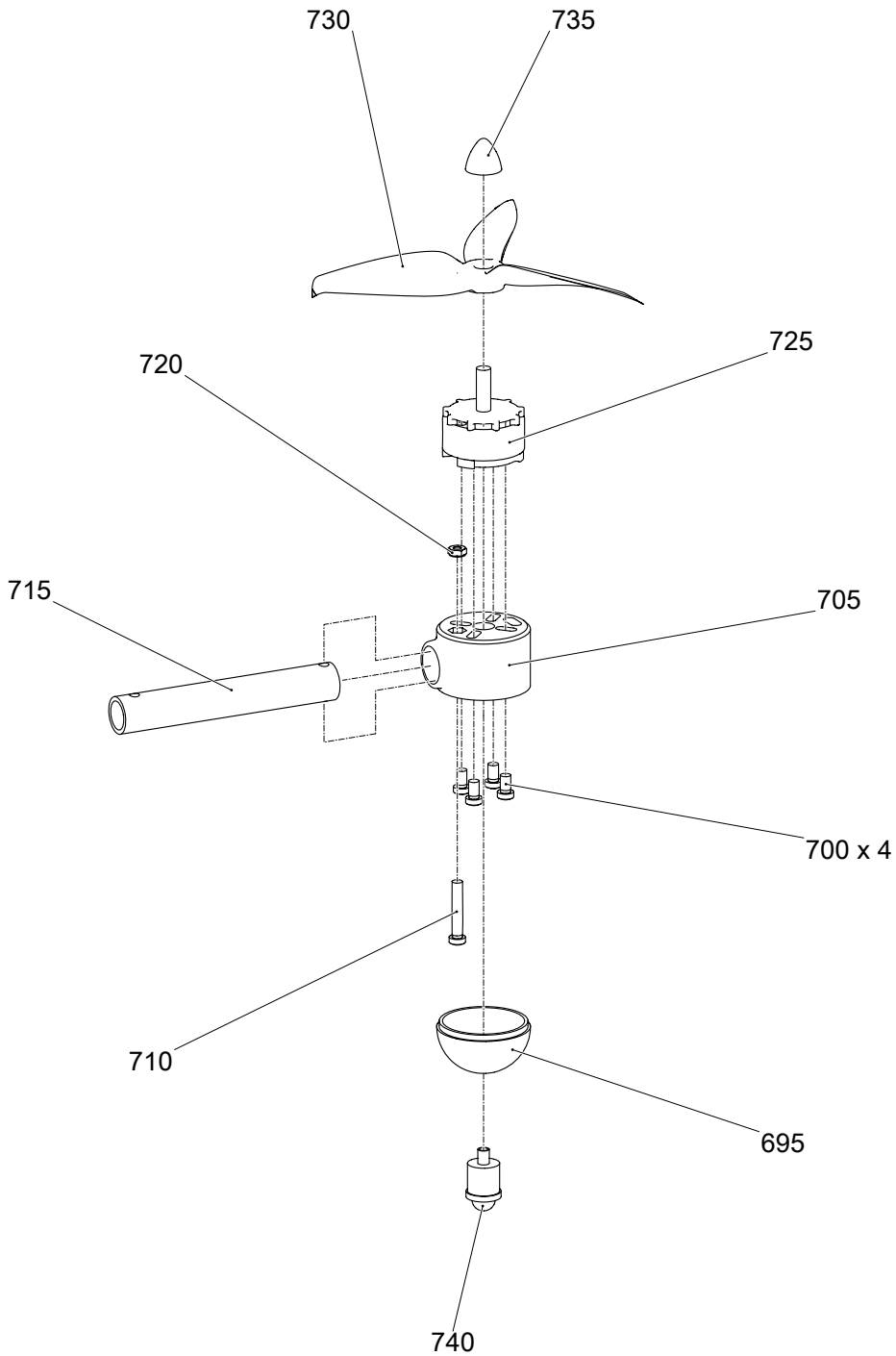


Figure 3 Fuselage Hammock Complex

IMG_03



IMG_04

Figure 4 Powertrain

Required Conditions

Table 5 Required Conditions

Title	Data Module
None	

Intentionally left blank