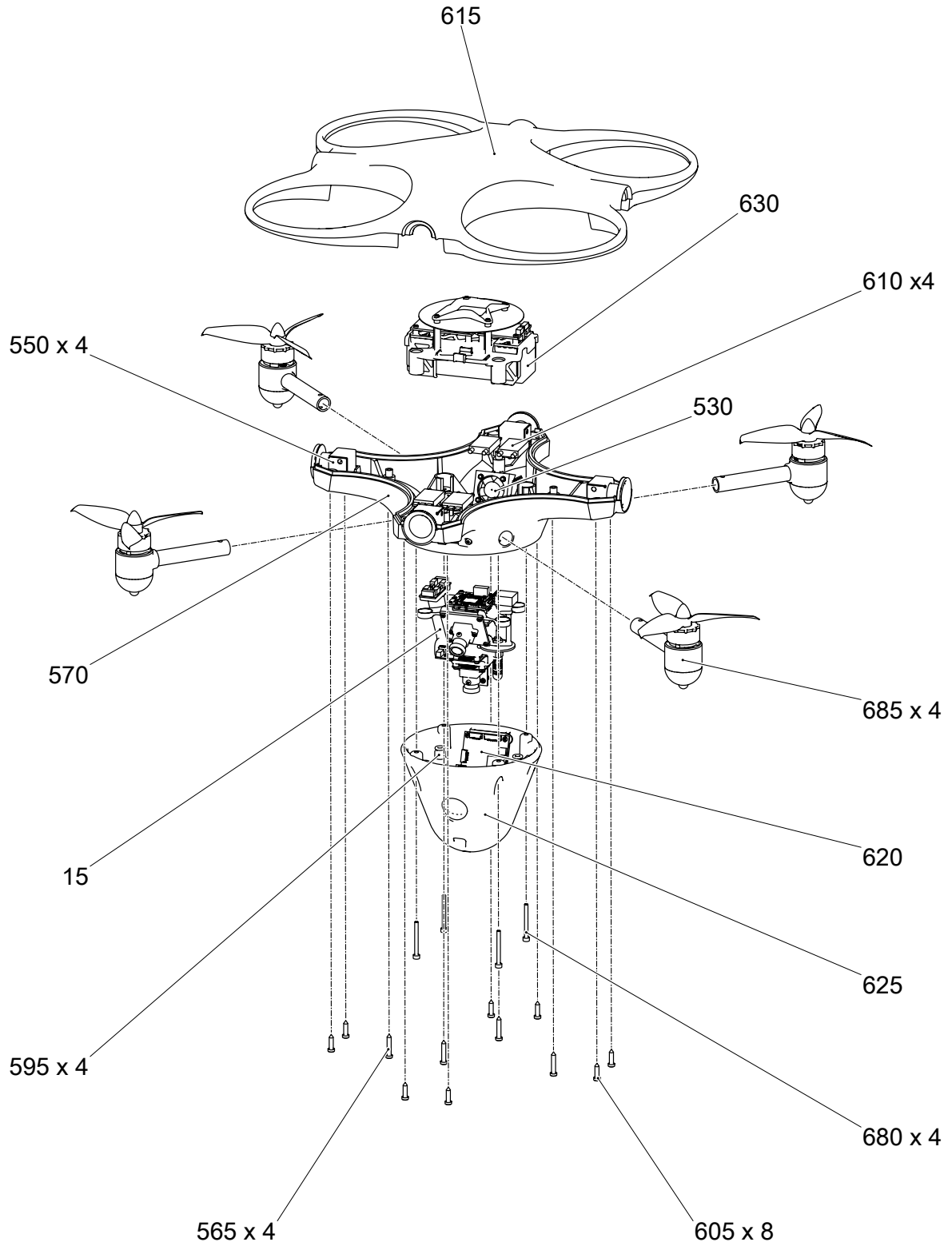
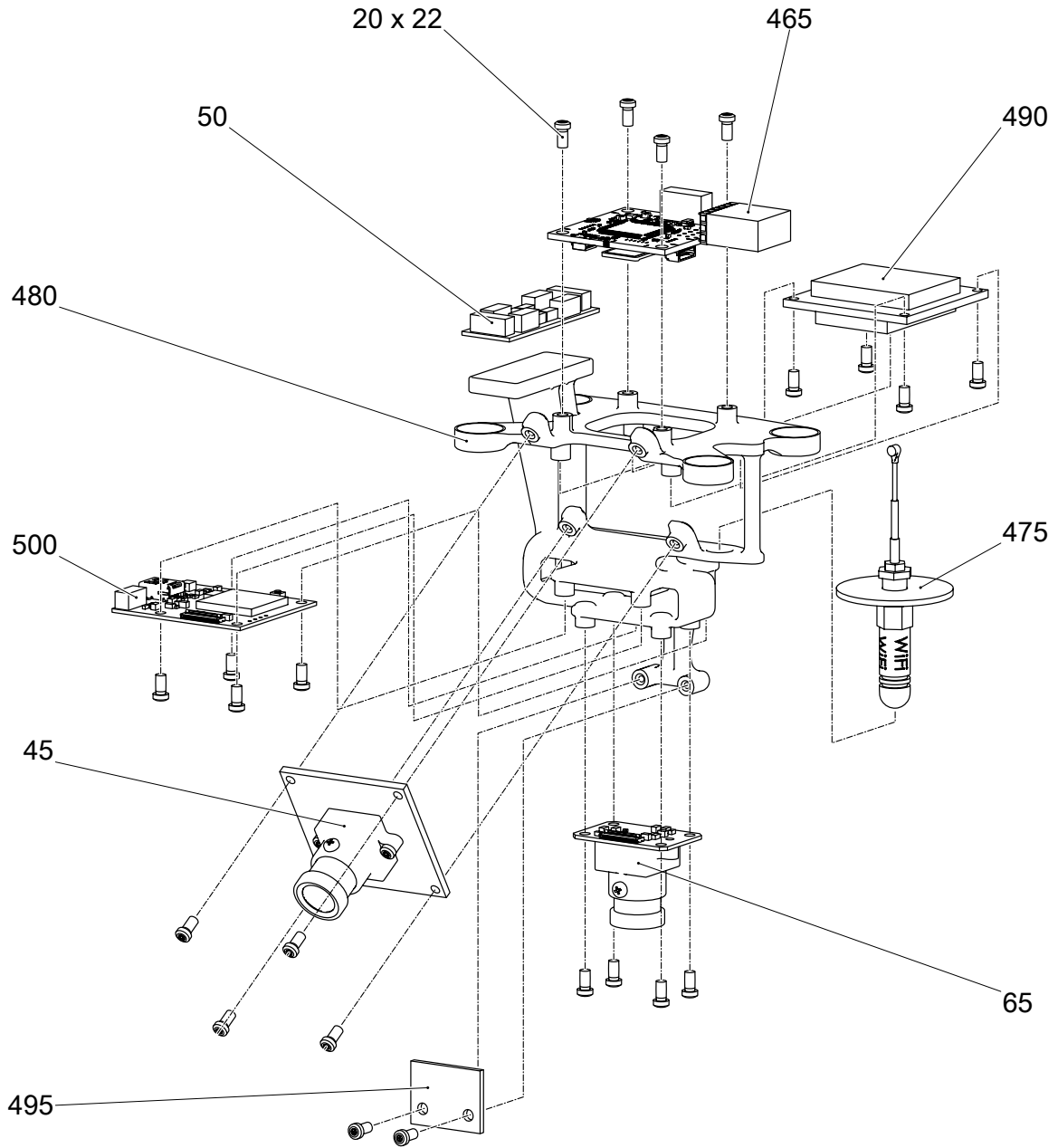


SunFlower (rev. E) Drone Parts Catalog



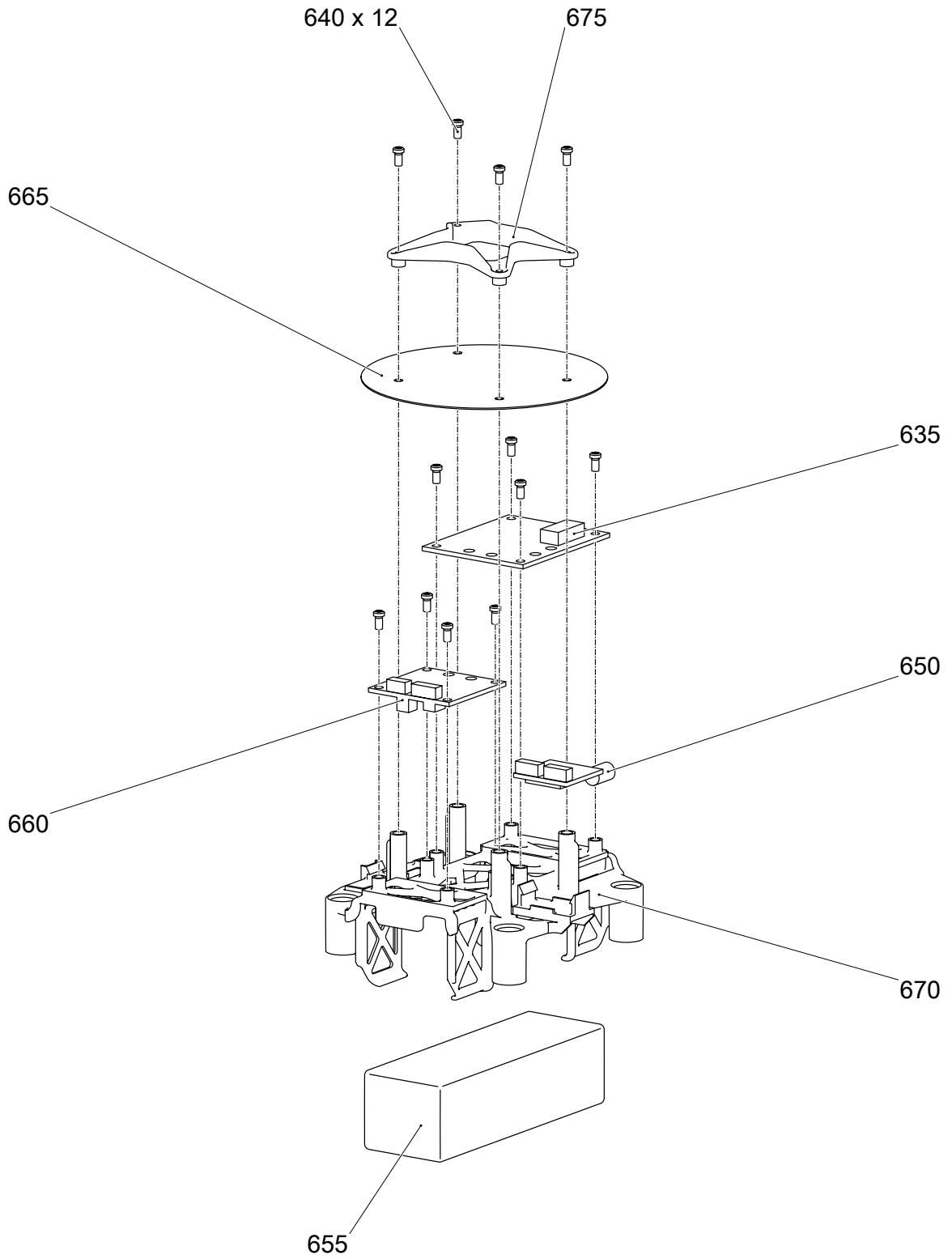
IMG_01

SunFlower (rev. E) Drone Parts Catalog



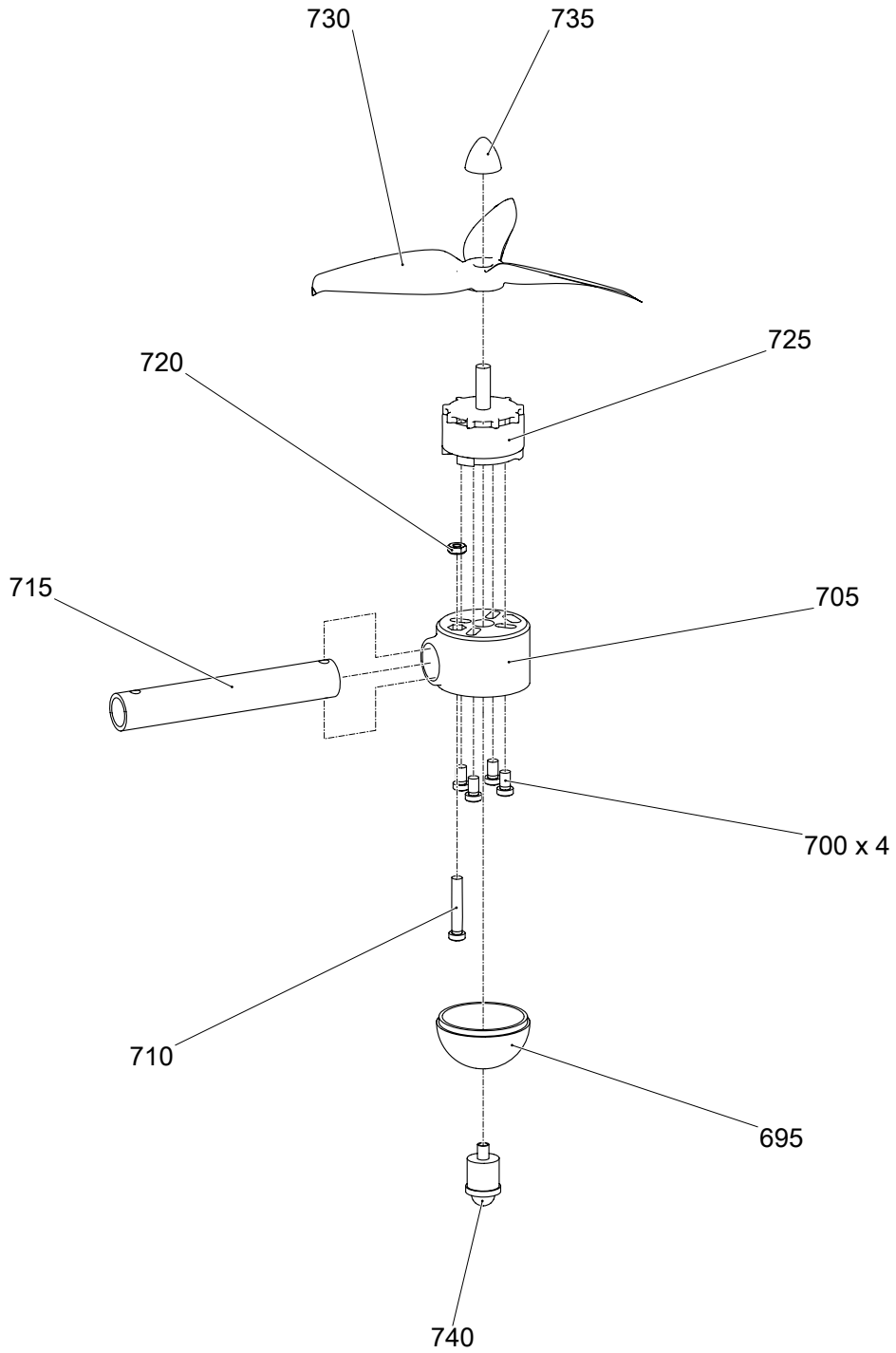
IMG_02

SunFlower (rev. E) Drone Parts Catalog



IMG_03

SunFlower (rev. E) Drone Parts Catalog



IMG_04

SunFlower (rev. E) Drone Parts Catalog

| ITEM | DESCRIPTION | PART NO. | QTY | INFO |
|------|---|--------------------|-----|------|
| 10 | SunFlower_10397 | DRONE.100.10005781 | 1 | |
| 15 | •Hammock Complex | DRONE.100.10005812 | 1 | |
| 20 | ••hexalobular socket pan head_ISO 14583-M2x5x4.5-4.8- N | DRONE.100.10005819 | 24 | |
| 25 | ••Drone_RevE_Camera_FR_1 | DRONE.100.10005820 | 1 | |
| 30 | •••pan head cross recess screw_ISO 7045-M2x4-Z4C_1 | DRONE.100.10005773 | 1 | |
| 35 | •••pixy_lens_D_faut_1 | DRONE.100.10005772 | 1 | |
| 40 | •••Camera_FR_Board_1_1 | DRONE.100.10005747 | 1 | |
| 45 | •••M12_lens_holder_D_faut_1 | DRONE.100.10005822 | 1 | |
| 50 | ••Bee_I2C_1 | DRONE.100.10005771 | 1 | |
| 55 | ••OV9715_Camera_Board_1 | DRONE.100.10005810 | 1 | |
| 60 | •••pixy_lens_D_faut_1 | DRONE.100.10005772 | 1 | |
| 65 | •••M12_lens_holder_D_faut_1 | DRONE.100.10005822 | 1 | |
| 70 | •••pan head cross recess screw_ISO 7045-M2x4-Z4C_1 | DRONE.100.10005773 | 1 | |
| 75 | •••OV9715_Camera_Board | DRONE.100.10005813 | 1 | |
| 80 | ••••U2 | DRONE.100.10005826 | 1 | |
| 85 | •••••1339730792 | DRONE.100.10005749 | 1 | |
| 90 | •••••Extruded | DRONE.100.10005851 | 1 | |
| 95 | ••••C1 | DRONE.100.10005785 | 1 | |
| 100 | •••••1551666568 | DRONE.100.10005846 | 1 | |
| 105 | •••••Extruded-7 | DRONE.100.10005802 | 1 | |
| 110 | ••••J1 | DRONE.100.10005844 | 1 | |
| 115 | •••••5034802000 | DRONE.100.10005853 | 1 | |
| 120 | •••••Open CASCADE STEP translator 6.8 2.11.1.1 | DRONE.100.10005770 | 1 | |
| 125 | ••••R1 | DRONE.100.10005751 | 1 | |
| 130 | •••••1339738408 | DRONE.100.10005753 | 1 | |
| 135 | •••••Extruded-1 | DRONE.100.10005801 | 1 | |
| 140 | ••••C8 | DRONE.100.10005848 | 1 | |
| 145 | •••••1551666568 | DRONE.100.10005846 | 1 | |
| 150 | •••••Extruded-7 | DRONE.100.10005802 | 1 | |
| 155 | ••••C13 | DRONE.100.10005818 | 1 | |
| 160 | •••••1339739088 | DRONE.100.10005852 | 1 | |
| 165 | •••••Extruded-6 | DRONE.100.10005762 | 1 | |
| 170 | ••••C11 | DRONE.100.10005807 | 1 | |
| 175 | •••••1339739088 | DRONE.100.10005852 | 1 | |
| 180 | •••••Extruded-6 | DRONE.100.10005762 | 1 | |
| 185 | ••••C4 | DRONE.100.10005827 | 1 | |
| 190 | •••••1551666704 | DRONE.100.10005831 | 1 | |
| 195 | •••••Extruded-3 | DRONE.100.10005790 | 1 | |
| 200 | ••••R3 | DRONE.100.10005845 | 1 | |
| 205 | •••••1339738408 | DRONE.100.10005753 | 1 | |
| 210 | •••••Extruded-1 | DRONE.100.10005801 | 1 | |
| 215 | ••••L3 | DRONE.100.10005794 | 1 | |

SunFlower (rev. E) Drone Parts Catalog

| ITEM | DESCRIPTION | PART NO. | QTY | INFO |
|------|-----------------|--------------------|-----|------|
| 220 |1551669832 | DRONE.100.10005793 | 1 | |
| 225 |Extruded-4 | DRONE.100.10005752 | 1 | |
| 230 |C6 | DRONE.100.10005805 | 1 | |
| 235 |1551666704 | DRONE.100.10005831 | 1 | |
| 240 |Extruded-3 | DRONE.100.10005790 | 1 | |
| 245 |C16 | DRONE.100.10005786 | 1 | |
| 250 |1339739088 | DRONE.100.10005852 | 1 | |
| 255 |Extruded-6 | DRONE.100.10005762 | 1 | |
| 260 |C2 | DRONE.100.10005780 | 1 | |
| 265 |1339739360 | DRONE.100.10005823 | 1 | |
| 270 |Extruded-8 | DRONE.100.10005765 | 1 | |
| 275 |L1 | DRONE.100.10005821 | 1 | |
| 280 |1052277944 | DRONE.100.10005857 | 1 | |
| 285 |Extruded-5 | DRONE.100.10005746 | 1 | |
| 290 |C10 | DRONE.100.10005757 | 1 | |
| 295 |1339739088 | DRONE.100.10005852 | 1 | |
| 300 |Extruded-6 | DRONE.100.10005762 | 1 | |
| 305 |C14 | DRONE.100.10005837 | 1 | |
| 310 |1339739088 | DRONE.100.10005852 | 1 | |
| 315 |Extruded-6 | DRONE.100.10005762 | 1 | |
| 320 |Board | DRONE.100.10005782 | 1 | |
| 325 |L4 | DRONE.100.10005850 | 1 | |
| 330 |1551666704 | DRONE.100.10005831 | 1 | |
| 335 |Extruded-3 | DRONE.100.10005790 | 1 | |
| 340 |U1 | DRONE.100.10005828 | 1 | |
| 345 |1590429024 | DRONE.100.10005842 | 1 | |
| 350 |Extruded-0 | DRONE.100.10005800 | 1 | |
| 355 |C12 | DRONE.100.10005777 | 1 | |
| 360 |1339739088 | DRONE.100.10005852 | 1 | |
| 365 |Extruded-6 | DRONE.100.10005762 | 1 | |
| 370 |C3 | DRONE.100.10005754 | 1 | |
| 375 |1339739360 | DRONE.100.10005823 | 1 | |
| 380 |Extruded-8 | DRONE.100.10005765 | 1 | |
| 385 |C7 | DRONE.100.10005839 | 1 | |
| 390 |1339739088 | DRONE.100.10005852 | 1 | |
| 395 |Extruded-6 | DRONE.100.10005762 | 1 | |
| 400 |R2 | DRONE.100.10005767 | 1 | |
| 405 |1339738544 | DRONE.100.10005776 | 1 | |
| 410 |Extruded-2 | DRONE.100.10005792 | 1 | |
| 415 |C15 | DRONE.100.10005775 | 1 | |
| 420 |1339739088 | DRONE.100.10005852 | 1 | |
| 425 |Extruded-6 | DRONE.100.10005762 | 1 | |
| 430 |L2 | DRONE.100.10005778 | 1 | |
| 435 |1551666704 | DRONE.100.10005831 | 1 | |
| 440 |Extruded-3 | DRONE.100.10005790 | 1 | |
| 445 |C5 | DRONE.100.10005798 | 1 | |

SunFlower (rev. E) Drone Parts Catalog

| ITEM | DESCRIPTION | PART NO. | QTY | INFO |
|------|---|--------------------|-----|------|
| 450 | •••••1339739360 | DRONE.100.10005823 | 1 | |
| 455 | •••••Extruded-8 | DRONE.100.10005765 | 1 | |
| 460 | ••Wifi antena cable | DRONE.100.10005783 | 1 | |
| 465 | ••DRONE_RevB_FCB_PixRacer_Standard_1 | DRONE.100.10005834 | 1 | |
| 470 | ••Bee_Antenna_Ground_1 | DRONE.100.10005774 | 1 | |
| 475 | ••Hive_Antenna_WiFi | DRONE.100.10005835 | 1 | |
| 480 | ••Hammock | DRONE.100.10005817 | 1 | |
| 485 | ••Camera_FR_Remote_Board_1 | DRONE.100.10005745 | 1 | |
| 490 | ••Camera_FR_Board_2_1 | DRONE.100.10005744 | 1 | |
| 495 | ••Bee_MAG_1 | DRONE.100.10005806 | 1 | |
| 500 | ••Tracking_Camera_MCU_Board(Production)_1 | DRONE.100.10005808 | 1 | |
| 505 | •Fuselage_10647 | DRONE.100.10005761 | 1 | |
| 510 | ••10646 | DRONE.100.10005799 | 2 | |
| 515 | ••hex nut style 1 gradeab_ISO-4032-M2-W-N | DRONE.100.10005769 | 4 | |
| 520 | ••hexalobular socket pan head_ISO 14583-M2x12x11.2-4.8-N | DRONE.100.10005756 | 8 | |
| 525 | ••M-MUSB-K152-30-REVT3 | DRONE.100.10005847 | 1 | |
| 530 | ••40x40x10 fan cooler 5v sunon | DRONE.100.10005788 | 1 | |
| 535 | ••40x40x10 | DRONE.100.10005843 | 1 | |
| 540 | ••blade | DRONE.100.10005764 | 1 | |
| 545 | ••Sonar Membrane | DRONE.100.10005779 | 4 | |
| 550 | ••Sensor_box276649 | DRONE.100.10005854 | 4 | |
| 555 | ••XL-MaxSonar-EZ | DRONE.100.10005832 | 1 | |
| 560 | ••Sensor_box | DRONE.100.10005748 | 1 | |
| 565 | ••hex tapping screws_Tapping Screw ISO 14585-ST2.9x19-C-N | DRONE.100.10005750 | 4 | |
| 570 | ••10463 | DRONE.100.10005824 | 1 | |
| 575 | ••Bee Heat Sink | DRONE.100.10005768 | 1 | |
| 580 | ••socket head cap screw_ISO 4762 M2.5x6-6N | DRONE.100.10005841 | 2 | |
| 585 | ••10466 | DRONE.100.10005816 | 4 | |
| 590 | ••hexalobular socket pan head_ISO 14583-M2x8x7.2-4.8-N | DRONE.100.10005759 | 2 | |
| 595 | ••Bee Isolator | DRONE.100.10005840 | 4 | |
| 600 | ••Power Switch | DRONE.100.10005833 | 1 | |
| 605 | ••hex tapping screws_Tapping Screw ISO 14585-ST2.9x13-C-N | DRONE.100.10005763 | 8 | |
| 610 | ••Speed_Controller | DRONE.100.10005855 | 4 | |
| 615 | ••TopHull_2 | DRONE.100.10005804 | 1 | |
| 620 | ••Picoradio_2-4 | DRONE.100.10005836 | 1 | |
| 625 | ••10464 | DRONE.100.10005809 | 1 | |
| 630 | •NC | DRONE.100.10005856 | 1 | |
| 635 | ••Charging_Board | DRONE.100.10005789 | 1 | |
| 640 | ••hexalobular socket pan head_ISO 14583-M2x5x4.5-4.8-N | DRONE.100.10005819 | 12 | |
| 645 | ••hex nut style 1 gradeab_ISO-4032-M3-W-N | DRONE.100.10005803 | 4 | |

SunFlower (rev. E) Drone Parts Catalog

| ITEM | DESCRIPTION | PART NO. | QTY | INFO |
|------|--|--------------------|-----|------|
| 650 | ••GPS_RX | DRONE.100.10005815 | 1 | |
| 655 | ••Battery | DRONE.100.10005811 | 1 | |
| 660 | ••DRONE_RevC_AUAV Power Module_Standard | DRONE.100.10005760 | 1 | |
| 665 | ••DRONE_electro_magnetic_shield_Standard | DRONE.100.10005849 | 1 | |
| 670 | ••NC699158 | DRONE.100.10005829 | 1 | |
| 675 | ••GPS_bracket | DRONE.100.10005797 | 1 | |
| 680 | •socket head cap screw_ISO 4762 M3x30-18N | DRONE.100.10005795 | 4 | |
| 685 | •Drone_RevE_Master | DRONE.100.10005758 | 1 | |
| 690 | ••DRONE_RevE_Powertrain | DRONE.100.10005814 | 4 | |
| 695 | •••DRONE_RevB_motor_cap_Standard | DRONE.100.10005830 | 1 | |
| 700 | •••hexalobular socket pan head_ISO 14583- M3x6x5-4.8-N | DRONE.100.10005787 | 4 | |
| 705 | •••DRONE_RevB_motor_holder_V2. 0_Langl_cher | DRONE.100.10005796 | 1 | |
| 710 | •••hexalobular socket pan head_ISO 14583- M3x20x19-4.8 -N | DRONE.100.10005766 | 1 | |
| 715 | •••DRONE_RevE_arm_13x1.5 Alurohr | DRONE.100.10005791 | 1 | |
| 720 | •••hex nut style 1 gradeab_ISO-4032-M3-W-N | DRONE.100.10005803 | 1 | |
| 725 | •••DRONE_RevB_RS2205_motor_Standard | DRONE.100.10005784 | 1 | |
| 730 | •••GEMFAN_D,faut | DRONE.100.10005755 | 1 | |
| 735 | •••DRONE_RevB_propeller_cap_Standard | DRONE.100.10005838 | 1 | |
| 740 | •••Drone_RevE_Pin | DRONE.100.10005825 | 1 | |