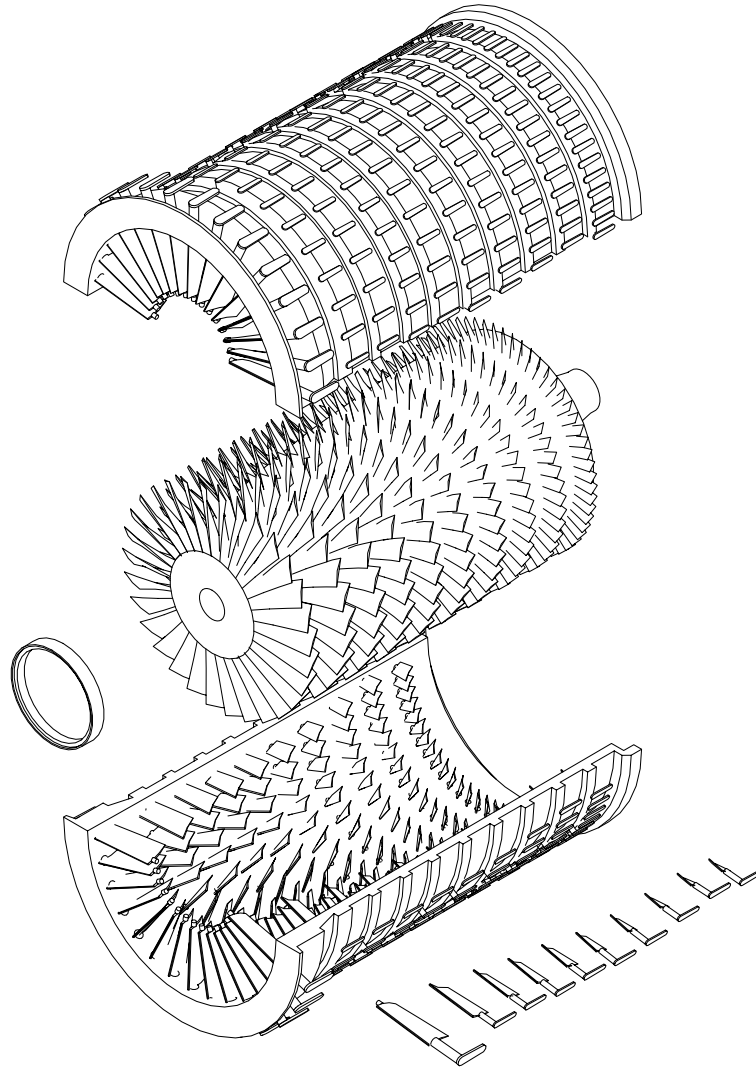


# TURBINE C3D-MANUAL-DEMO-02 ASSEMBLY

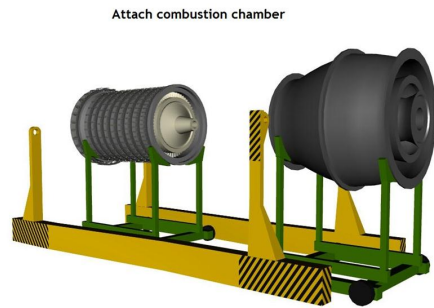
---

1. COMPRESSOR MODULE ASSEMBLY.
  - a) INSTALL COMPRESSOR ROTOR M-003-003.
  - b) INSTALL COMPRESSOR UPPER CASE M-003-002 WITH BLADES.
  - c) *ASSEMBLE STATOR BLADES CONTROL SYSTEM.*

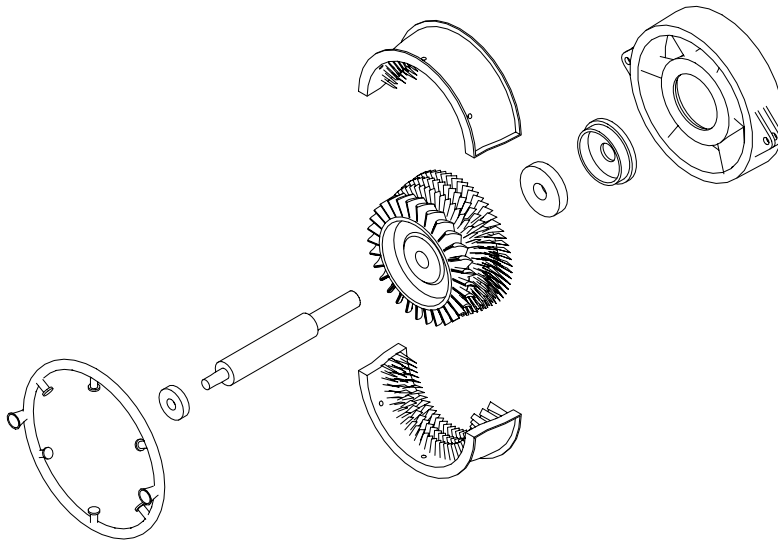


2. COMBUSTION CHAMBER ASSEMBLY.

- a) *ATTACH COMBUSTION CHAMBER M-004.*



3. TURBINE MODULE ASSEMBLY.
  - a) INSTALL LPT ROTOR M-005-001.
  - b) INSTALL LPT UPPER CASE.
  - c) *ATTACH LOW PRESSURE TURBINE (LPT).*



d) ATTACH AFT FRAME M-005-003.

e) REMOVE THE LPT WAY.

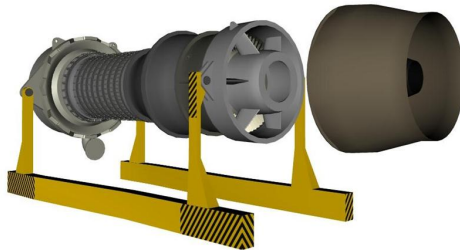
**4. FORWARD SUMP ASSEMBLY.**

a) *ATTACH FORWARD SUMP M-002.*

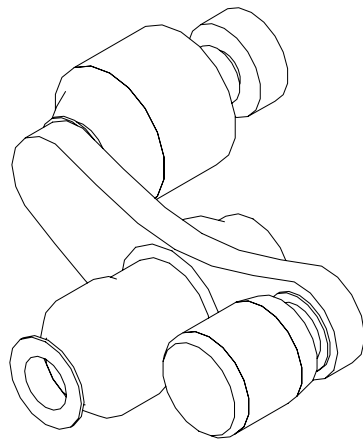


- b) REMOVE THE COMBUSTION CHAMBER WAY.
  - c) REMOVE THE COMPRESSOR WAY.
5. INLET/OUTLET NOZZLES ASSEMBLY.
- a) *INSTALL OUTLET NOZZLE MODULE M-006.*

Install the outlet nozzle

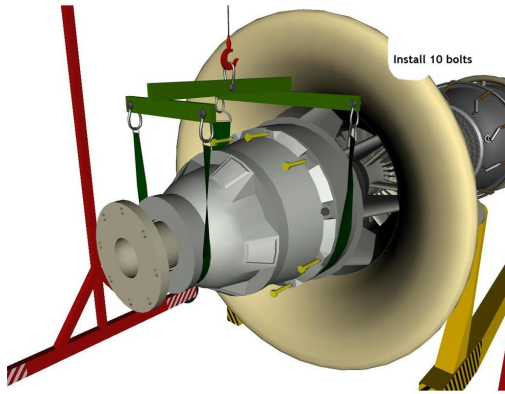


- b) INSTALL REAR PART OF INLET NOZZLE IN-002.
  - c) INSTALL FRONT PART OF INLET NOZZLE IN-001.
6. TURBINE SYSTEMS ASSEMBLY.
- a) ASSEMBLE COOLING SYSTEM PIPELINE T-001.
  - b) ASSEMBLE FUEL PIPELINE M-004-004 AND FUEL NOZZELS M-004-005.
  - c) *ATTACH STARTER M-007.*



7. REDUCTOR COVER INSTALLATION.

- a) ATACH REDUCTOR MODULE M-001.
- b) *INSTALL 10 BOLTS (NUT KOR-10).*



- c) INSTALL LOWER COVER RC-002.
- d) INSTALL UPPER COVER RC-001.