

Turbine-S1000D ASSEMBLY -

DMC: TURBINE-A-000-00-00-00AA-720A-A

Language: en/US

Issue no: 001 new

Issue Date: 2011-11-21

Title: Turbine-S1000D ASSEMBLY -

Security classification : Class01

Responsible partner company:

Originator:

Applicability:

QA: Unverified

Intentionally left blank

Turbine-S1000D ASSEMBLY -

Table of Contents Page

Preliminary Requirements..... 1
 Procedure..... 2

List of Figures Page

1 Turbine rotor installation..... 3
 2 Combustion chamber installation..... 5
 3 LPT..... 7
 4 Forward sump..... 9
 5 Turbine systems 11
 6 Assembled turbine..... 13

Preliminary Requirements

Required Conditions

Table 1 Required Conditions

Title	Data Module
None	

Support Equipment

Table 2 Support Equipment

Nomenclature	Identification No.	Qty	Remarks
None			

Consumables, Materials, and Expendables

Table 3 Consumables, Materials, and Expendables

Nomenclature	Identification No.	Qty	Remarks
None			

Spares

Table 4 Spares

Nomenclature	Identification No.	Qty	Remarks
None			

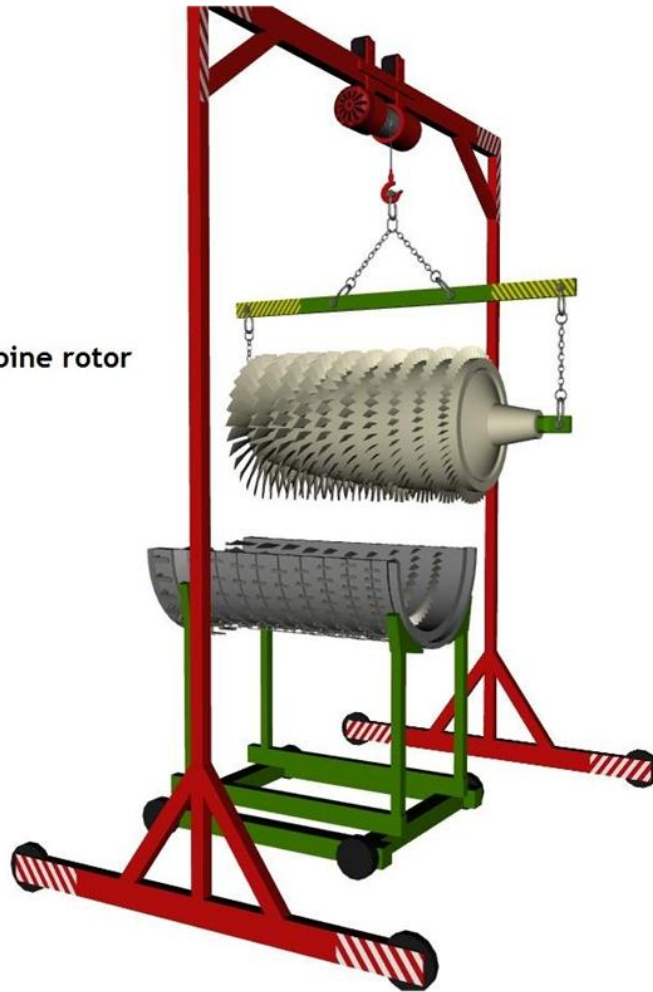
Safety Conditions

None

Procedure

- 1 COMPRESSOR MODULE ASSEMBLY.
 - 1.1 INSTALL COMPRESSOR ROTOR M-003-003.

Install the turbine rotor

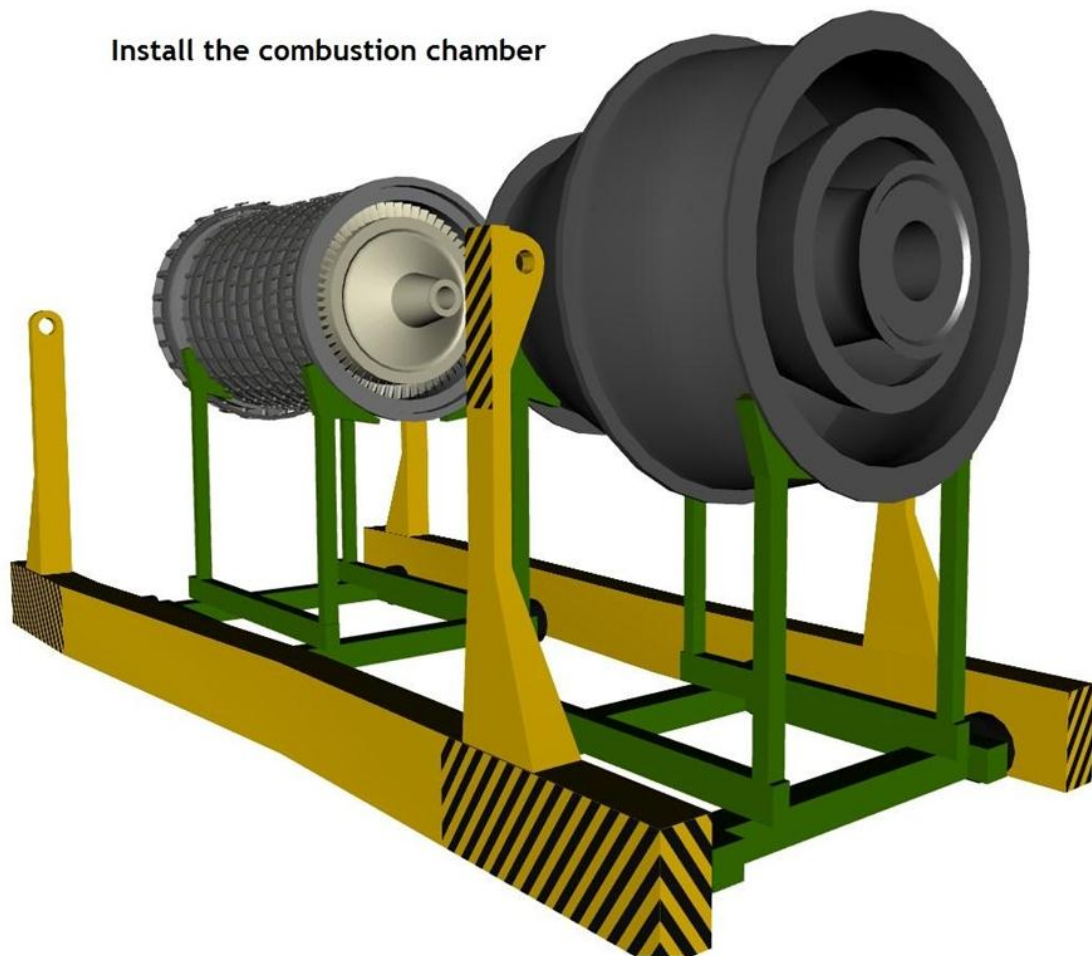


ICN-TURBINE-A-000000-0-00000-00011-A-01-1

Figure 1 Turbine rotor installation

UNCLASSIFIED

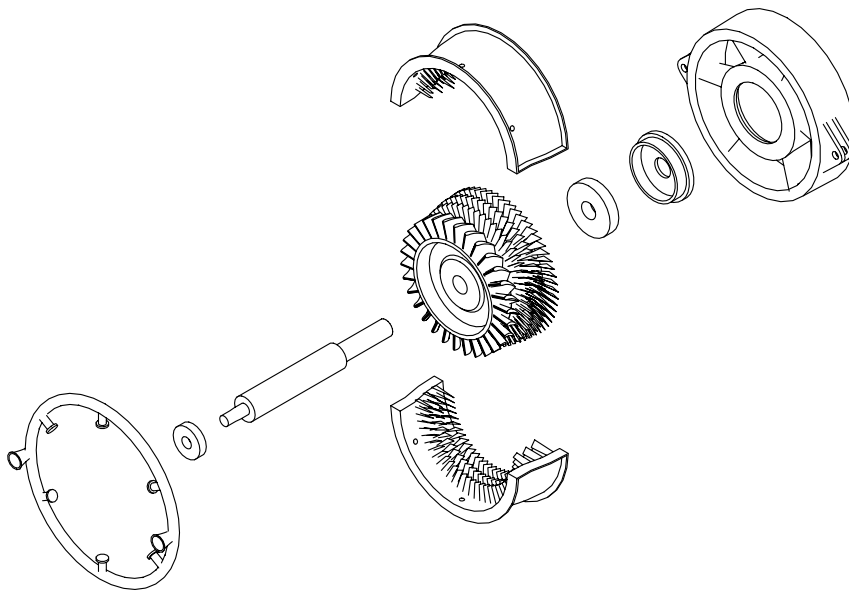
- 1.2 INSTALL COMPRESSOR UPPER CASE M-003-002 WITH BLADES.
- 1.3 ASSEMBLE STATOR BLADES CONTROL SYSTEM.
- 2 COMBUSTION CHAMBER ASSEMBLY.
 - 2.1 ATTACH COMBUSTION CHAMBER M-004.



ICN-TURBINE-A-000000-0-00000-00012-A-01-1

Figure 2 Combustion chamber installation

3 LPT MODULE ASSEMBLY.

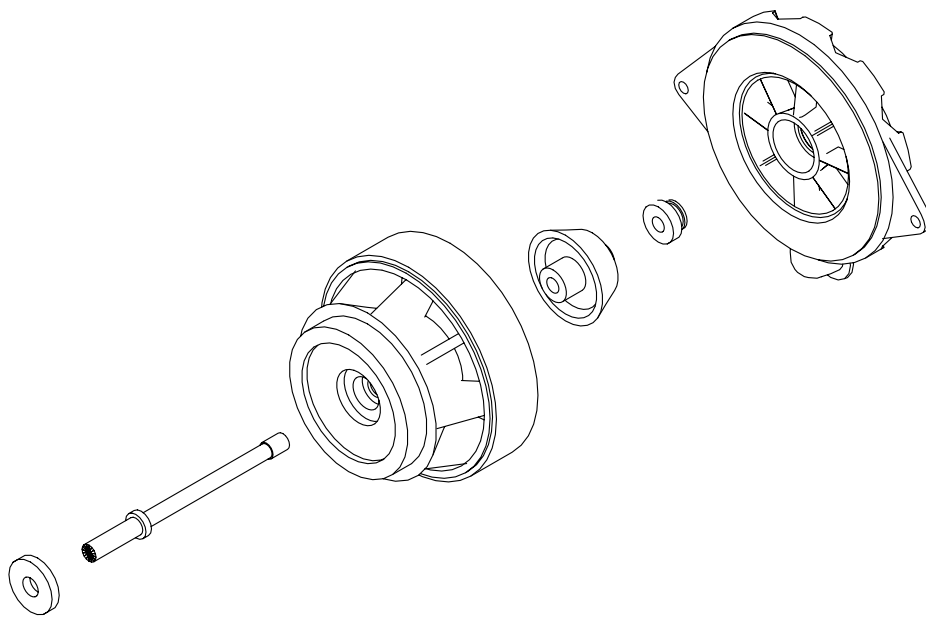


ICN-TURBINE-A-000000-0-00000-00013-A-01-1

Figure 3 LPT

UNCLASSIFIED

- 3.1 INSTALL LPT ROTOR M-005-001.
 - 3.2 INSTALL LPT UPPER CASE.
 - 3.3 ATTACH LOW PRESSURE TURBINE (LPT).
 - 3.4 ATTACH AFT FRAME M-005-003.
 - 3.5 REMOVE THE TURBINE WAY.
- 4 FORWARD SUMP ASSEMBLY.



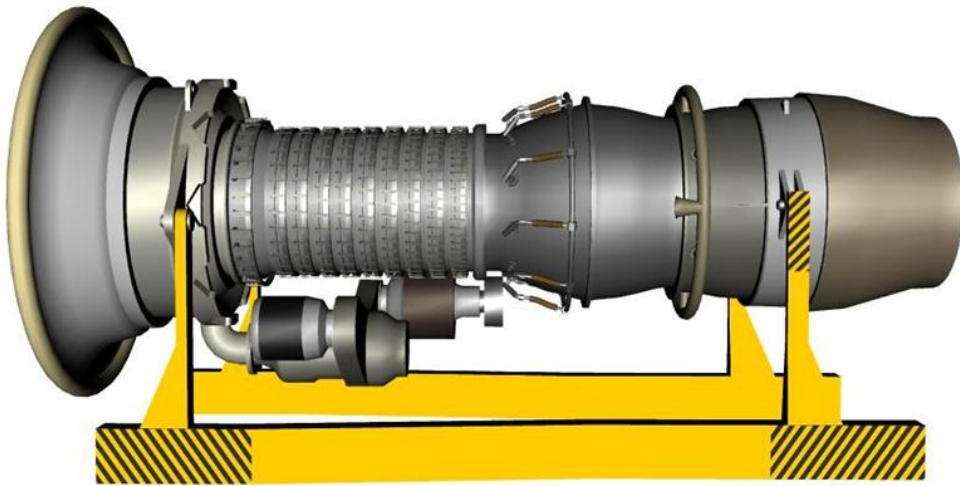
ICN-TURBINE-A-000000-0-00000-00014-A-01-1

Figure 4 Forward sump

UNCLASSIFIED

- 4.1 ATTACH FORWARD SUMP M-002.
- 4.2 REMOVE THE COMBUSTION CHAMBER WAY.
- 4.3 REMOVE THE COMPRESSOR WAY.
- 5 INLET/OUTLET NOZZLES ASSEMBLY.
 - 5.1 INSTALL OUTLET NOZZLE MODULE M-006.
 - 5.2 INSTALL REAR PART OF INLET NOZZLE IN-002.
 - 5.3 INSTALL FRONT PART OF INLET NOZZLE IN-001.
- 6 TURBINE SYSTEMS ASSEMBLY.
 - 6.1 ASSEMBLE COOLING SYSTEM PIPELINE T-001.
 - 6.2 ASSEMBLE FUEL PIPELINE M-004-004 AND FUEL NOZZELS M-004-005.
 - 6.3 ATTACH STARTER M-007.

Install the fuel system

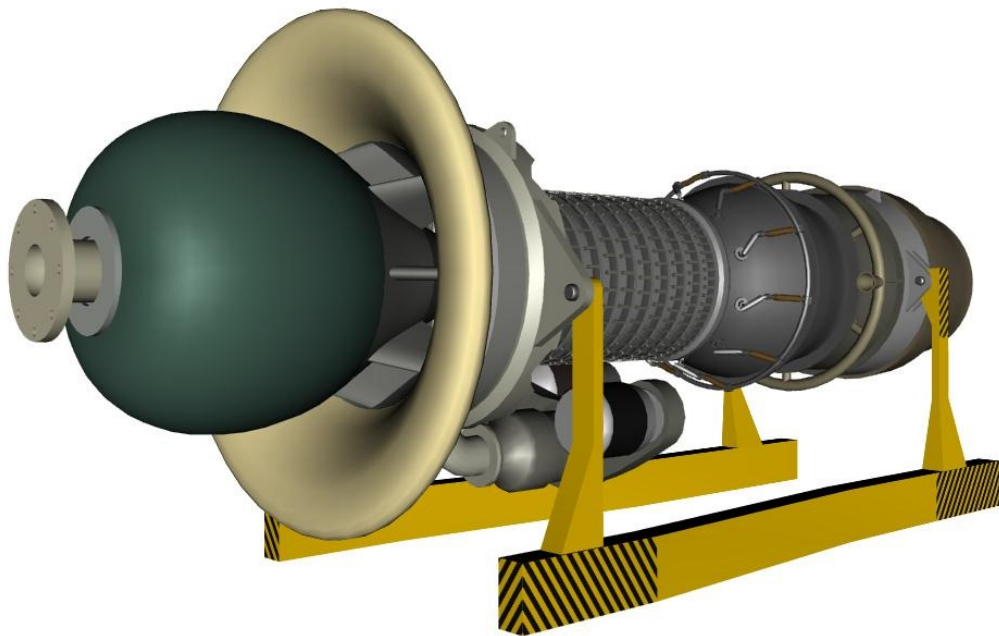


ICN-TURBINE-A-000000-0-00000-00015-A-01-1

Figure 5 Turbine systems

- 7 REDUCTOR COVER INSTALLATION.
 - 7.1 ATTACH REDUCTOR MODULE M-001.
 - 7.2 INSTALL 10 BOLTS (NUT KOR-10).
 - 7.3 INSTALL LOWER COVER RC-002.
 - 7.4 INSTALL UPPER COVER RC-001.

Assembled Engine turbine



ICN-TURBINE-A-000000-0-00000-00016-A-01-1

Figure 6 Assembled turbine

Required Conditions

Table 5 Required Conditions

Title	Data Module
None	
