

TURBINE-S1000D DISASSEMBLY -

DMC: TURBINE-A-000-00-00-00AA-520A-A

Language: en/US

Issue no: 001 new

Issue Date: 2011-11-22

Title: TURBINE-S1000D DISASSEMBLY -

Security classification : Class01

Responsible partner company:

Originator:

Applicability:

QA: Unverified

Intentionally left blank

TURBINE-S1000D DISASSEMBLY -

Table of Contents Page

Preliminary Requirements..... 1
 Procedure..... 2

List of Figures Page

1 Reductor module 3
 2 Turbine Systems..... 5
 3 Forward sump..... 7
 4 LPT..... 9
 5 Combustion chamber removal..... 11
 6 Compressor rotor removal..... 13

Preliminary Requirements

Required Conditions

Table 1 Required Conditions

Title	Data Module
None	

Support Equipment

Table 2 Support Equipment

Nomenclature	Identification No.	Qty	Remarks
None			

Consumables, Materials, and Expendables

Table 3 Consumables, Materials, and Expendables

Nomenclature	Identification No.	Qty	Remarks
None			

Spares

Table 4 Spares

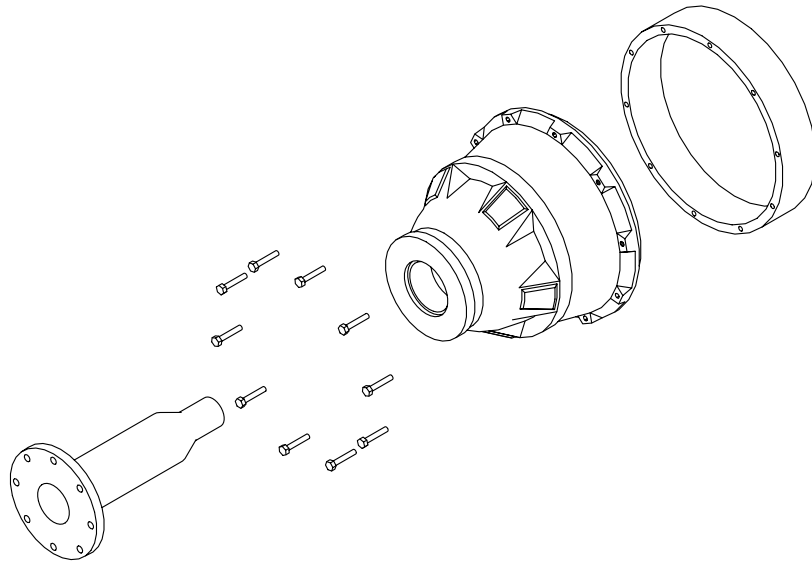
Nomenclature	Identification No.	Qty	Remarks
None			

Safety Conditions

None

Procedure

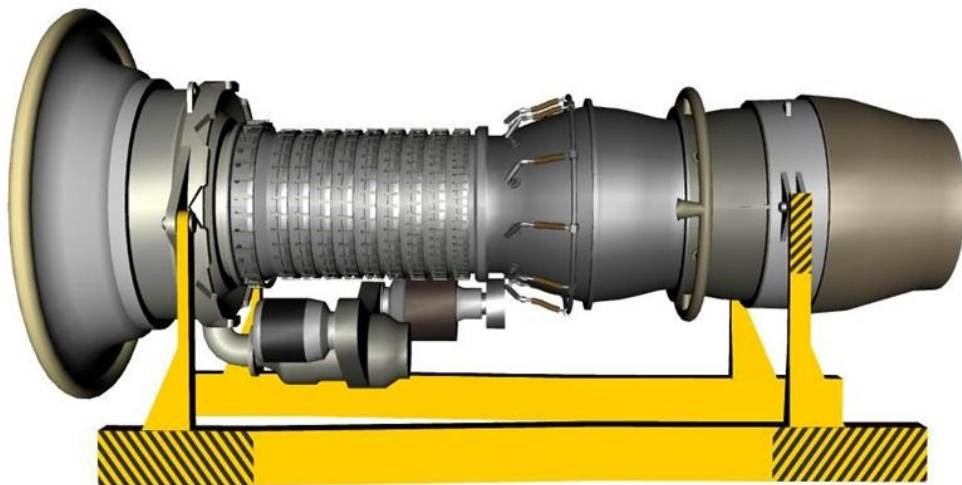
- 1 REDUCTOR COVER REMOVAL
 - 1.1 REMOVE UPPER COVER RC-001
 - 1.2 REMOVE LOWER COVER RC-002
 - 1.3 REMOVE 10 BOLTS (KOR-10)
 - 1.4 DETACH REDUCTOR MODULE M-001



ICN-TURBINE-A-000000-0-00000-00021-A-01-1

Figure 1 Reductor module

Uninstall the fuel system



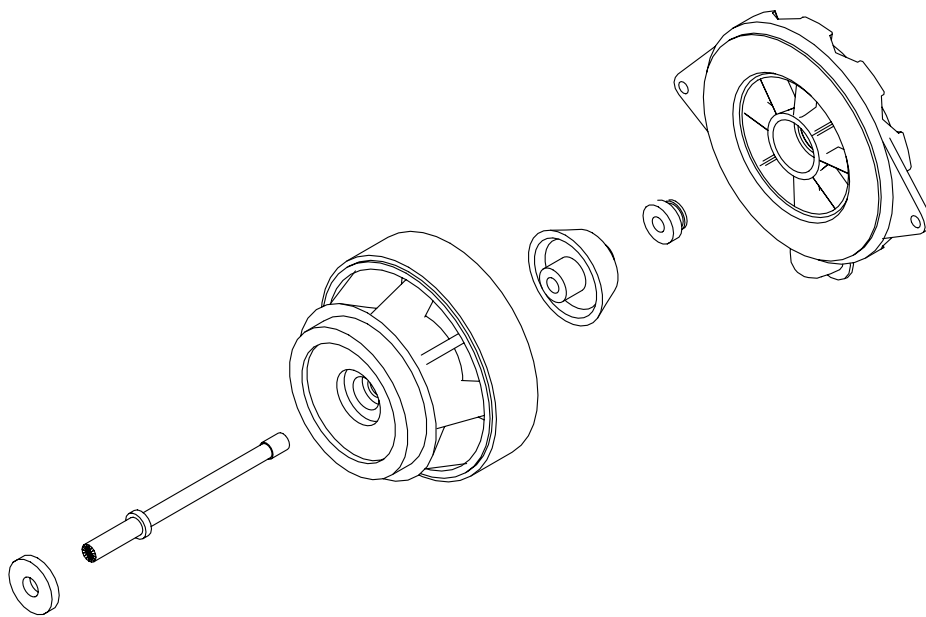
ICN-TURBINE-A-000000-0-00000-00022-A-01-1

Figure 2 Turbine Systems

2.1 DETACH STARTER M-007

UNCLASSIFIED

- 2.2 DISASSEMBLE FUEL PIPELINE M-004-004 AND FUEL NOZZELS M-004-005
- 2.3 DISASSEMBLE COOLING SYSTEM PIPELINE T-001
- 3 INLET/OUTLET NOZZLES DISASSEMBLY
 - 3.1 REMOVE FORWARD PART OF INLET NOZZLE IN-001
 - 3.2 REMOVE AFT PART OF INLET NOZZLE IN-002
 - 3.3 REMOVE OUTLET NOZZLE MODULE M-006
- 4 FORWARD SUMP DISASSEMBLY

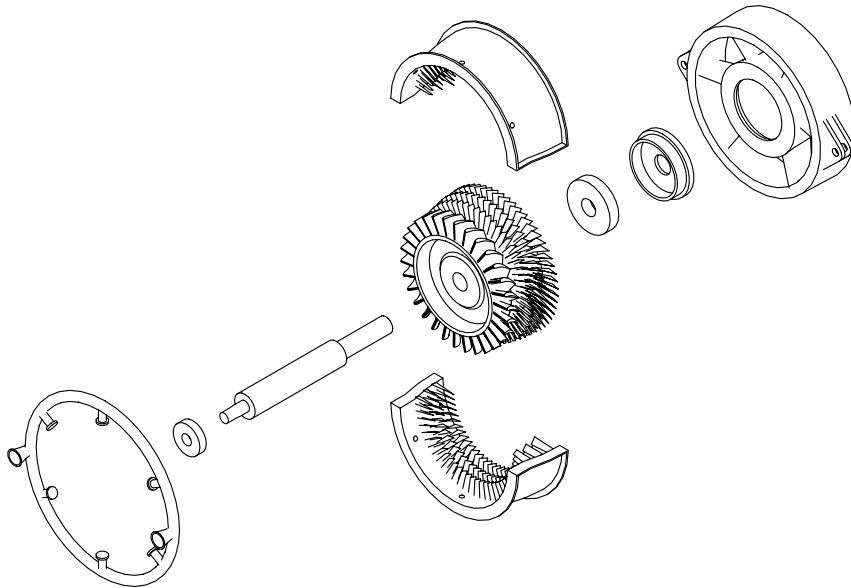


ICN-TURBINE-A-000000-0-00000-00014-A-01-1

Figure 3 Forward sump

UNCLASSIFIED

- 4.1 PLACE WAY UNDER COMPRESSOR
- 4.2 PLACE WAY UNDER COMBUSTION CHAMBER
- 4.3 DETACH FORWARD SUMP M-002
- 5 TURBINE MODULE DISASSEMBLY
 - 5.1 PLACE WAY UNDER TURBINE
 - 5.2 DETACH AFT FRAME M-005-003
 - 5.3 DETACH LOW PRESSURE TURBINE (LPT)

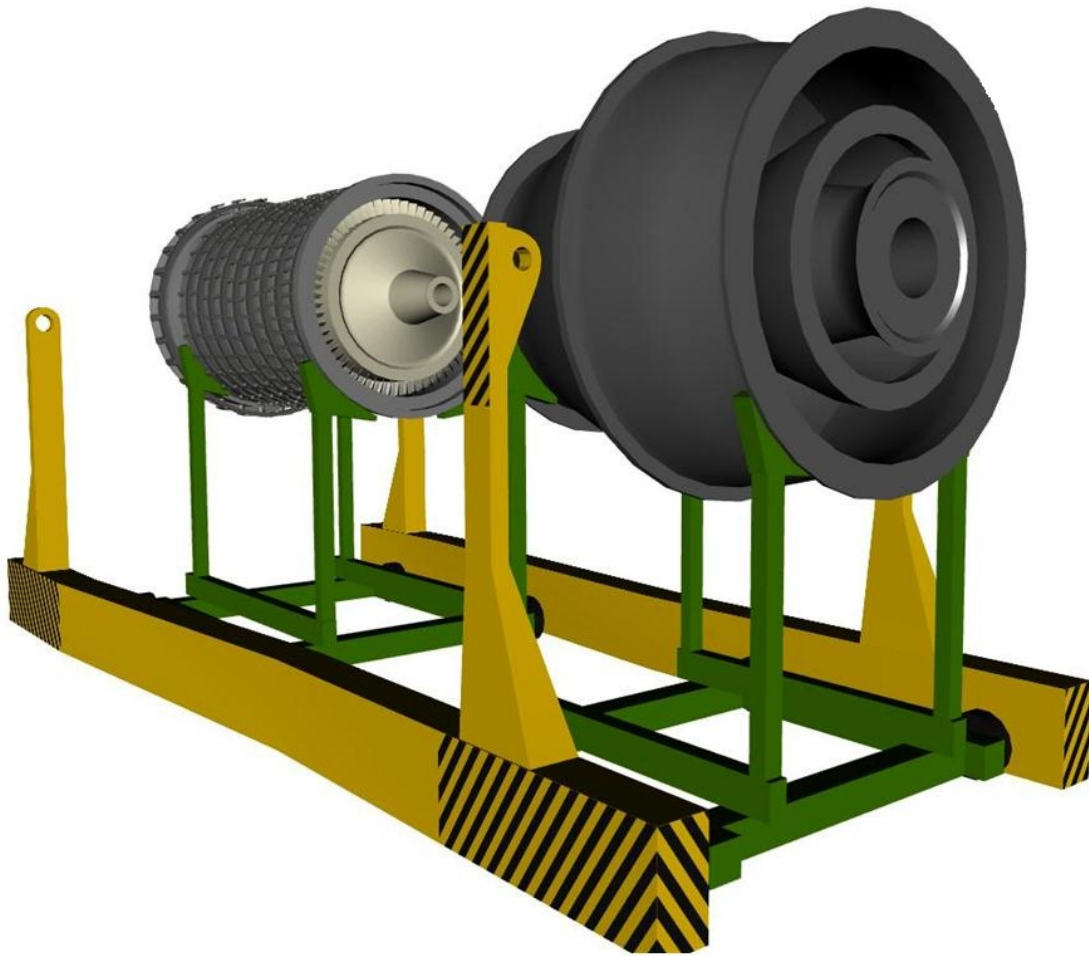


ICN-TURBINE-A-000000-0-00000-00013-A-01-1

Figure 4 LPT

- 5.4 REMOVE LPT UPPER CASE
- 5.5 REMOVE LPT ROTOR M-005-001
- 6 COMBUSTION CHAMBER DISASSEMBLY

Detach the combustion chamber



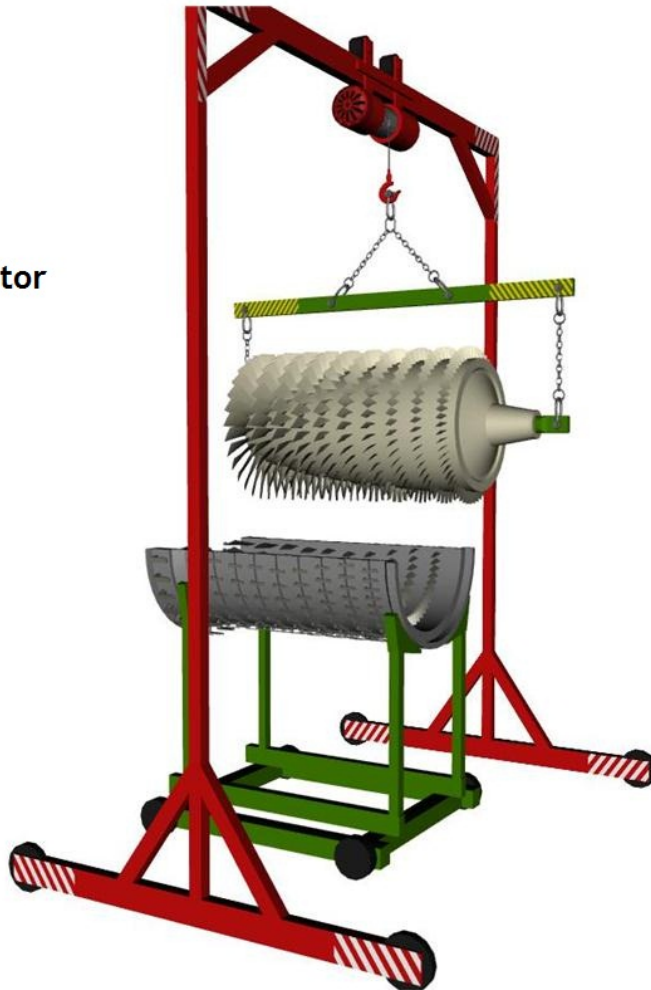
ICN-TURBINE-A-000000-0-00000-00023-A-01-1

Figure 5 Combustion chamber removal

6.1 DETACH COMBUSTION CHAMBER M-004

- 7 COMPRESSOR MODULE DISASSEMBLY
 - 7.1 DISASSEMBLE STATOR BLADES CONTROL SYSTEM
 - 7.2 REMOVE COMPRESSOR UPPER CASE M-003-002 WITH BLADES
 - 7.3 REMOVE COMPRESSOR ROTOR M-003-003

Remove turbine rotor



ICN-TURBINE-A-000000-0-00000-00024-A-01-1

Figure 6 Compressor rotor removal

Required Conditions

Table 5 Required Conditions

Title	Data Module
None	
