

Turbine - Illustrated parts data

DMC: TURBINE-A-00-00-00-00AA-941D-A

Language: en/US

Issue no: 006 revised

Issue Date: 2015-02-17

Title: Turbine - Illustrated parts data

Security classification : Class01

Responsible partner company:

Originator:

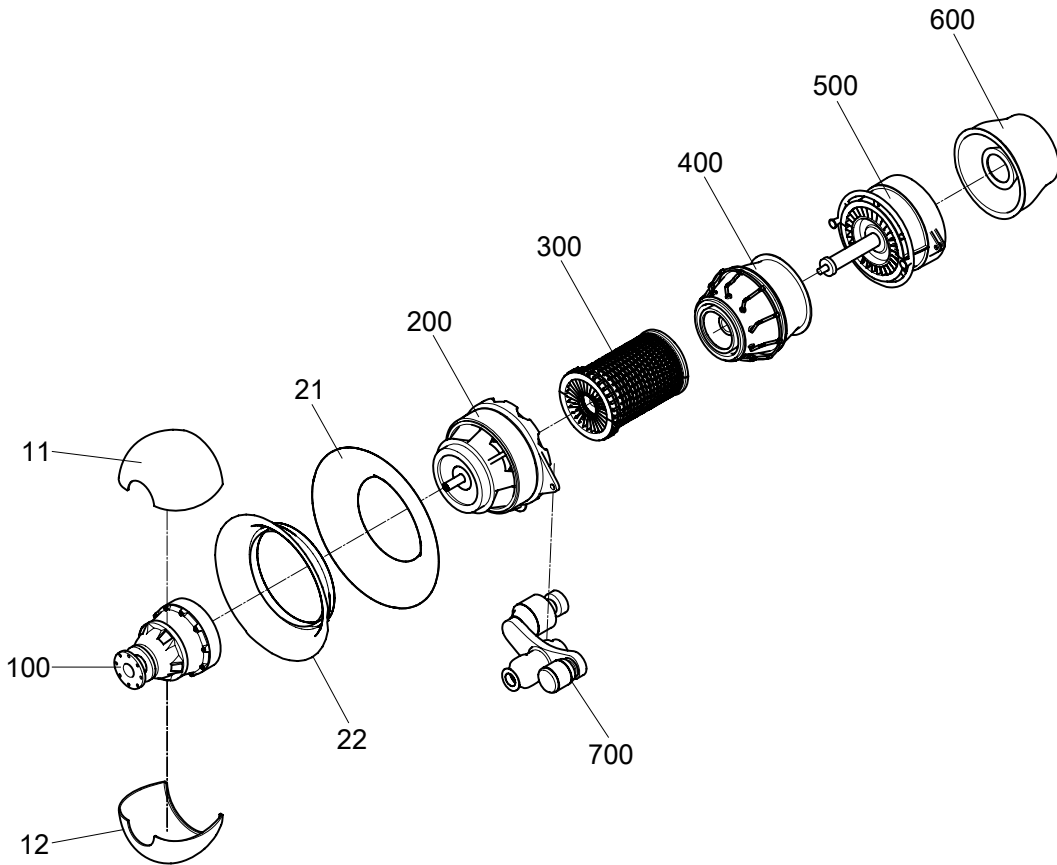
Applicability:

QA: first verification

Intentionally left blank

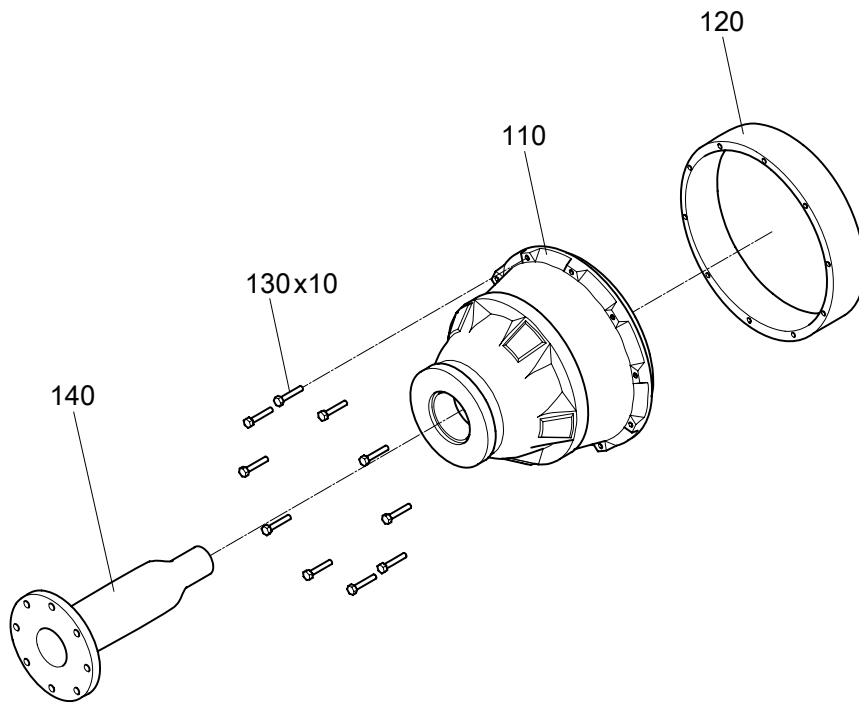
Turbine - Illustrated parts data

Table of Contents	Page
List of Figures	Page
1	Turbine..... 2



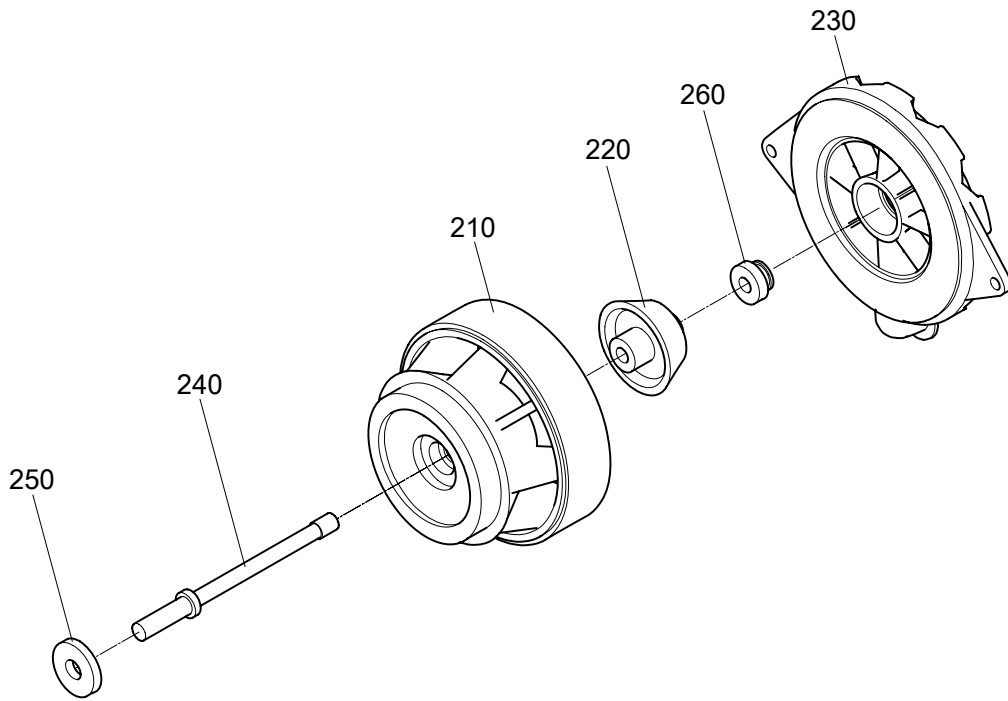
ICN-TURBINE-A-000000-0-00000-00001-A-01-1

Figure 1 Turbine - (Sheet 1 of 8)



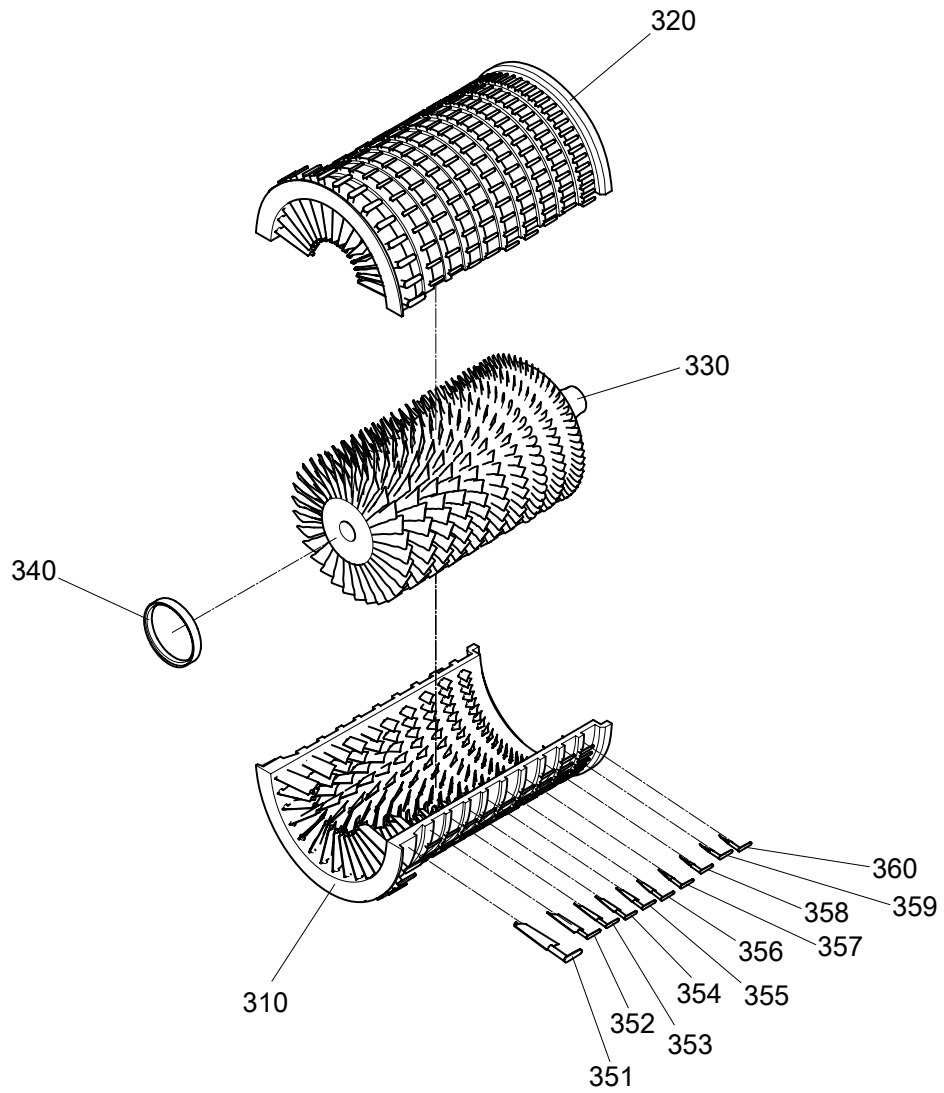
ICN-TURBINE-A-000000-0-00000-00002-A-01-1

Figure 1 Turbine - (Sheet 2 of 8)



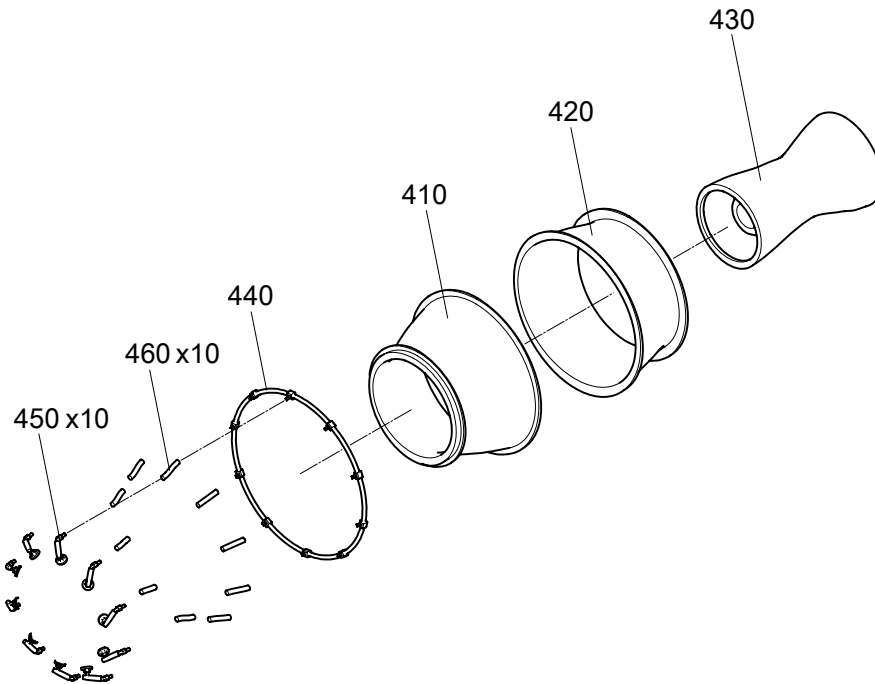
ICN-TURBINE-A-000000-0-00000-00003-A-01-1

Figure 1 Turbine - (Sheet 3 of 8)



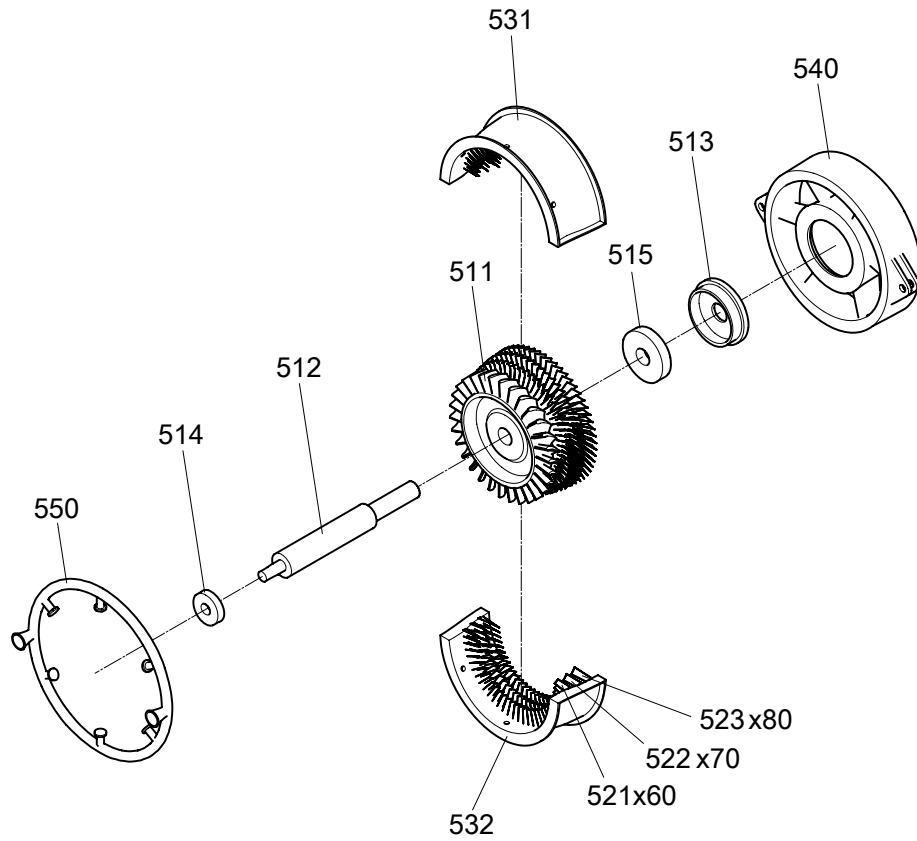
ICN-TURBINE-A-000000-0-00000-00004-A-01-1

Figure 1 Turbine - (Sheet 4 of 8)



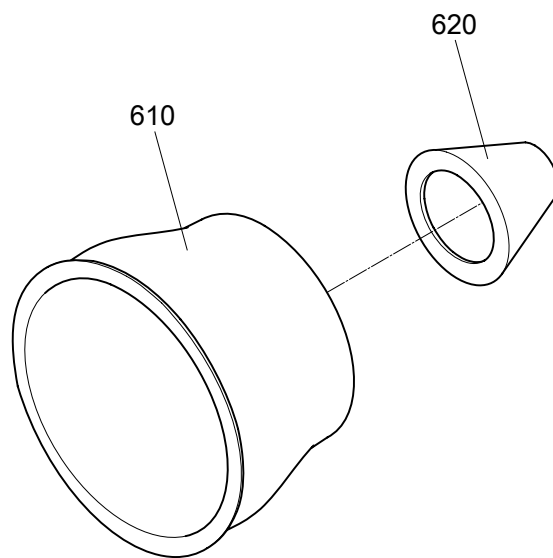
ICN-TURBINE-A-000000-0-00000-00005-A-01-1

Figure 1 Turbine - (Sheet 5 of 8)



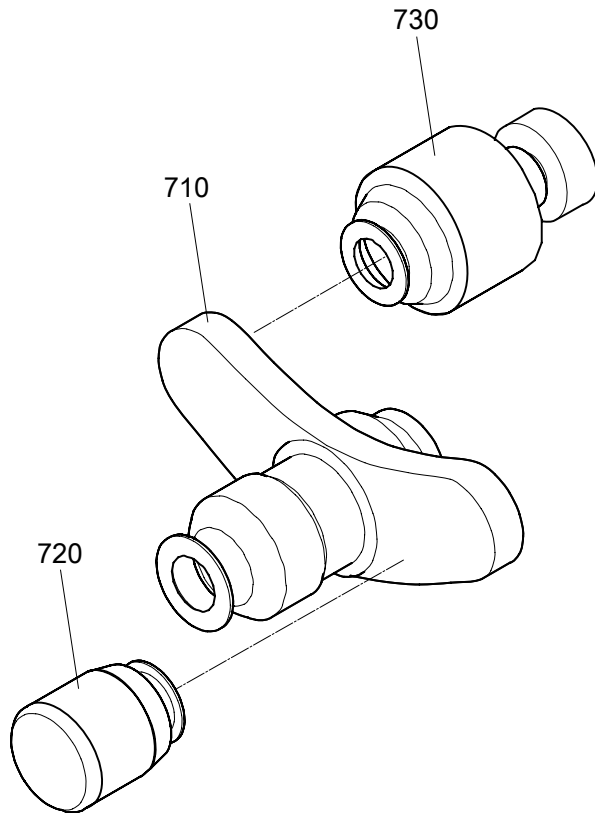
ICN-TURBINE-A-000000-0-00000-00006-A-01-1

Figure 1 Turbine - (Sheet 6 of 8)



ICN-TURBINE-A-000000-0-00000-00007-A-01-1

Figure 1 Turbine - (Sheet 7 of 8)



ICN-TURBINE-A-000000-0-00000-00008-A-01-1

Figure 1 Turbine - (Sheet 8 of 8)

UNCLASSIFIED

Fig.	Item	Units per assembly/ unit of issue	NCAGE	Part No NATO Stock Number	Nomenclature	*Usable on ICY code assy • MV/Effect
1						
	1	1		PG-D-01	GAS TURBINE ENGINE	
	11	1		RC-001	• REDUCTOR COVER - UPPER	
	12	1		RC-002	• REDUCTOR COVER - LOWER	
	21	1		IN-001	• INLET NOZZLE FRONT	
	22	1		IN-002	• INLET NOZZLE REAR	
	100	1		M-001	• REDUCTOR MODULE	
	110	1		M-001-001	•• REDUCTOR ASSEMBLY	
	120	1		M-001-002	•• FRAME ADAPTER	
	130	10		KOR-001	•• BOLT	
	140	1		M-001-001_215	•• REDUCTOR SHAFT	
	200	1		M-002	• FORWARD SUMP ASSEMBLY	
	210	1		M-002-001	•• FRONT FRAME	
	220	1		M-002-002	•• SUMP COVER REAR	
	230	1		M-002-003	•• SUMP COVER FRONT	
	240	1		M-002-004	•• DRIVE SHAFT	
	250	1		B-001	•• BEARING	
	260	1		B-002	•• BEARING	
	300	1		M-003	• COMPRESSOR MODULE	
	310	1		M-003-001	•• COMPRESSOR LOWER CASE	
	320	1		M-003-002	•• COMPRESSOR UPPER CASE	
	330	1		M-003-003	•• COMPRESSOR ROTOR	
	340	1		M-003-005	•• CARRIER RING	

Effectivity: All

TURBINE-A-00-00-00-00AA-941D-A

UNCLASSIFIED

Fig.	Item	Units per assembly/ unit of issue	NCAGE	Part No NATO Stock Number	Nomenclature	*Usable on ICY code assy • MV/Effect
	351	30		M-003-000-001	•• STAGE 1 BLADE	
	352	30		M-003-000-002	•• STAGE 2 BLADE	
	353	30		M-003-000-003	•• STAGE 3 BLADE	
	354	33		M-003-000-004	•• STAGE 4 BLADE	
	355	33		M-003-000-005	•• STAGE 5 BLADE	
	356	36		M-003-000-006	•• STAGE 6 BLADE	
	357	38		M-003-000-007	•• STAGE 7 BLADE	
	358	42		M-003-000-008	•• STAGE 8 BLADE	
	359	50		M-003-000-009	•• STAGE 9 BLADE	
	360	60		M-003-000-010	•• STAGE 10 BLADE	
	400	1		M-004	• COMBUSTION CHAMBER	
	410	1		M-004-001	•• FRONT HOUSING	
	420	1		M-004-002	•• REAR HOUSING	
	430	1		M-004-003	•• CRANKCASE	
	440	1		M-004-004	•• FUEL PIPELINE	
	450	10		M-004-005	•• FUEL NOZZLE	
	460	10		M-004-006	•• FUEL PIPELINE TO NOZZLE CONNECTOR	
	500	1		M-005	• LOW PRESSURE TURBINE MODULE	
	510	1		M-005-001	•• TURBINE ROTOR	
	511	1		M-005-005	••• ROTOR	
	512	1		M-005-007	••• TURBINE SHAFT	
	513	1		M-005-006	••• ROTOR COVER	
	514	1		B-003	••• BEARING	
	515	1		B-004	••• BEARING	
	520	1		M-005-002	•• TURBINE STATOR	

Effectivity: All

TURBINE-A-00-00-00-00AA-941D-A

UNCLASSIFIED

Fig.	Item	Units per assembly/ unit of issue	NCAGE	Part No NATO Stock Number	Nomenclature	*Usable on ICY code assy • MV/Effect
521	60			M-005-000-001	••• STAGE 1 BLADE	
522	70			M-005-000-002	••• STAGE 2 BLADE	
523	80			M-005-000-003	••• STAGE 3 BLADE	
531	1			M-005-002-001	••• LPT UPPER CASE	
532	1			M-005-002-002	••• LPT LOWER CASE	
540	1			M-005-003	•• AFT FRAME	
550	1			T-001	•• COOLING SYSTEM PIPELINE	
600	1			M-006	• OUTLET NOZZLE MODULE	
610	1			M-006-001	•• OUTER NOZZLE	
620	1			M-006-002	•• INNER NOZZLE	
700	1			M-007	• STARTER SYSTEM MODULE	
710	1			M-007-001	•• STARTER SYSTEM GEARBOX	
720	1			M-007-002	•• GENERATOR	
730	1			M-007-003	•• STARTER	