

Airplane

Illustrated Parts Catalog

IPC

C3DAIRPLANE-00010-IPC01-00

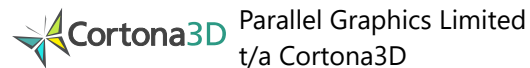
Issue No. 001, 30-10-2024



This is the demo of the S1000D publication. Publishing or distribution of any part of this demo is prohibited without prior written permission of the copyright holders.

© Parallel Graphics Limited t/a Cortona3D. All rights reserved.

Publisher:



Parallel Graphics Limited
t/a Cortona3D

Applicable to: All

C3DAIRPLANE-A-00-00-00-01A-001A-A

End of data module

UNCLASSIFIED

2024-10-30 Page 1

Intentionally left blank

List of effective data modules

The listed documents are included in issue 001, dated 2024-10-30, of this publication.

C = Changed data module

N = New data module

Document title	Data module code	Issue date	No. of pages	Applicable to
Title page	C3DAIRPLANE-A-00-00-00-01A-001A-A	N 2024-10-30	1	
List of effective data modules	C3DAIRPLANE-A-00-00-00-01A-00SA-A	N 2024-10-30	1	
Change record	C3DAIRPLANE-A-00-00-00-01A-00TA-A	N 2024-10-30	1	
Table of contents	C3DAIRPLANE-A-00-00-00-01A-009A-A	N 2024-10-30	1	
Vertical stabilizer	C3DAIRPLANE-A-55-30-00-00A-941A-A	N 2024-10-30	4	
Rudder installation	C3DAIRPLANE-A-55-40-00-00A-941A-A	N 2024-10-30	5	
Leading edge	C3DAIRPLANE-A-55-41-00-00A-941A-A	N 2024-10-30	3	

Intentionally left blank

Change record

Make sure that the previous revisions have been incorporated.

Incorporated revisions must be recorded with the date of incorporation and a signature.

Issue	Incorporated date	by (signature)	Issue	Incorporated date	by (signature)
001	_____	_____	026	_____	_____
002	_____	_____	027	_____	_____
003	_____	_____	028	_____	_____
004	_____	_____	029	_____	_____
005	_____	_____	030	_____	_____
006	_____	_____	031	_____	_____
007	_____	_____	032	_____	_____
008	_____	_____	033	_____	_____
009	_____	_____	034	_____	_____
010	_____	_____	035	_____	_____
011	_____	_____	036	_____	_____
012	_____	_____	037	_____	_____
013	_____	_____	038	_____	_____
014	_____	_____	039	_____	_____
015	_____	_____	040	_____	_____
016	_____	_____	041	_____	_____
017	_____	_____	042	_____	_____
018	_____	_____	043	_____	_____
019	_____	_____	044	_____	_____
020	_____	_____	045	_____	_____
021	_____	_____	046	_____	_____
022	_____	_____	047	_____	_____
023	_____	_____	048	_____	_____
024	_____	_____	049	_____	_____
025	_____	_____	050	_____	_____

Intentionally left blank

Table of contents

The listed documents are included in issue 001, dated 2024-10-30, of this publication.

Document title	Data module code	Issue date	Applicable to
Front matter			
Title page	C3DAIRPLANE- A-00-00-00-01A-001A-A	2024-10-30	
List of effective data modules	C3DAIRPLANE- A-00-00-00-01A-00SA-A	2024-10-30	
Change record	C3DAIRPLANE- A-00-00-00-01A-00TA-A	2024-10-30	
Table of contents	C3DAIRPLANE- A-00-00-00-01A-009A-A	2024-10-30	
55 - Stabilizers			
55-30 - Vertical stabilizer			
Vertical stabilizer	C3DAIRPLANE- A-55-30-00-00A-941A-A	2024-10-30	
55-40 - Rudder			
Rudder installation	C3DAIRPLANE- A-55-40-00-00A-941A-A	2024-10-30	
Leading edge	C3DAIRPLANE- A-55-41-00-00A-941A-A	2024-10-30	

Intentionally left blank

Vertical stabilizer

Illustrated Parts Data

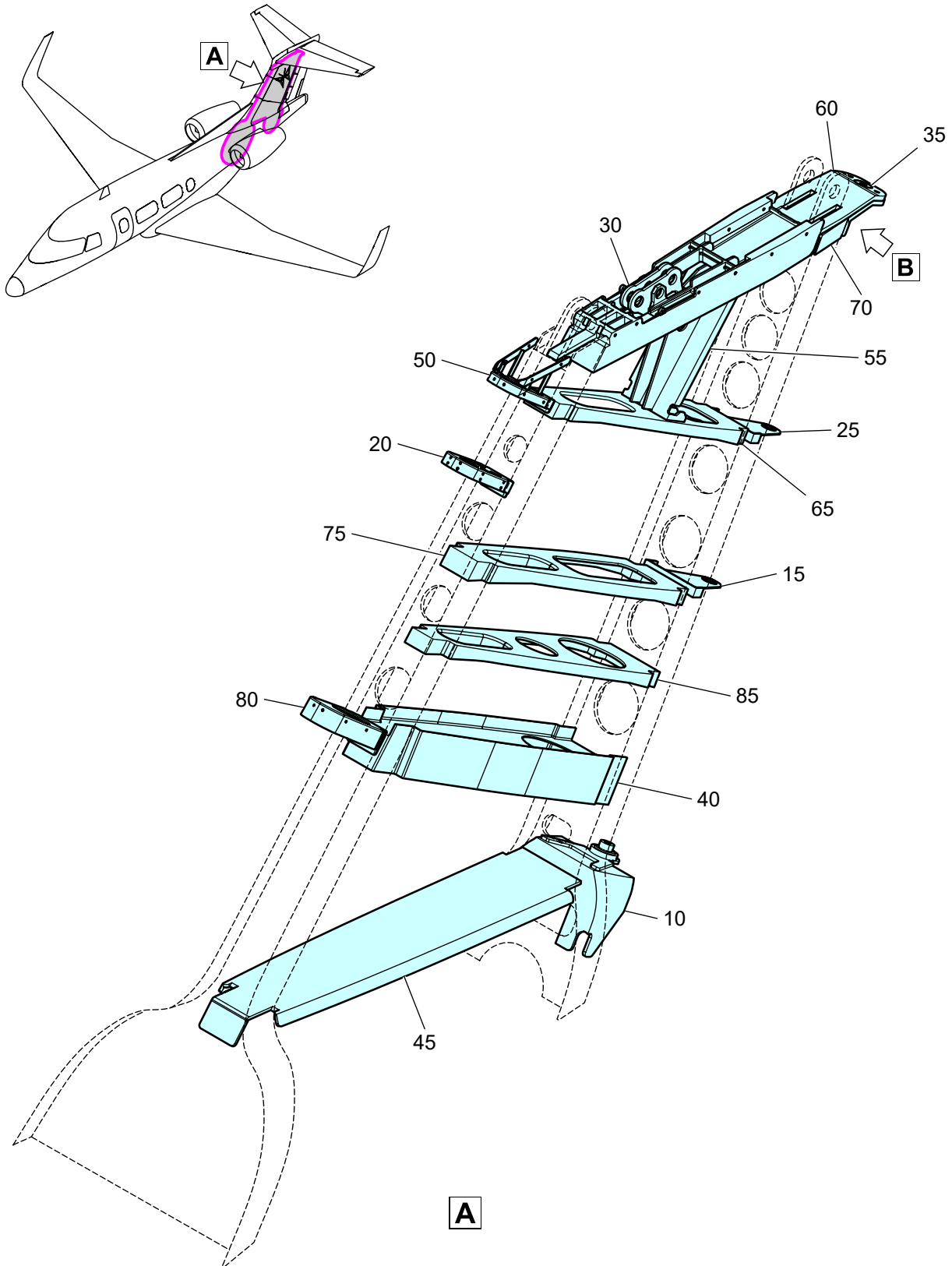
Table of contents

Page

Illustrated Parts Data 1

List of figures

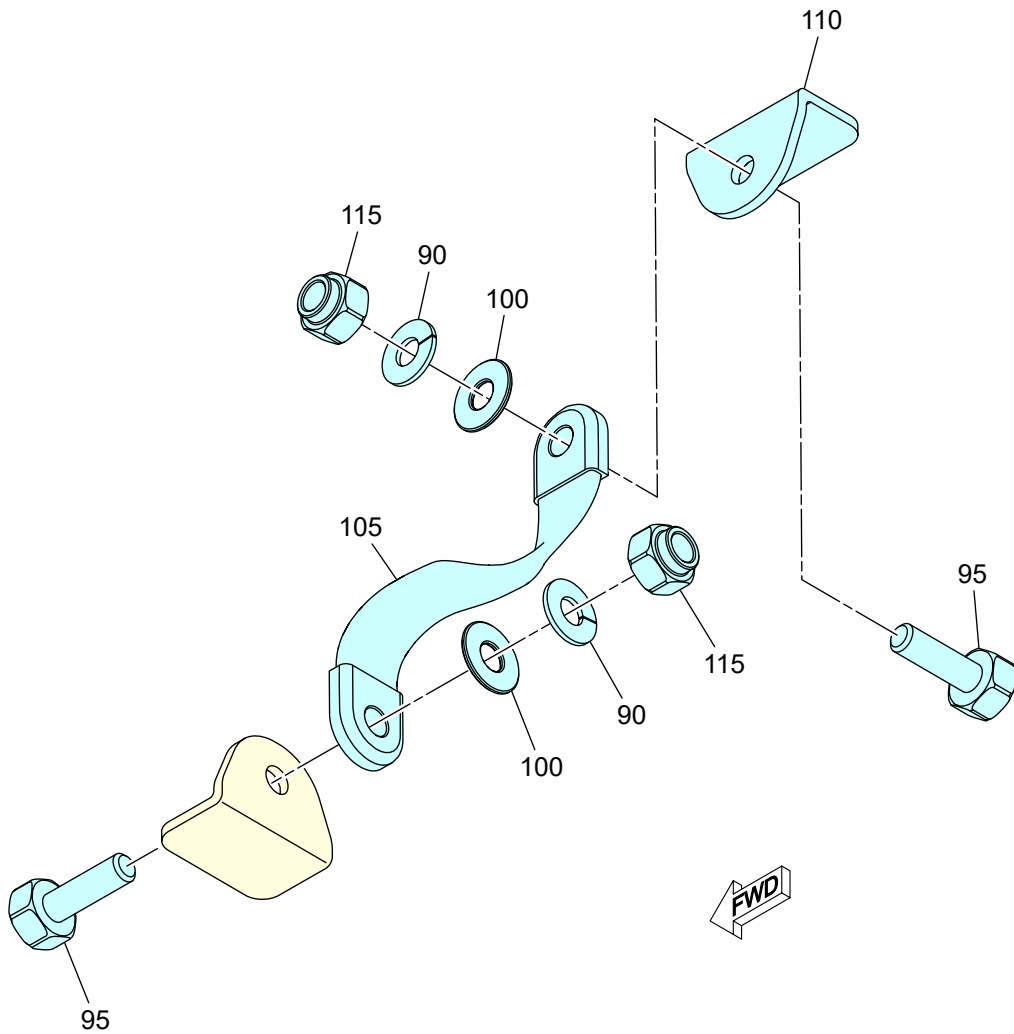
1 Vertical stabilizer (Sheet 1 of 2) 2
1 Vertical stabilizer (Sheet 2 of 2) 3



ICN-C3D-A-553000-0-00010-00008-A-001-01
Fig 1 Vertical stabilizer (Sheet 1 of 2)

Applicable to: All

C3DAIRPLANE-A-55-30-00-00A-941A-A



B

ICN-C3D-A-553000-0-00010-0000J-A-002-01
Fig 1 Vertical stabilizer (Sheet 2 of 2)

Fig	Item	Units per assembly/ Unit of issue	CAGE	Part No. NATO stock No.	Description	*Usable on code assy •MV/Effect	ICY
00A							
-	5	1		AF-55-30-000-A	Vertical Stabilizer		
	10	1		AF-55-30-001-U	•Bracket, LWR		
	15	1		AF-55-30-002-U	•Bearing Plate Assy		
	20	1		AF-55-30-003-U	•Rib 5, FWD		
	25	1		AF-55-30-004-U	•Bearing Plate Assy		
	30	1		AF-55-30-005-U	•Torque Link		
	35	1		AF-55-30-006-U	•Bushing		
	40	1		AF-55-30-007-U	•Rib 2, MID		
	45	1		AF-55-30-009-U	•Rib 1, LWR		
	50	1		AF-55-30-010-U	•Rib 6, FWD		
	55	1		AF-55-30-011-U	•Torque Link		
	60	1		AF-55-30-012-U	•Rib 7, WL		
	65	1		AF-55-30-013-U	•Rib 6, MID		
	70	1		AF-55-30-014-U	•Bracket, UPR		
	75	1		AF-55-30-016-U	•Rib 4, MID		
	80	1		AF-55-30-017-U	•Rib 2, FWD		
	85	1		AF-55-30-018-U	•Rib 3, MID		
	90	2		AF-55-30-030-F	•Washer		
	95	2		AF-55-30-031-F	•Bolt		
	100	2		AF-55-30-033-F	•Washer		
	105	1		AF-55-30-050-F	•Jumper Assy		
	110	1		AF-55-30-030-U	•Bracket		
	115	2		AF-55-30-032-F	•Nut		

Rudder installation

Illustrated Parts Data

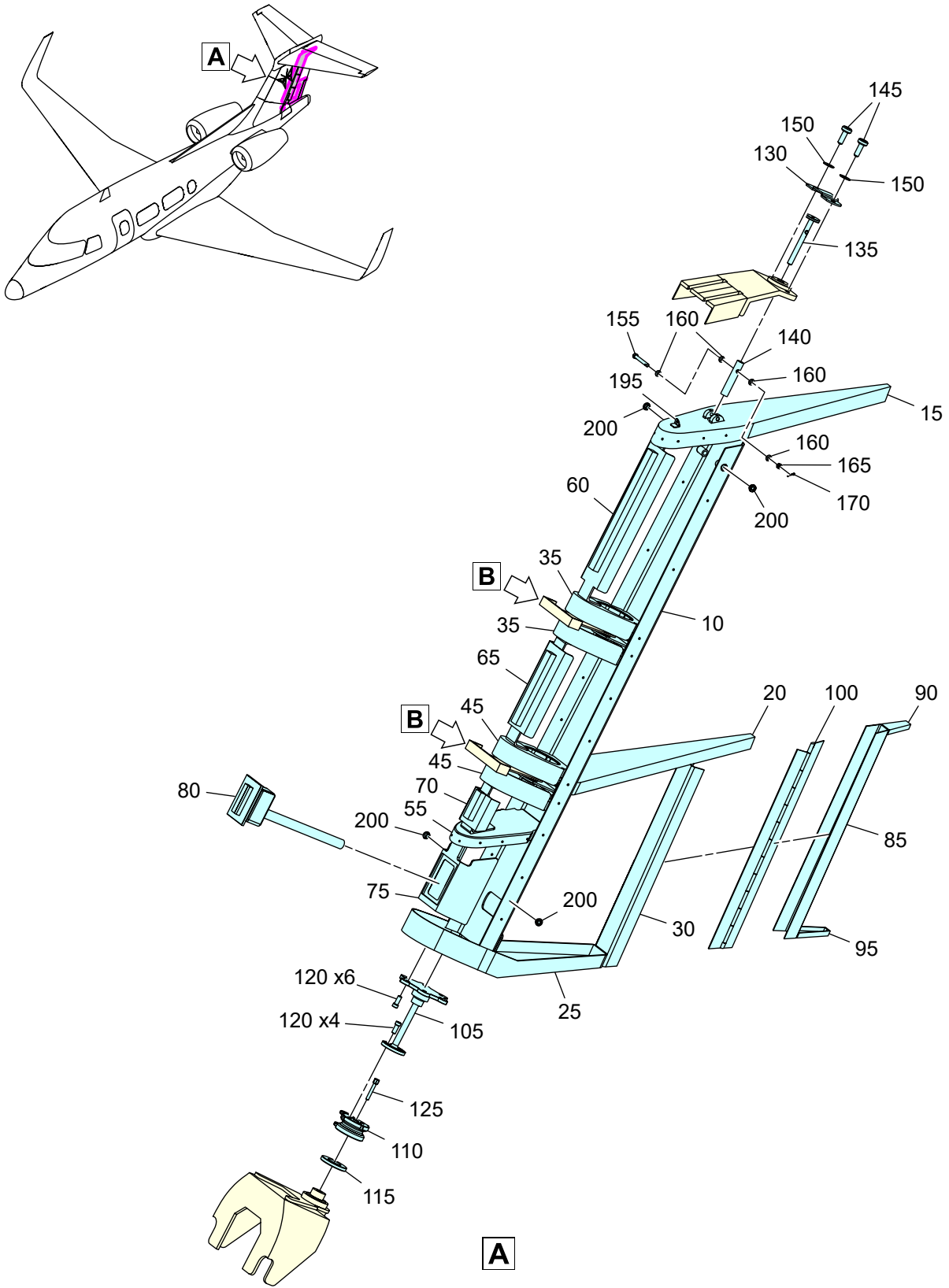
Table of contents

Page

Illustrated Parts Data	1
------------------------------	---

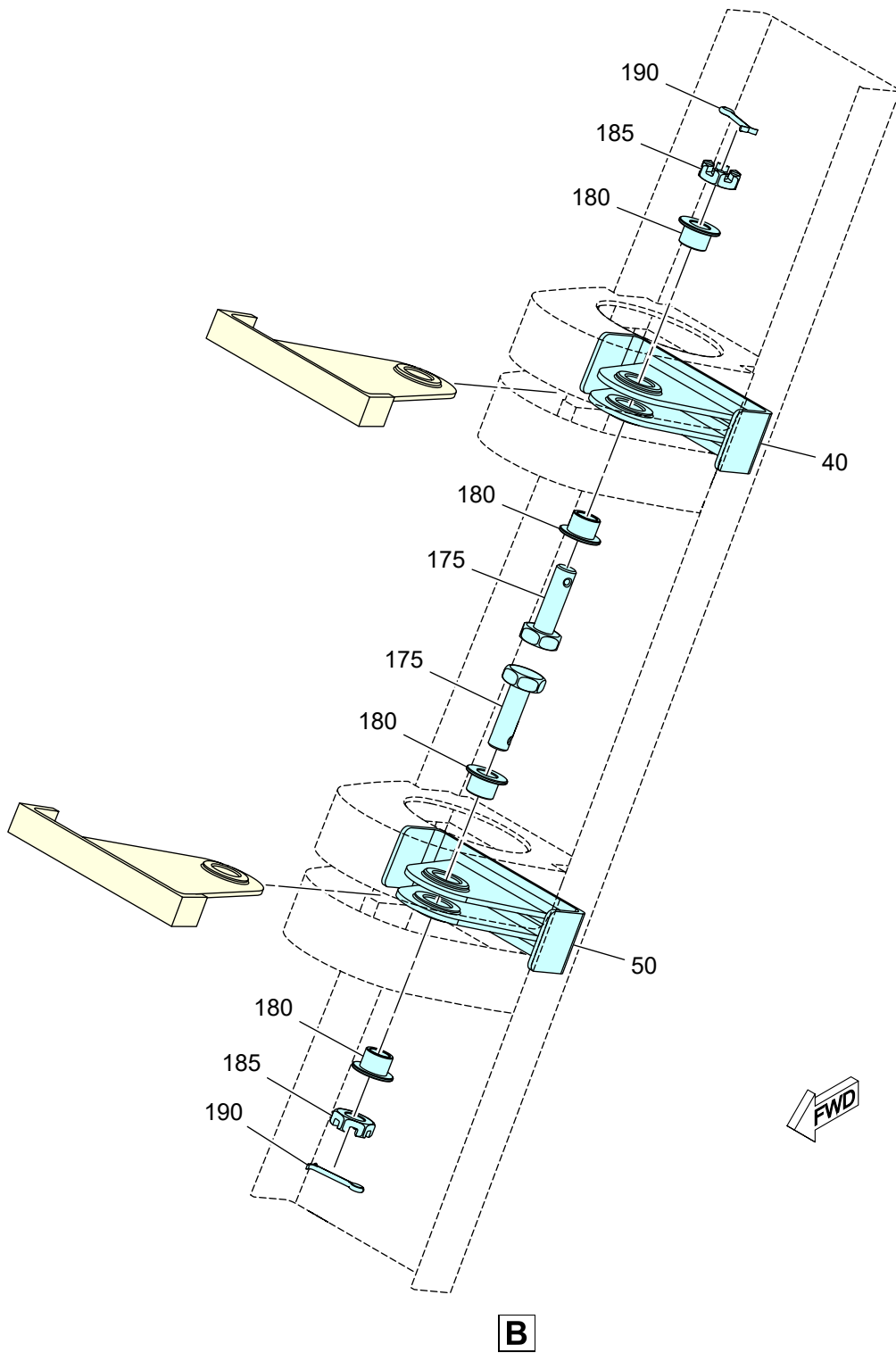
List of figures

1	Rudder installation (Sheet 1 of 2)	2
1	Rudder installation (Sheet 2 of 2)	3



ICN-C3D-A-554000-0-00010-0000D-A-001-01

Fig 1 Rudder installation (Sheet 1 of 2)



ICN-C3D-A-554000-0-00010-0000H-A-002-01

Fig 1 Rudder installation (Sheet 2 of 2)

Fig	Item	Units per assembly/ Unit of issue	CAGE	Part No. NATO stock No.	Description	*Usable on code assy •MV/Effect	ICY
00A							
-	1	1		AF-55-40-000-A	Rudder Installation		
-	5	1		AF-55-40-001-A	•Rudder Assy		
	10	1		AF-55-40-012-U	••Spar, FWD		
	15	1		AF-55-40-003-U	••Rib 5		
	20	1		AF-55-40-006-U	••Rib 3, AFT		
	25	1		AF-55-40-014-U	••Rib 1, CLSD		
	30	1		AF-55-40-013-U	••Spar, AFT		
	35	2		AF-55-40-021-U	••Rib 4, FWD		
	40	1		AF-55-40-017-U	••Hinge Bracket Assy		
	45	2		AF-55-40-020-U	••Rib 3, FWD		
	50	1		AF-55-40-008-U	••Hinge Bracket Assy		
	55	1		AF-55-40-038-U	••Rib 2, FWD		
	60	1		AF-55-40-039-U	••Bracket		
	65	1		AF-55-40-036-U	••Bracket		
	70	1		AF-55-40-037-U	••Bracket		
	75	1		AF-55-40-016-U	••Bracket		
	80	1		AF-55-40-007-U	••Actuator		
	85	1		AF-55-40-005-U	••Spar		
	90	1		AF-55-40-010-U	••Rib 3, UPR		
	95	1		AF-55-40-011-U	••Rib 1, LWR		
	100	1		AF-55-40-009-U	••Hinge		
	105	1		AF-55-40-002-U	•Rudder Shaft Assy		
	110	1		AF-55-40-024-U	•Bushing		
	115	1		AF-55-40-001-F	•Washer		
	120	10		AF-55-40-031-F	•Bolt		
	125	1		AF-55-40-027-F	•Bolt		
	130	1		AF-55-40-018-U	•Bracket		
	135	1		AF-55-40-019-F	•Pin		
	140	1		AF-55-40-023-U	•Bushing		
	145	2		AF-55-40-035-F	•Bolt		
	150	2		AF-55-40-029-F	•Washer		

Applicable to: All

C3DAIRPLANE-A-55-40-00-00A-941A-A

Fig	Item	Units per assembly/ Unit of issue	CAGE	Part No. NATO stock No.	Description	*Usable on code assy •MV/Effect	ICY
	155	1		AF-55-40-028-F	•Bolt		
	160	4		AF-55-40-034-F	•Washer		
	165	1		AF-55-40-033-F	•Nut		
	170	1		AF-55-40-032-F	•Cotter Pin		
	175	2		AF-55-40-022-F	••Bolt		
	180	4		AF-55-40-025-U	••Bushing		
	185	2		AF-55-40-026-F	••Nut		
	190	2		AF-55-40-030-F	••Cotter Pin		
	195	1		AF-55-40-070-U	•Bracket		
	200	4		AF-55-10-004-U	•Plug		

Intentionally left blank

Leading edge

Illustrated Parts Data

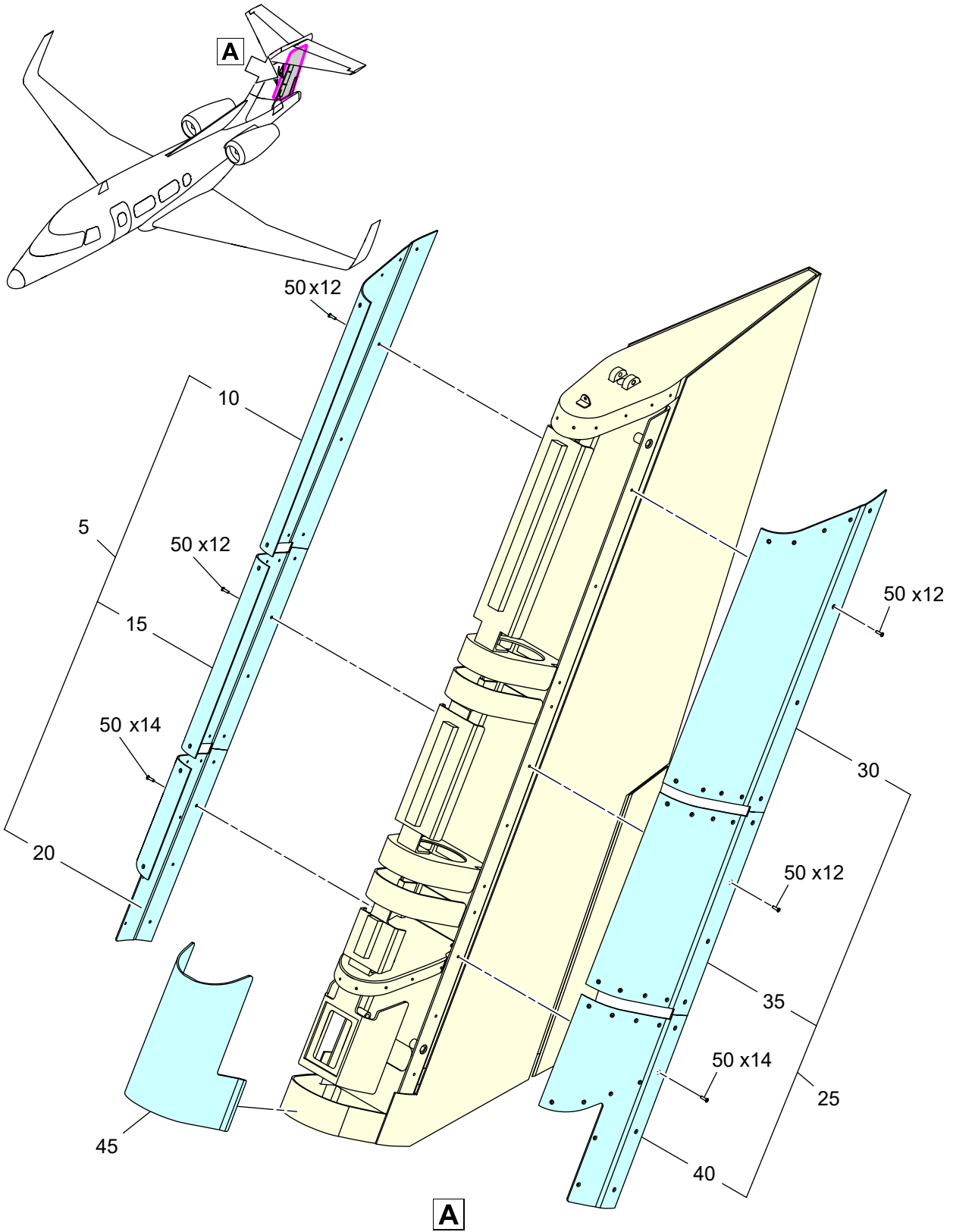
Table of contents

Page

Illustrated Parts Data 1

List of figures

1 Leading edge 2



ICN-C3D-A-554100-0-00010-0000L-A-001-01

Fig 1 Leading edge

Applicable to: All

C3DAIRPLANE-A-55-41-00-00A-941A-A

Fig	Item	Units per assembly/ Unit of issue	CAGE	Part No. NATO stock No.	Description	*Usable on code assy •MV/Effect	ICY
00A							
-	1	1		AF-55-41-000-A	Leading Edge		
	5	1		AF-55-42-000-R	•Leading Edge Skin, RH		
	10	1		AF-55-42-001-R	••Skin		
	15	1		AF-55-42-002-R	••Skin		
	20	1		AF-55-42-003-R	••Skin		
	25	1		AF-55-42-000-L	•Leading Edge Skin, LH		
	30	1		AF-55-42-001-L	••Skin		
	35	1		AF-55-42-002-L	••Skin		
	40	1		AF-55-42-003-L	••Skin		
	45	1		AF-55-41-100-U	•Leading Edge Skin, LWR		
	50	76		AF-55-40-004-F	•Screw		
