

Airplane

Aircraft Maintenance Manual

AMM

C3DAIRPLANE-00010-AMM01-00

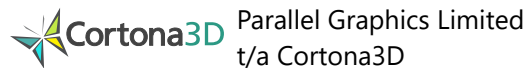
Issue No. 001, 31-10-2024



This is the demo of the S1000D publication. Publishing or distribution of any part of this demo is prohibited without prior written permission of the copyright holders.

© Parallel Graphics Limited t/a Cortona3D. All rights reserved.

Publisher:



Parallel Graphics Limited
t/a Cortona3D

Applicable to: All

C3DAIRPLANE-A-00-00-01-01A-001A-A

End of data module

UNCLASSIFIED

2024-10-31 Page 1

Intentionally left blank

The listed documents are included in issue 001, dated 2024-10-31, of this publication.

C = Changed data module

N = New data module

Document title	Data module code	Issue date	No. of pages	Applicable to
Title page	C3DAIRPLANE-A-00-00-01-01A-001A-A	N 2024-10-31	1	
List of effective data modules	C3DAIRPLANE-A-00-00-01-01A-00SA-A	N 2024-10-31	1	
Change record	C3DAIRPLANE-A-00-00-01-01A-00TA-A	N 2024-10-31	1	
Highlights	C3DAIRPLANE-A-00-00-01-01A-00UA-A	N 2024-10-31	1	
Table of contents	C3DAIRPLANE-A-00-00-01-01A-009A-A	N 2024-10-31	1	
Vertical stabilizer <i>Remove procedure</i>	C3DAIRPLANE-A-55-30-00-00A-520A-A	N 2024-10-31	11	
Vertical stabilizer <i>Install procedure</i>	C3DAIRPLANE-A-55-30-00-00A-720A-A	N 2024-10-31	10	

Intentionally left blank

Make sure that the previous revisions have been incorporated.

Incorporated revisions must be recorded with the date of incorporation and a signature.

Issue	Incorporated date	by (signature)	Issue	Incorporated date	by (signature)
001	_____	_____	026	_____	_____
002	_____	_____	027	_____	_____
003	_____	_____	028	_____	_____
004	_____	_____	029	_____	_____
005	_____	_____	030	_____	_____
006	_____	_____	031	_____	_____
007	_____	_____	032	_____	_____
008	_____	_____	033	_____	_____
009	_____	_____	034	_____	_____
010	_____	_____	035	_____	_____
011	_____	_____	036	_____	_____
012	_____	_____	037	_____	_____
013	_____	_____	038	_____	_____
014	_____	_____	039	_____	_____
015	_____	_____	040	_____	_____
016	_____	_____	041	_____	_____
017	_____	_____	042	_____	_____
018	_____	_____	043	_____	_____
019	_____	_____	044	_____	_____
020	_____	_____	045	_____	_____
021	_____	_____	046	_____	_____
022	_____	_____	047	_____	_____
023	_____	_____	048	_____	_____
024	_____	_____	049	_____	_____
025	_____	_____	050	_____	_____

Intentionally left blank

The listed documents are included in issue 001, dated 2024-10-31, of this publication.

Data module	Reason for update
C3DAIRPLANE-A-00-00-01-01A-001A-A	New data module
C3DAIRPLANE-A-00-00-01-01A-00SA-A	New data module
C3DAIRPLANE-A-00-00-01-01A-00TA-A	New data module
C3DAIRPLANE-A-00-00-01-01A-00UA-A	New data module
C3DAIRPLANE-A-00-00-01-01A-009A-A	New data module
C3DAIRPLANE-A-55-30-00-00A-520A-A	New data module
C3DAIRPLANE-A-55-30-00-00A-720A-A	New data module

Intentionally left blank

The listed documents are included in issue 001, dated 2024-10-31, of this publication.

Document title	Data module code	Issue date	Applicable to
Front Matter			
Title page	C3DAIRPLANE- A-00-00-01-01A-001A-A	2024-10-31	
List of effective data modules	C3DAIRPLANE- A-00-00-01-01A-00SA-A	2024-10-31	
Change record	C3DAIRPLANE- A-00-00-01-01A-00TA-A	2024-10-31	
Highlights	C3DAIRPLANE- A-00-00-01-01A-00UA-A	2024-10-31	
Table of contents	C3DAIRPLANE- A-00-00-01-01A-009A-A	2024-10-31	
55 - Stabilizers			
55-30 - Vertical Stabilizer			
Vertical stabilizer <i>Remove procedure</i>	C3DAIRPLANE- A-55-30-00-00A-520A-A	2024-10-31	
Vertical stabilizer <i>Install procedure</i>	C3DAIRPLANE- A-55-30-00-00A-720A-A	2024-10-31	

Intentionally left blank

Vertical stabilizer

Remove procedure

Table of contents

Page

Remove procedure	1
Preliminary requirements	1
Procedure	3
Requirements after job completion	11

List of figures

1	Vertical stabilizer - Remove procedure (Sheet 1 of 5)	6
1	Vertical stabilizer - Remove procedure (Sheet 2 of 5)	7
1	Vertical stabilizer - Remove procedure (Sheet 3 of 5)	8
1	Vertical stabilizer - Remove procedure (Sheet 4 of 5)	9
1	Vertical stabilizer - Remove procedure (Sheet 5 of 5)	10

List of tables

1	Required conditions	1
2	Support equipment	2
3	Consumables, materials and expendables	2
4	Spares	2
5	Required conditions	11

Preliminary requirements

Required conditions

Table 1 Required conditions

Action/Condition	Data module/Technical publication
Place hydraulic elevators under the airplane and raise the airplane	
Install the self-propelled platform in the service area	
Install the lifting platform in the service area	
Remove the horizontal stabilizer	C3D-A-55-10-00-00A-520A-A

Applicable to: All

C3DAIRPLANE-A-55-30-00-00A-520A-A

Support equipment

Table 2 Support equipment

Name	Identification/Reference	Quantity	Remarks
Lifting crane		1	
Rudder traverse		1	
Self-propelled service platform		1	
Lifting platform		1	

Consumables, materials and expendables

Table 3 Consumables, materials and expendables

Name	Identification/Reference	Quantity	Remarks
None			

Spares

Table 4 Spares

Name	Identification/Reference	Quantity	Remarks
Plug		4	
Nut		1	
Washer		1	

Safety conditions

WARNING

Follow the general safety requirements for aircraft maintenance.

Follow the safety requirements for fuselage maintenance.

Follow the safety requirements for maintenance of the plumage.

WARNING

Ensure that lifting and transportation equipment is serviceable and has undergone inspection. Failure to comply with this requirement may result in potential injuries to

maintenance personnel and damage to the airplane.

Ensure that lifting and transportation equipment is cleared of snow, ice, oil, and dirt to prevent potential injuries to maintenance personnel.

Do not overload the lifting and transportation equipment beyond the set limit, as doing so may result in potential injuries to maintenance personnel and damage to the airplane.

Ensure that the lifting and transportation equipment is securely placed on outriggers to maintain stability during operations.

WARNING

Use safety harnesses and mats. Failure to comply with this requirement may cause potential injuries to maintenance personnel.

Follow the manufacturer's safety requirements when working with lifting equipment to prevent potential injuries or health hazards to maintenance personnel, as well as damage to the airplane and equipment.

Procedure

1

WARNING

Use caution when disassembling the Rudder. The weight of the Rudder is 300 lb. Failure to comply with this requirement may result in potential injuries or other health hazards to maintenance personnel and damage to the airplane.

- 2 Disconnect the jumper assy [14] as follows:
 - 2.1 Remove the nut [13] and dispose of it. Remove the washer [12] and dispose of it. Remove the washer [11] and bolt [10].
 - 2.2 Disconnect the jumper assy [14].
- 3 Turn the rudder to the right until it stops.
- 4 Remove the left leading edge skins of the rudder and the left stringer panel as follows:
 - 4.1 Remove the upper skin [1] as follows:
 - 4.1.1 Remove the screws [9] of the upper skin [1].
 - 4.1.2 Remove the upper skin [1].
 - 4.2 Remove the middle skin [2] similar to the upper skin [1].
 - 4.3 Remove the lower skin [3] similar to the upper skin [1].
 - 4.4 Remove the stringer panel [4] as follows:
 - 4.4.1 Remove the screws [9] from the stringer panel [4].

-
- 4.4.2 Remove the stringer panel [4].
- 5 Turn the rudder to its original position.
- 6 Turn the rudder to the left until it stops.
- 7 Remove the right leading edge skins of the rudder and the right stringer panel as follows:
- 7.1 Remove the upper skin [5] as follows:
- 7.1.1 Remove the screws [9] of the upper skin [5].
- 7.1.2 Remove the upper skin [5].
- 7.2 Remove the middle skin [6] similar to the upper skin [5].
- 7.3 Remove the lower skin [7] similar to the upper skin [5].
- 7.4 Remove the stringer panel [8] as follows:
- 7.4.1 Remove the screws [9] from the stringer panel [8].
- 7.4.2 Remove the stringer panel [8].
- 8 Turn the rudder to its original position.
- 9 Install the traverse assy as follows:
- 9.1 Remove the plugs [15] and dispose of them.
- 9.2 Install the traverses [31]. Install the bolts [30].
- 10 Remove the fastening bearing plate assy as follows:

10.1

WARNING

Use eye protection when working with cotter pins. Pieces of cotter pins can injure maintenance personnel.

Remove the Cotter Pin [27] and dispose of it. Remove the nut [28] and bolt [30]. Remove the Bushings [29].

10.2

WARNING

Use eye protection when working with cotter pins. Pieces of cotter pins can injure maintenance personnel.

Remove the cotter pin [27] and dispose of it. Remove the nut [28] and bolt [30]. Remove the bushings [29].

11

Remove the bolts [22], remove the washers [21]. Remove the bracket [23].

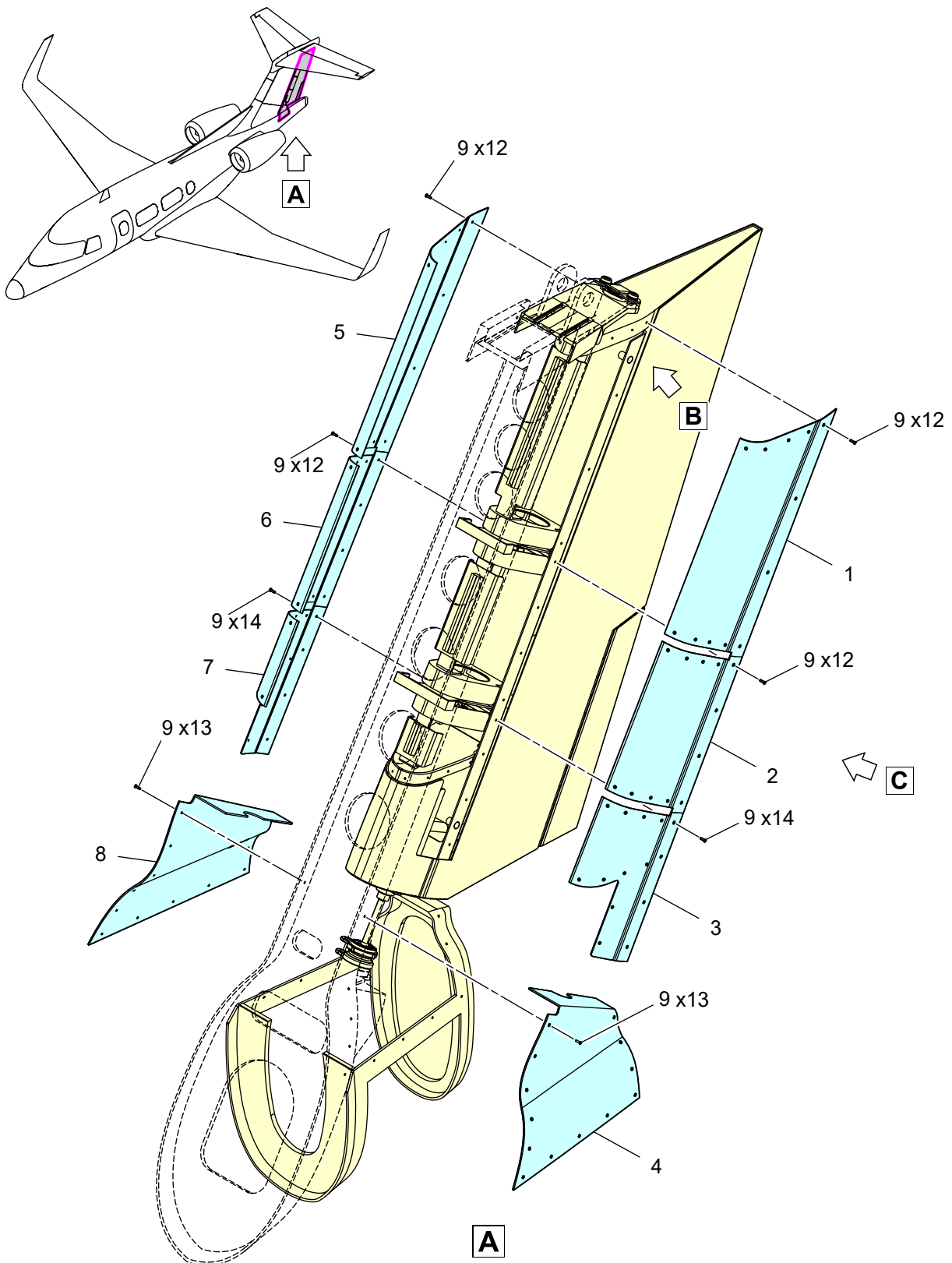
12

WARNING

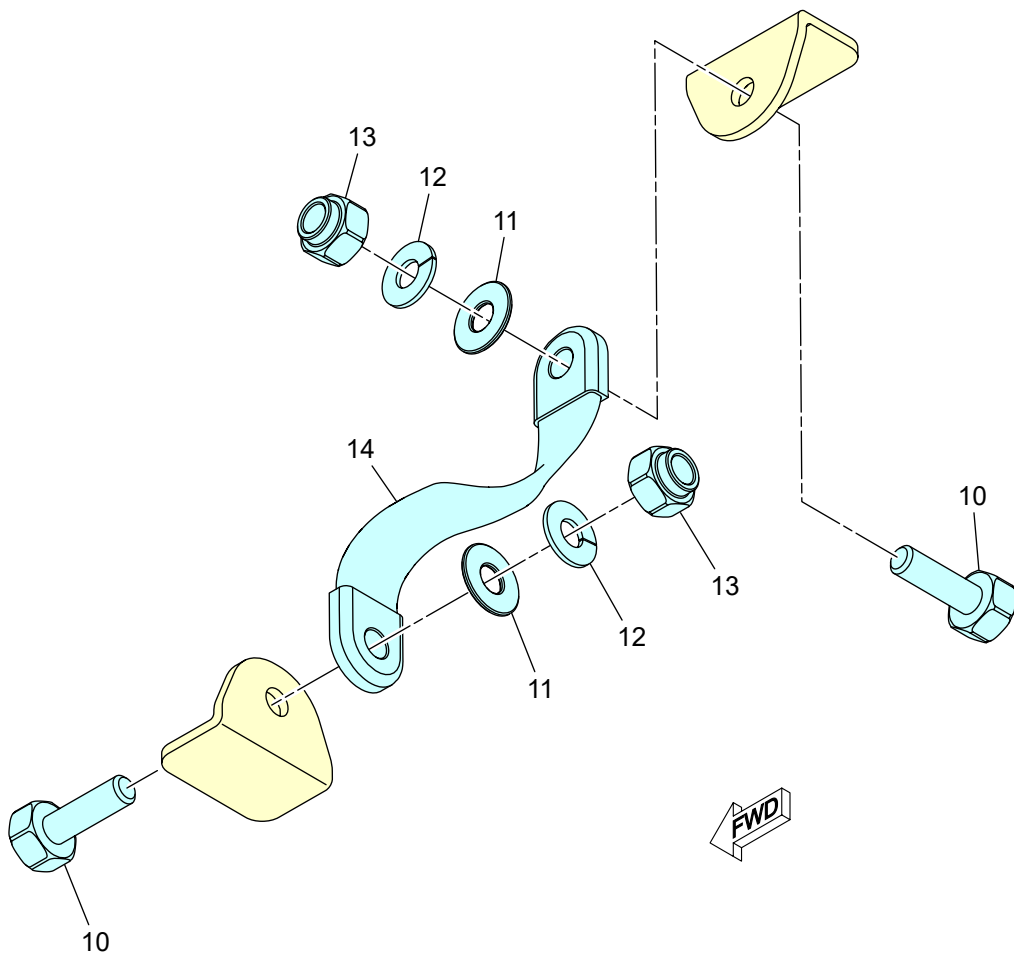
Use eye protection when working with cotter pins. Pieces of cotter pins can injure maintenance personnel.

Remove the cotter pin [16] and dispose of it. Remove the nut [17] and bolt [24]. Remove the washers [18].

- 13 Extract the pin [\[20\]](#).
- 14 Extract the bushing [\[19\]](#).
- 15 Remove the rudder shaft assy as follows:
 - 15.1 Remove the bolts [\[25\]](#).
 - 15.2 Remove the bolts [\[25\]](#).
 - 15.3 Remove the rudder shaft assy [\[26\]](#).
- 16 Remove the rudder and place it in the transportation fixture.

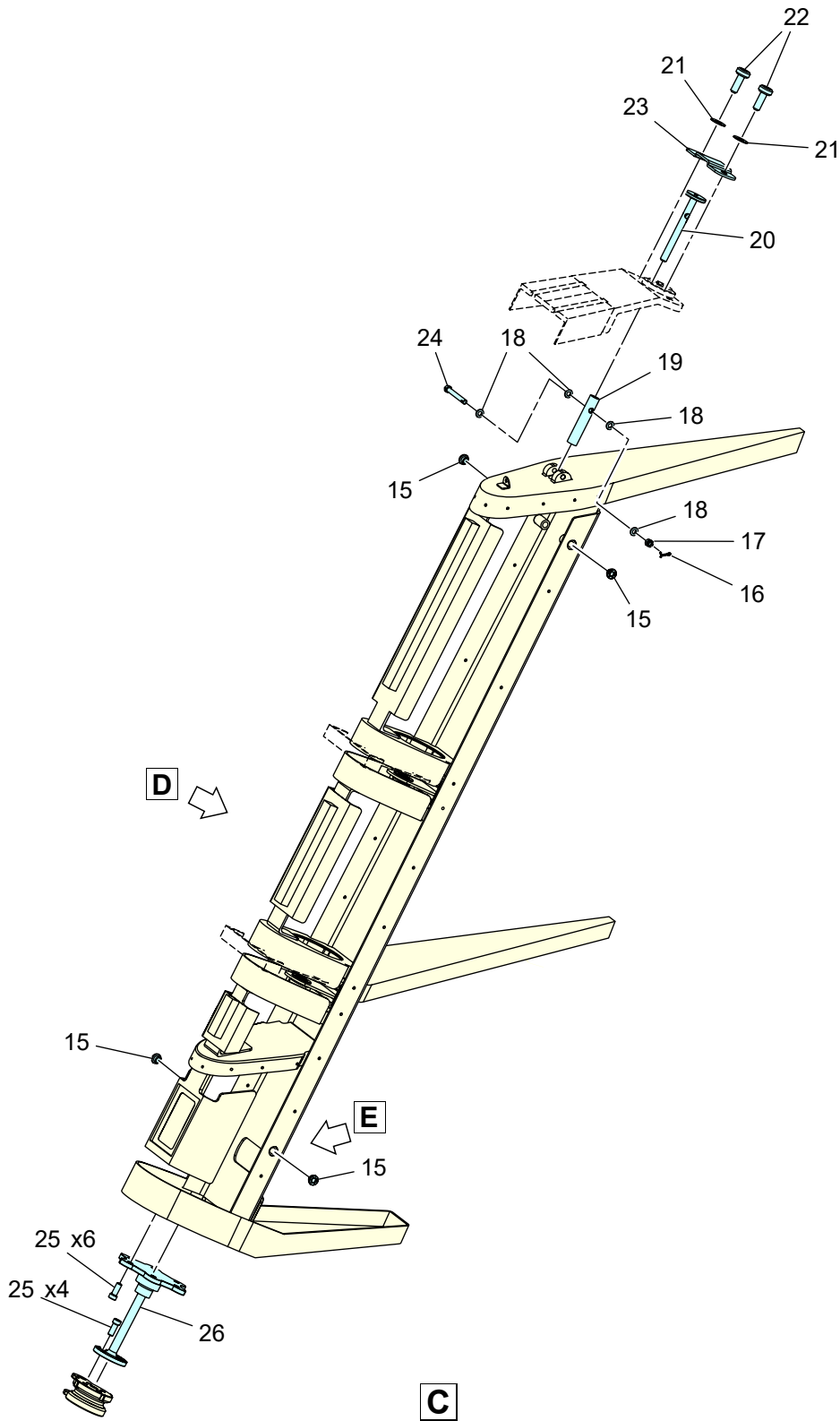


ICN-C3D-A-553000-A-00010-00002-A-001-01
Fig 1 Vertical stabilizer - Remove procedure (Sheet 1 of 5)

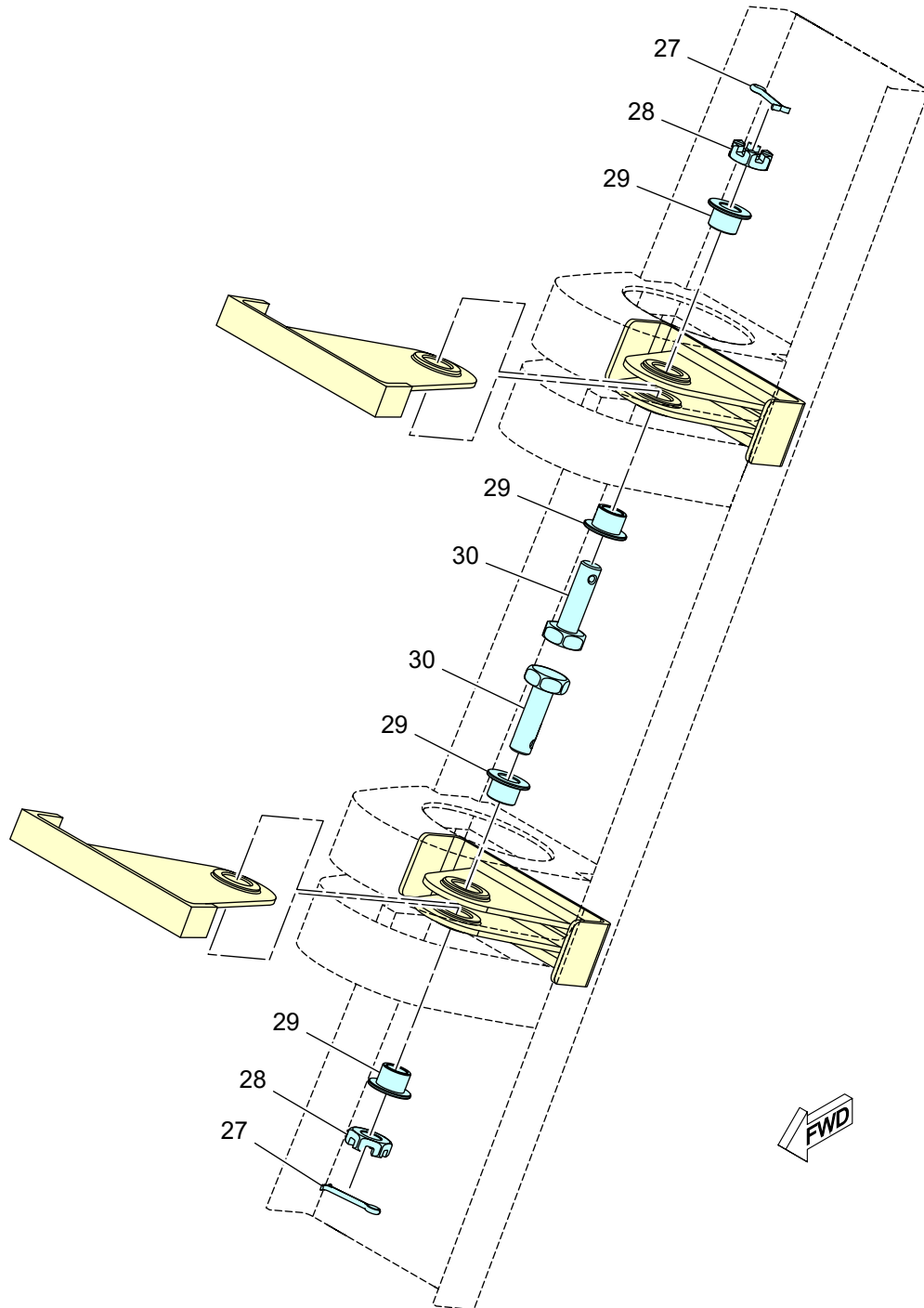


B

ICN-C3D-A-553000-A-00010-00003-A-001-01
Fig 1 Vertical stabilizer - Remove procedure (Sheet 2 of 5)

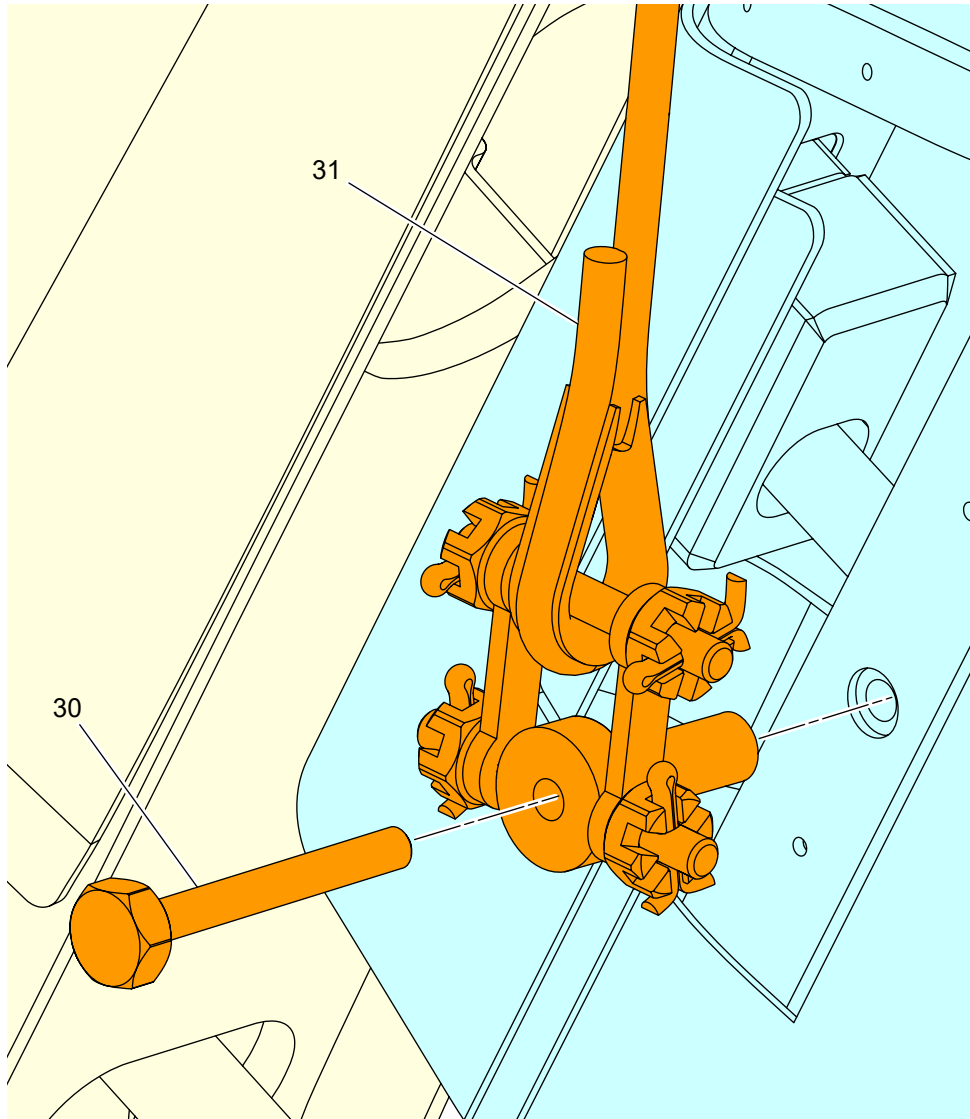


ICN-C3D-A-553000-A-00010-00004-A-001-01
Fig 1 Vertical stabilizer - Remove procedure (Sheet 3 of 5)



D

ICN-C3D-A-553000-A-00010-00005-A-001-01
Fig 1 Vertical stabilizer - Remove procedure (Sheet 4 of 5)



E

ICN-C3D-A-553000-A-00010-00006-A-001-01
Fig 1 Vertical stabilizer - Remove procedure (Sheet 5 of 5)

Requirements after job completion

Required conditions

Table 5 Required conditions

Action/Condition	Data module/Technical publication
Make sure the service area is clean and free of tools and foreign objects	

Intentionally left blank

Vertical stabilizer

Install procedure

Table of contents

Page

Install procedure	1
Preliminary requirements	1
Procedure	3
Requirements after job completion	10

List of figures

1	Vertical stabilizer - Install procedure (Sheet 1 of 5)	5
1	Vertical stabilizer - Install procedure (Sheet 2 of 5)	6
1	Vertical stabilizer - Install procedure (Sheet 3 of 5)	7
1	Vertical stabilizer - Install procedure (Sheet 4 of 5)	8
1	Vertical stabilizer - Install procedure (Sheet 5 of 5)	9

List of tables

1	Required conditions	1
2	Support equipment	2
3	Consumables, materials and expendables	2
4	Spares	2
5	Required conditions	10

Preliminary requirements

Required conditions

Table 1 Required conditions

Action/Condition	Data module/Technical publication
Place hydraulic elevators under the airplane and raise the airplane.	
Install the self-propelled platform in the service area.	
Install the lifting platform in the service area	

Support equipment

Table 2 Support equipment

Name	Identification/Reference	Quantity	Remarks
Lifting crane		1	
Rudder traverse		1	
Self-propelled service platform		1	
Lifting platform		1	

Consumables, materials and expendables

Table 3 Consumables, materials and expendables

Name	Identification/Reference	Quantity	Remarks
None			

Spares

Table 4 Spares

Name	Identification/Reference	Quantity	Remarks
Plug		4	
Nut		1	
Washer		1	

Safety conditions

WARNING

Follow the general safety requirements for aircraft maintenance.

Follow the safety requirements for fuselage maintenance.

Follow the safety requirements for maintenance of the plumage.

WARNING

Ensure that lifting and transportation equipment is serviceable and has undergone inspection. Failure to comply with this requirement may result in potential injuries to

maintenance personnel and damage to the airplane.

Ensure that lifting and transportation equipment is cleared of snow, ice, oil, and dirt to prevent potential injuries to maintenance personnel.

Do not overload the lifting and transportation equipment beyond the set limit, as doing so may result in potential injuries to maintenance personnel and damage to the airplane.

Ensure that the lifting and transportation equipment is securely placed on outriggers to maintain stability during operations.

WARNING

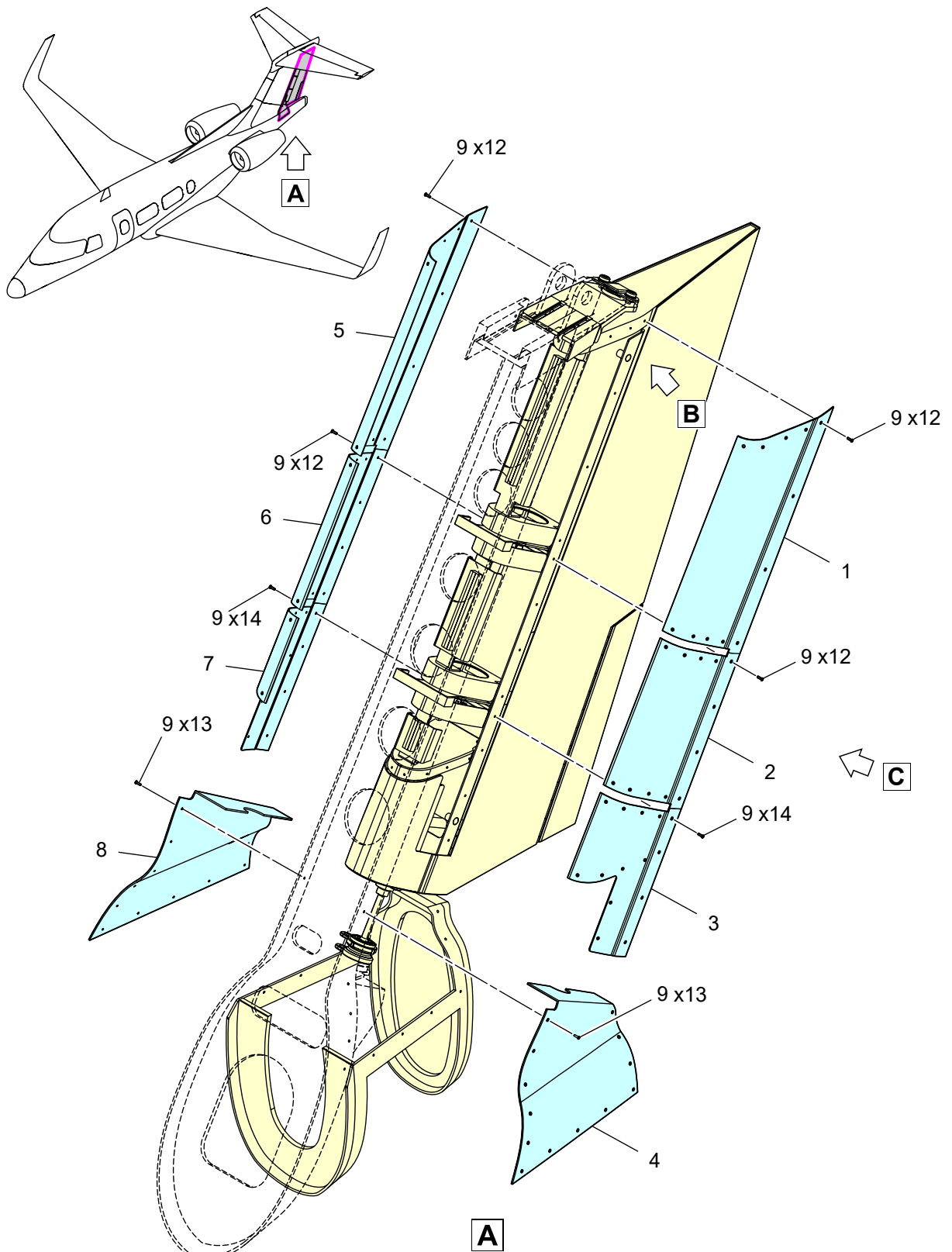
Use safety harnesses and mats. Failure to comply with this requirement may cause potential injuries to maintenance personnel.

Follow the manufacturer's safety requirements when working with lifting equipment to prevent potential injuries or health hazards to maintenance personnel, as well as damage to the airplane and equipment.

Procedure

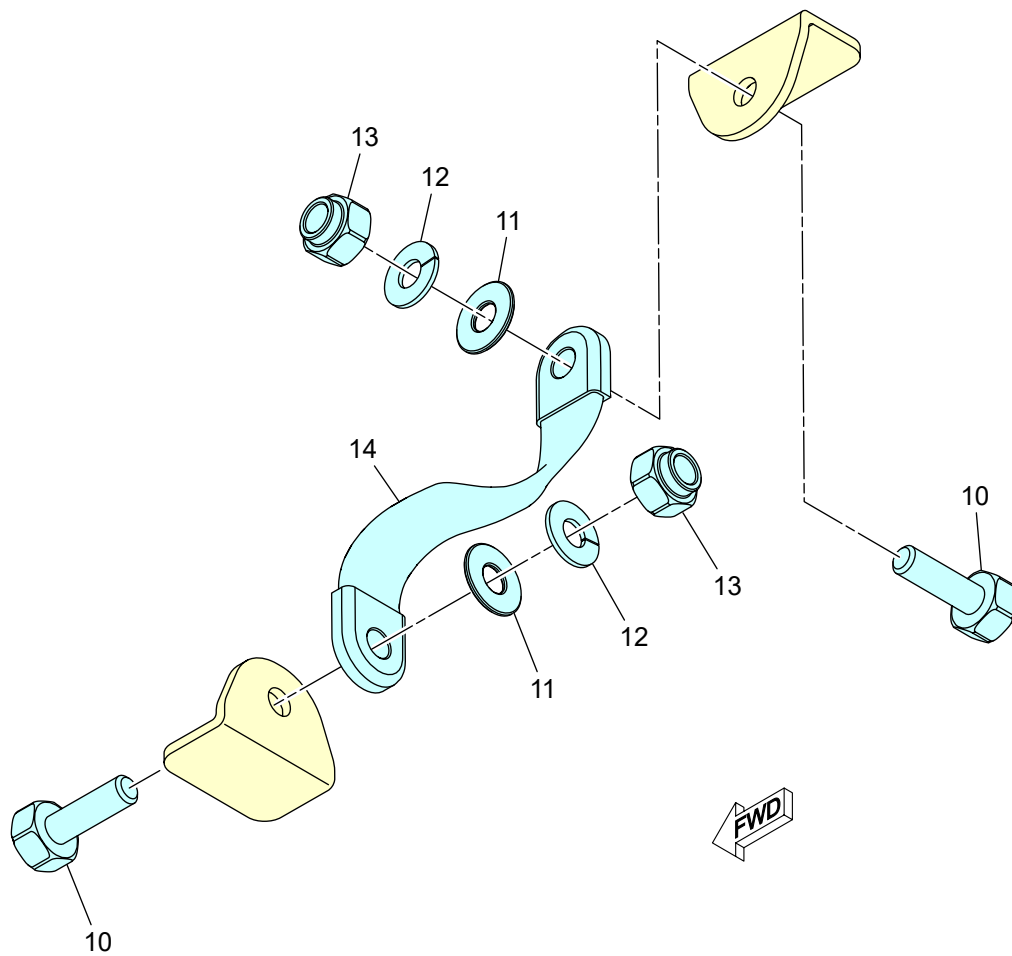
- 1 Install the rudder using the traverse assy into the seats.
- 2 Install the rudder shaft assy [26] as follows:
 - 2.1 Install the rudder shaft assy [26].
 - 2.2 Install the bolts [25].
 - 2.3 Install the bolts [25].
- 3 Install the bushing [19].
- 4 Install the pin [20].
- 5 Install the washers [18]. Install bolt [24] and nut [17]. Install the cotter pin [16].
- 6 Install the bracket [23]. Install the washers [21]. Install the bolts [22].
- 7 Install the fastening bearing plate assy as follows:
 - 7.1 Install the bushings [29]. Install the bolt [30] and the nut [28]. Install the cotter pin [27].
 - 7.2 Install the bushings [29]. Install the bolt [30] and nut [28]. Install the cotter pin [27].
- 8 Remove the traverse assy as follows:
 - 8.1 Remove the bolts [30]. Remove the traverses [31].
 - 8.2 Install the plugs [15].
- 9 Turn the rudder to the left until it stops.

-
- 10 Remove the right leading edge skins of the rudder and the right stringer panel as follows:
 - 10.1 Install the stringer panel [8] as follows:
 - 10.1.1 Install the stringer panel [8].
 - 10.1.2 Install the screws [9] from the stringer panel [8].
 - 10.2 Install the upper skin [5] as follows:
 - 10.2.1 Install the upper skin [5].
 - 10.2.2 Install the screws [9] of the upper skin [5].
 - 10.3 Install the middle skin [6] similar to the upper skin [5].
 - 10.4 Install the lower skin [7] similar to the upper skin [5].
 - 11 Turn the rudder to its original position.
 - 12 Turn the rudder to the right until it stops.
 - 13 Install the left leading edge skins of the rudder and the left stringer panel as follows:
 - 13.1 Install the stringer panel [4] as follows:
 - 13.1.1 Install the stringer panel [4].
 - 13.1.2 Install the screws [9] from the stringer panel [4].
 - 13.2 Install the upper skin [1] as follows:
 - 13.2.1 Install the upper skin [1].
 - 13.2.2 Install the screws [9] of the upper skin [1].
 - 13.3 Install the middle skin [2] similar to the upper skin [1].
 - 13.4 Install the lower skin [3] similar to the upper skin [1].
 - 14 Turn the rudder to its original position.
 - 15 Connect the jumper assy [14] as follows:
 - 15.1 Connect the jumper assy [14].
 - 15.2 Install the bolt [10] and washer [11]. Install the washer [12]. Install the nut [13].



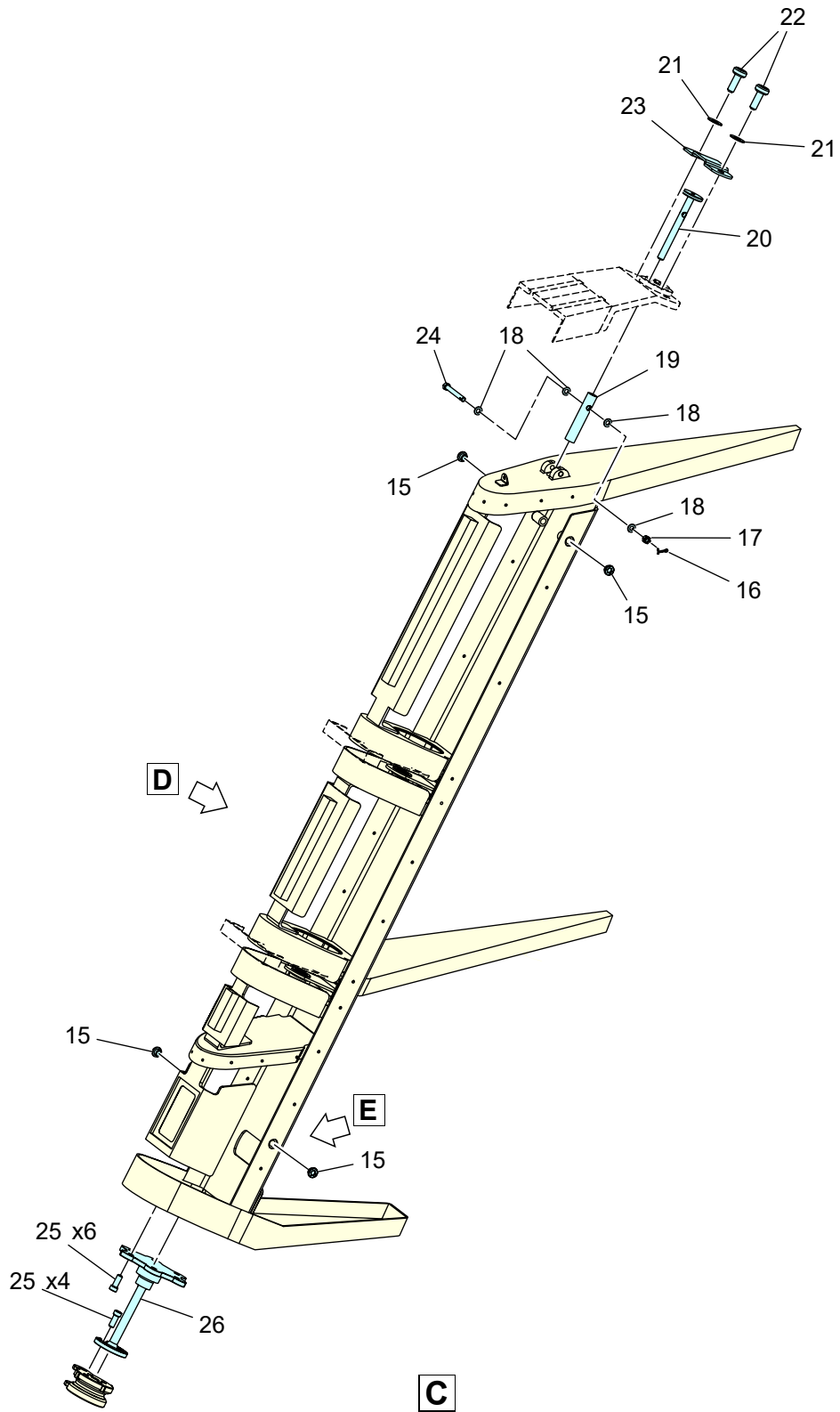
ICN-C3D-A-553000-A-00010-00002-A-001-01

Fig 2 Vertical stabilizer - Install procedure (Sheet 1 of 5)

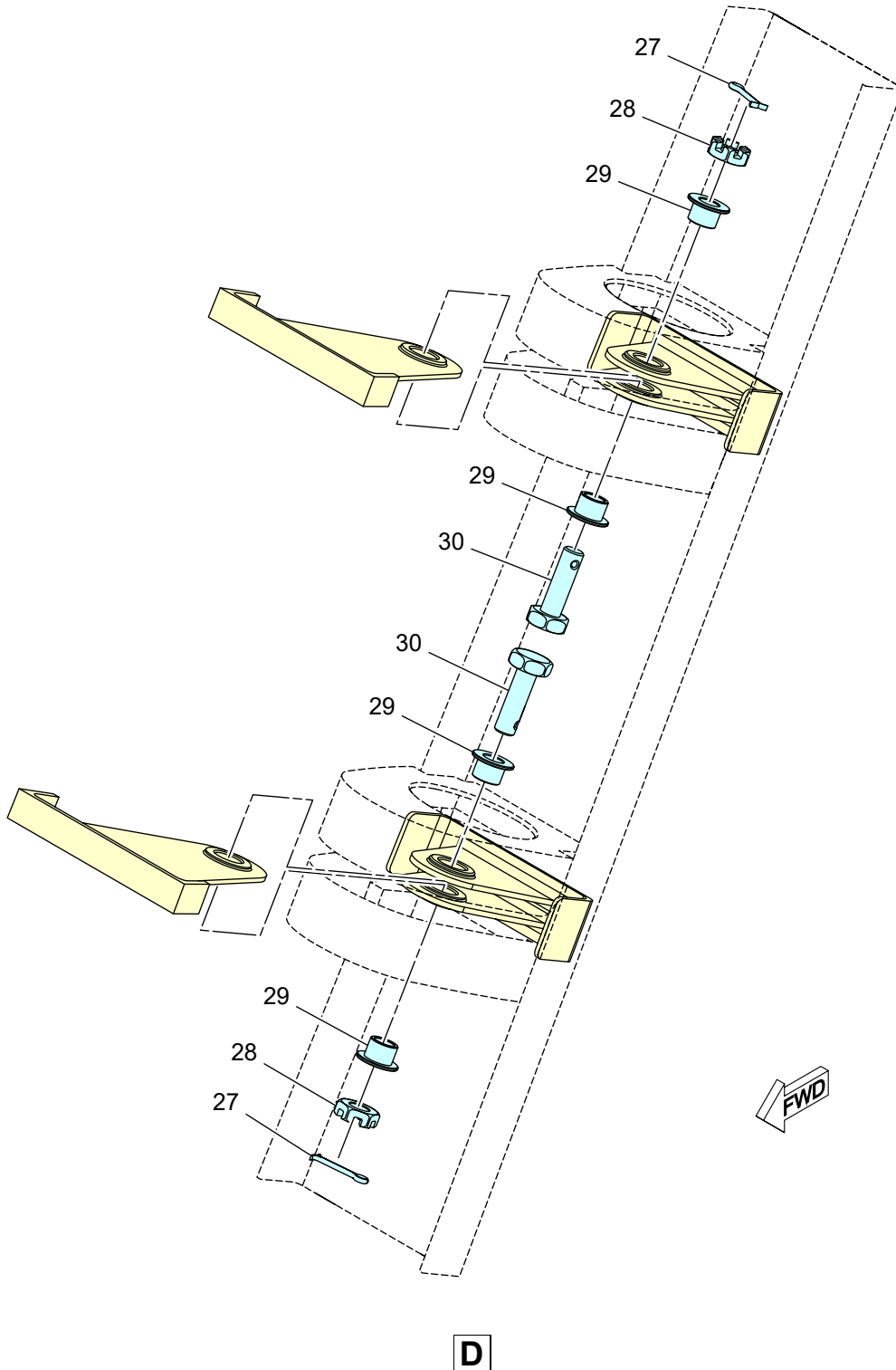


B

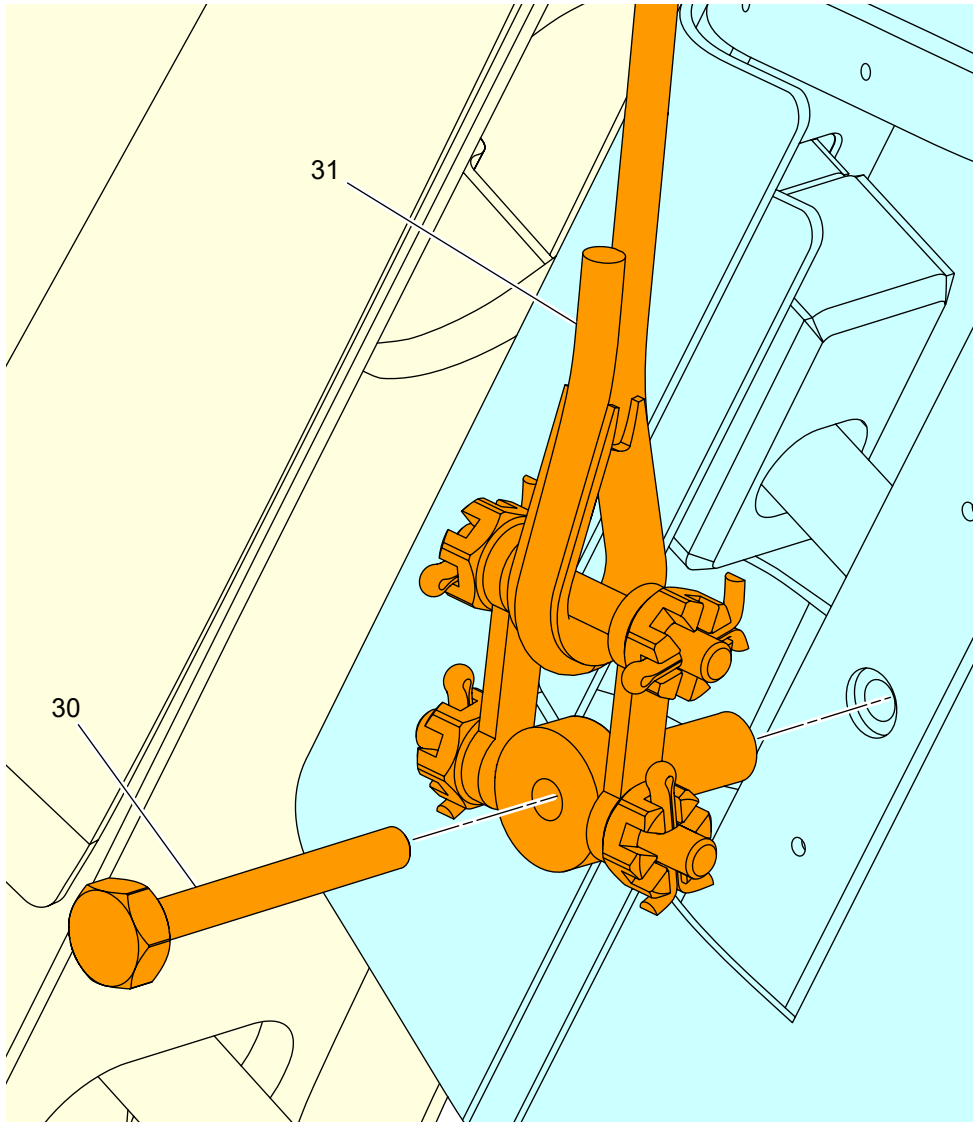
ICN-C3D-A-553000-A-00010-00003-A-001-01
Fig 2 Vertical stabilizer - Install procedure (Sheet 2 of 5)



ICN-C3D-A-553000-A-00010-00004-A-001-01
Fig 2 Vertical stabilizer - Install procedure (Sheet 3 of 5)



ICN-C3D-A-553000-A-00010-00005-A-001-01
Fig 2 Vertical stabilizer - Install procedure (Sheet 4 of 5)



E

ICN-C3D-A-553000-A-00010-00006-A-001-01
Fig 2 Vertical stabilizer - Install procedure (Sheet 5 of 5)

Requirements after job completion

Required conditions

Table 5 Required conditions

Action/Condition	Data module/Technical publication
Make sure the service area is clean and free of tools and foreign objects	
