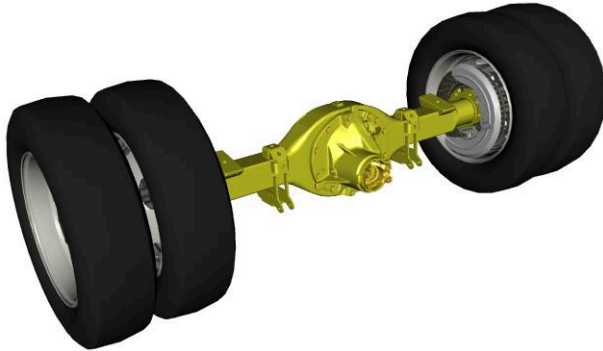


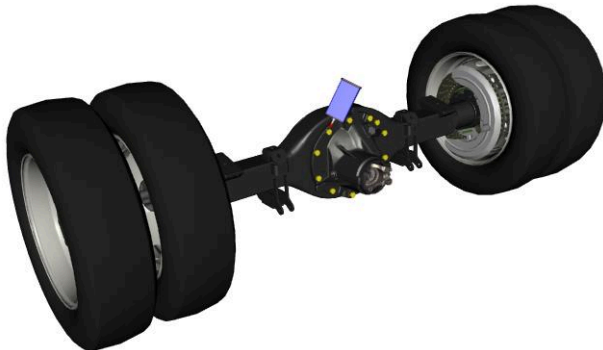
# Axle Yoke Bearing Inspection DITA Procedure

---

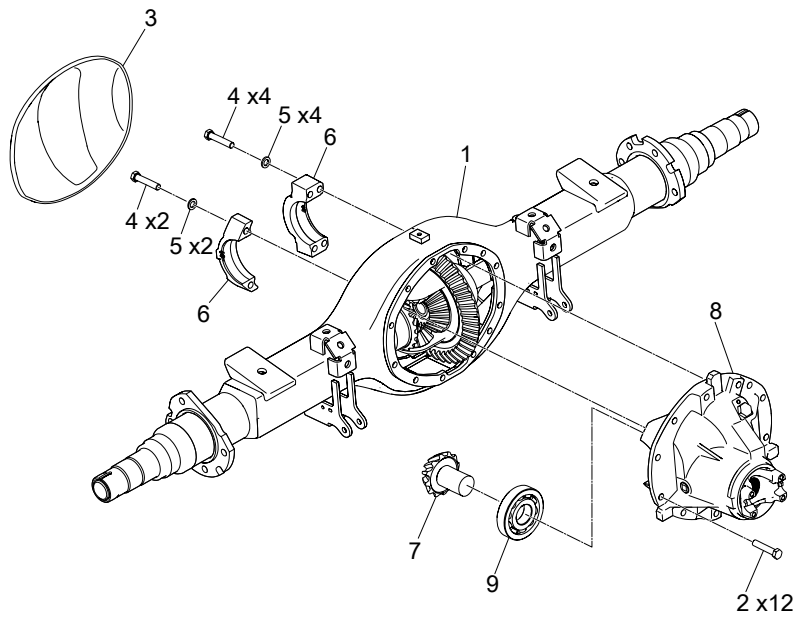
1. [Inspect the Axle Assy](#) (1)



2. [Apply WD-40](#) to clean the bolts (2) from rust and corrosion



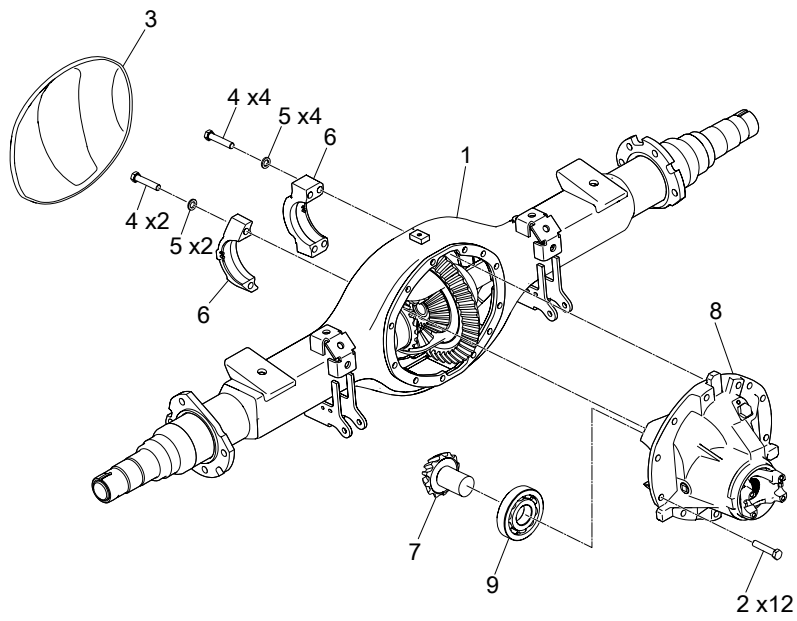
3. Unscrew the Rod bolts (2)



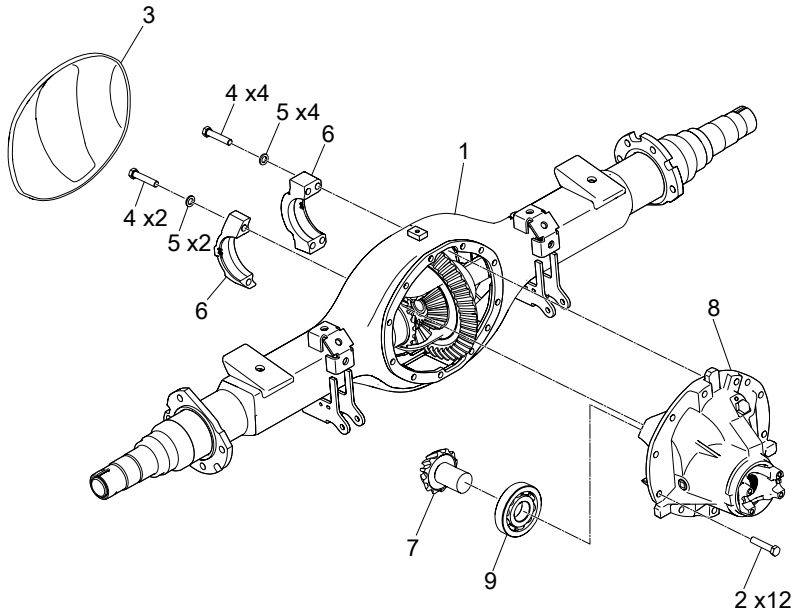
a) Show how to unscrew bolt (2) with the wrench

b) Unscrew other bolts (2)

4. Remove the Axle Back Cover (3) with the screwdriver

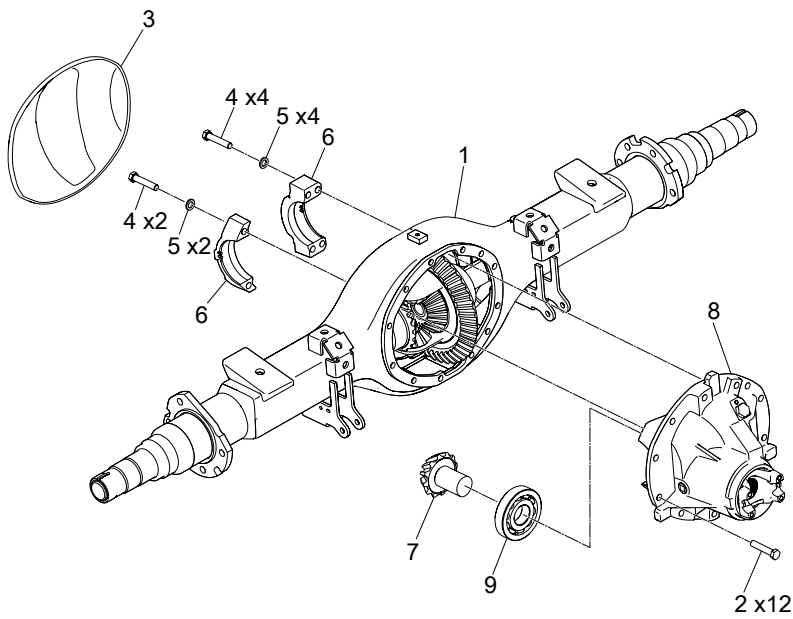


5. Unscrew the Axle Shells' bolts (4)



- a) Remove one Bolt (4) and Washer (5) with Torque Wrench
- b) Remove other Bolts (4) and Washers (5)

6. Remove Shells (6)



7. Take out the Axle (7) to Rod Cover (8) and inspect the Bearing (9), replace if needed

