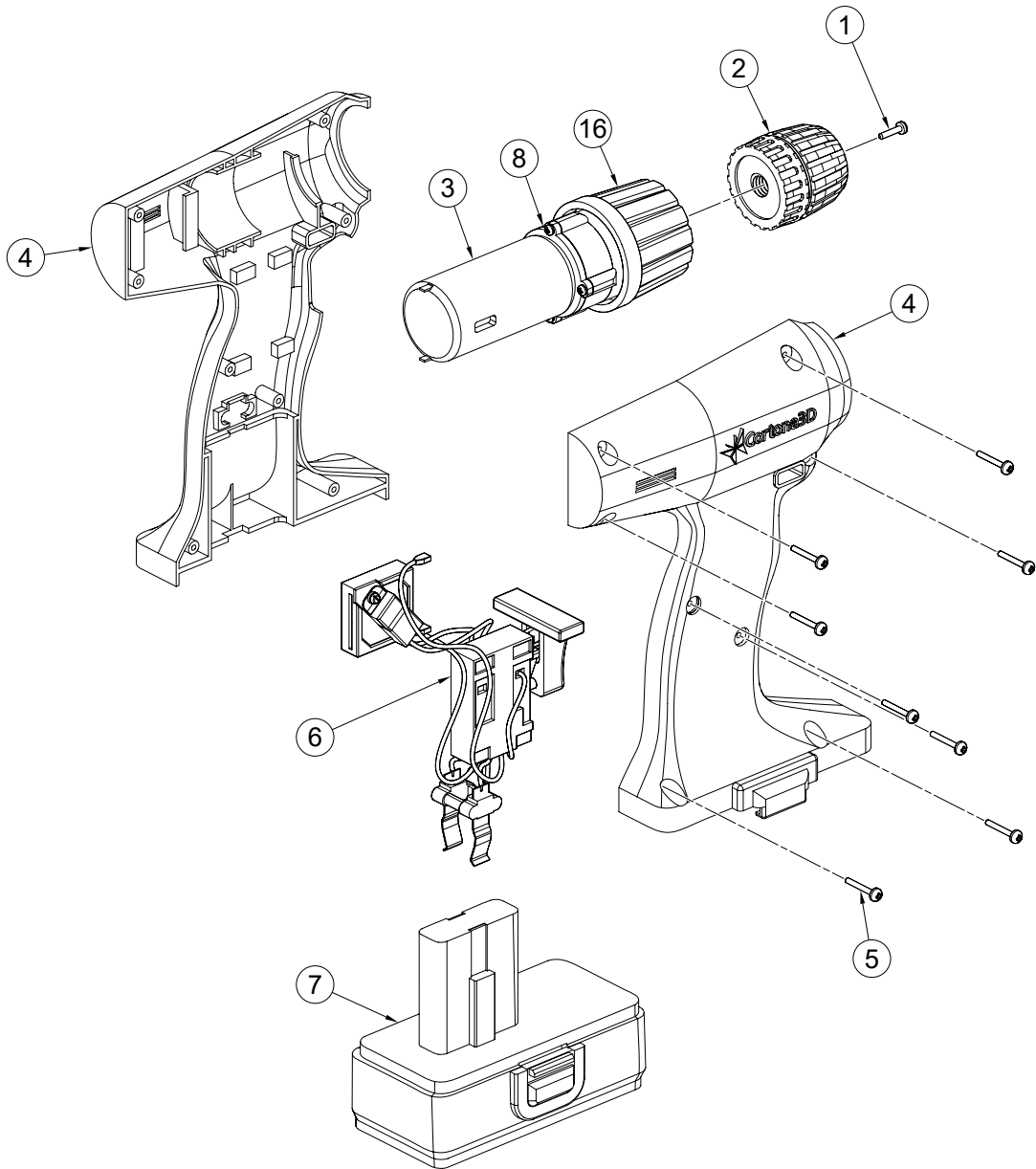
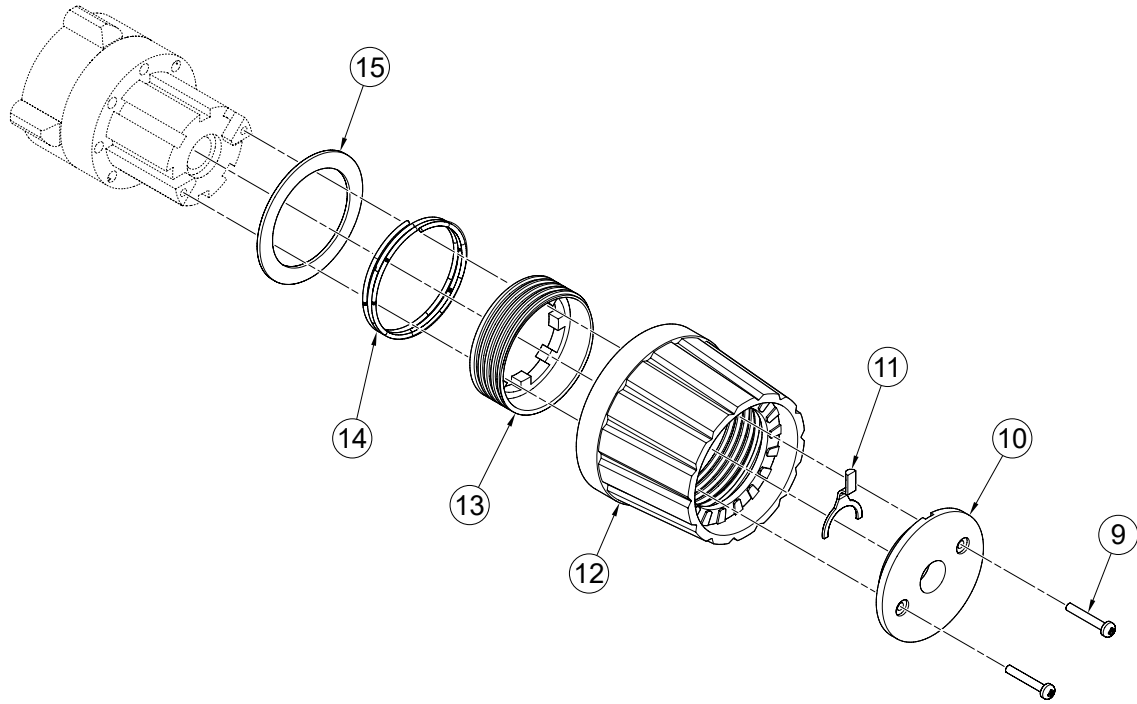


# Drill Driver Parts Catalog



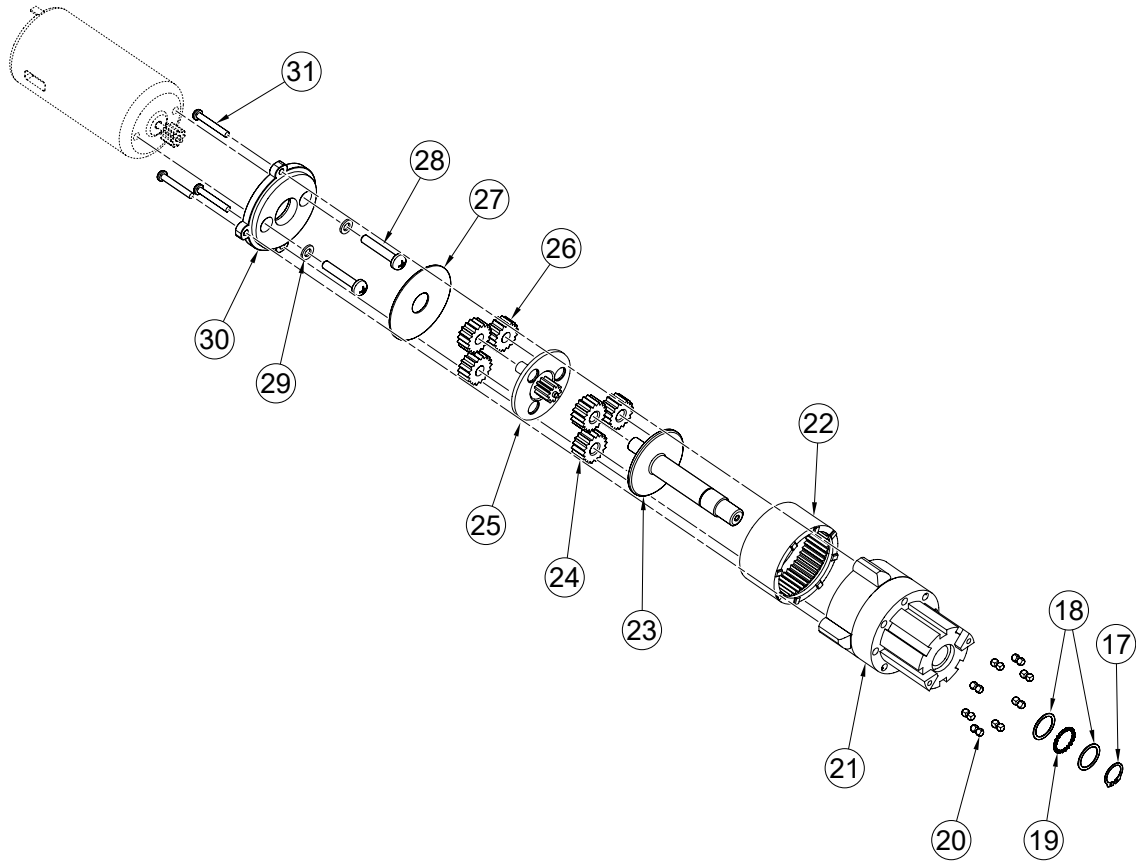
C3D-DRL-IMG-001

# Drill Driver Parts Catalog



C3D-DRL-IMG-002

# Drill Driver Parts Catalog



C3D-DRL-IMG-003

## Drill Driver Parts Catalog

ITEM	DESCRIPTION	PART NO.	QTY	INFO
1	Left-Hand Screw	C3D-DRL-F-LHS	1	
2	Chuck	C3D-DRL-P-CHK	1	
3	Motor	C3D-DRL-P-MTR	1	
4	Housing Set	C3D-DRL-A-HSST	1	
5	Screw 1.9x15mm	C3D-DRL-F-S19X15	8	
6	Switch Assembly	C3D-DRL-A-SWTCH	1	
7	Battery	C3D-DRL-P-BTR	1	
8	Clutch Assembly	C3D-DRL-A-CLTCH	1	
9	•Clutch Screw 1.8x14mm	C3D-DRL-F-S18X14	2	
10	•Spring Plate	C3D-DRL-P-SPPL	1	
11	•Click Spring	C3D-DRL-P-CSPRNG	1	
12	•Clutch Cap	C3D-DRL-P-CLCP	1	
13	•Sleeve	C3D-DRL-P-SLV	1	
14	•Spring	C3D-DRL-P-SPRNG	1	
15	•Clutch Washer 24.5mm	C3D-DRL-F-W245	1	
16	Gear Train Assembly	C3D-DRL-A-GT	1	
17	•Retaining Ring	C3D-DRL-P-RTNRNG	1	
18	•Washer 8.2mm	C3D-DRL-F-W82	2	
19	•Steel Ball D1mm	C3D-DRL-P-SBLL1	20	
20	•Steel Ball D3.5mm	C3D-DRL-P-SBLL35	16	
21	•Gear Train Housing	C3D-DRL-P-GRTRH	1	
22	•Gear Sleeve	C3D-DRL-P-GRSLV	1	
23	•Gearbox Shaft	C3D-DRL-P-GRBXSH	1	
24	•Metal Gear	C3D-DRL-P-MGR	3	
25	•Pinion	C3D-DRL-P-PNN	1	
26	•Plastic Gear	C3D-DRL-P-PGR	3	
27	•Flat Washer 8mm	C3D-DRL-F-W8	1	
28	•Flange Screw 1.9x16mm	C3D-DRL-F-S19X16	2	
29	•Flange Washer 3mm	C3D-DRL-F-W3	2	
30	•Flange	C3D-DRL-P-FLNG	1	
31	•Gear Train Screw 1.9x14mm	C3D-DRL-F-S19X14	3	