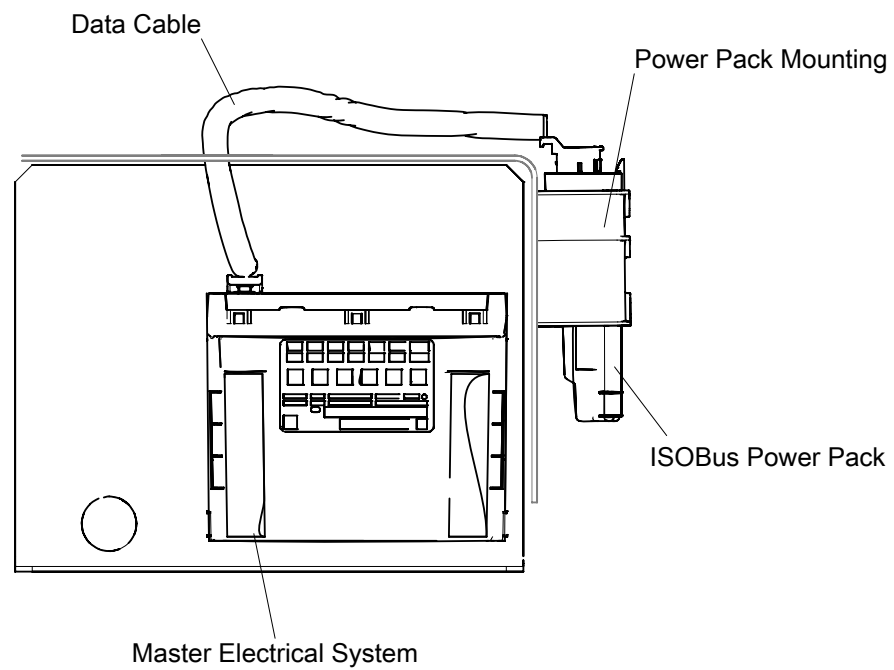


# ISOBus Installation Procedure

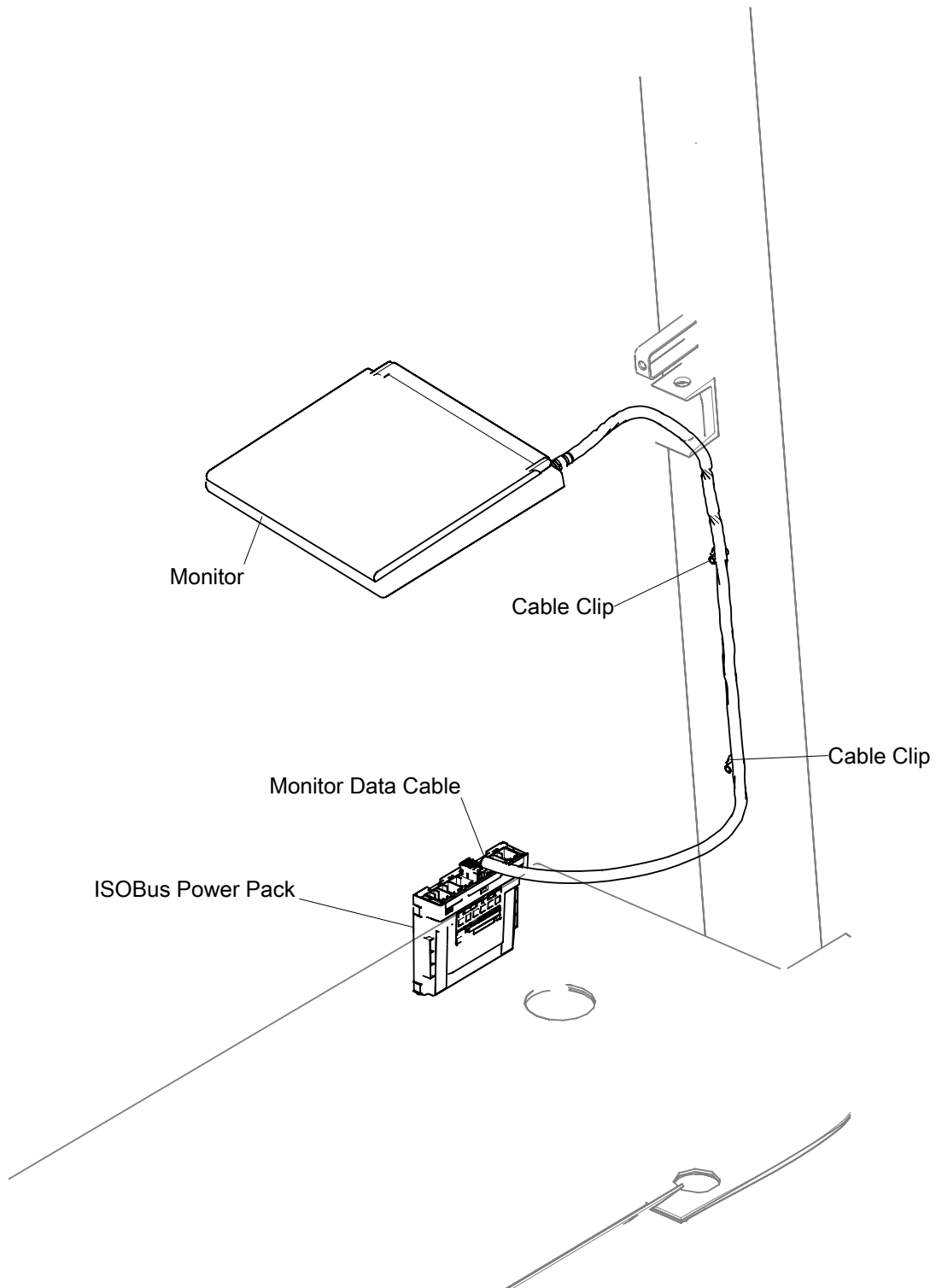
---

1. Install the ISOBus Power Pack.

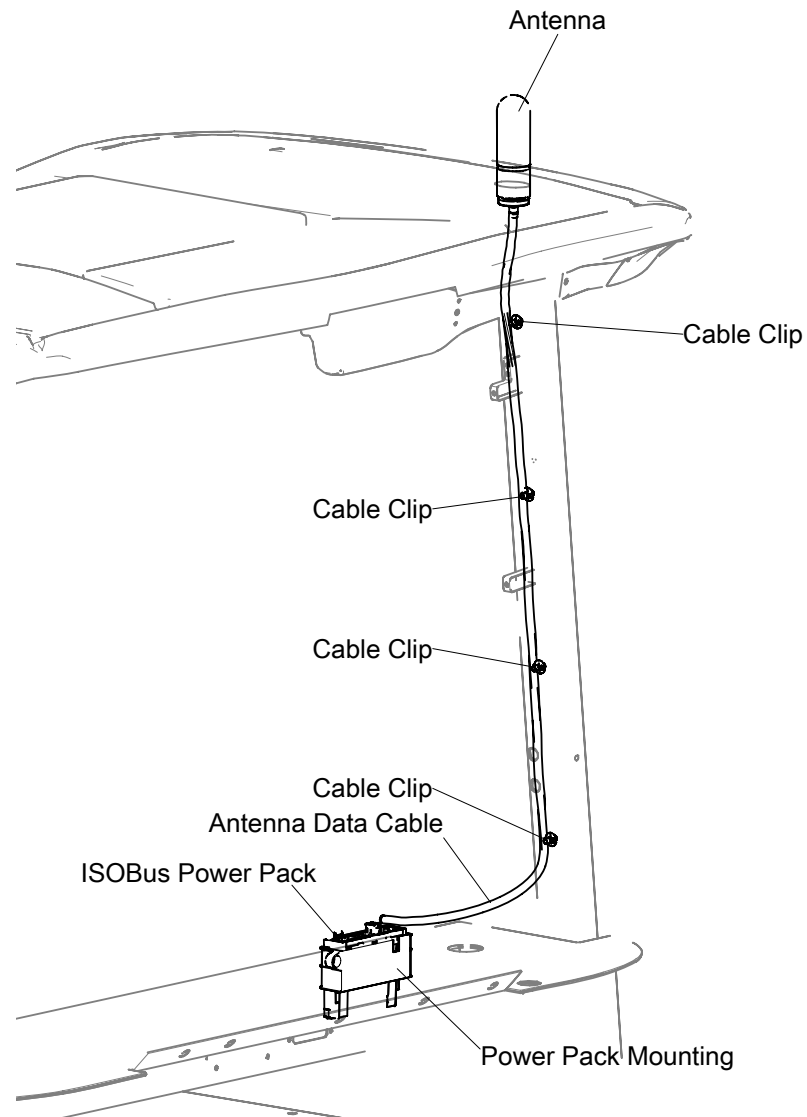


- a) Install the Power Pack Mounting and the ISOBus Pack.
- b) Connect the Master Electrical System to Position 5 of the ISOBus Pack with a Data Cable.

2. Install the Monitor.

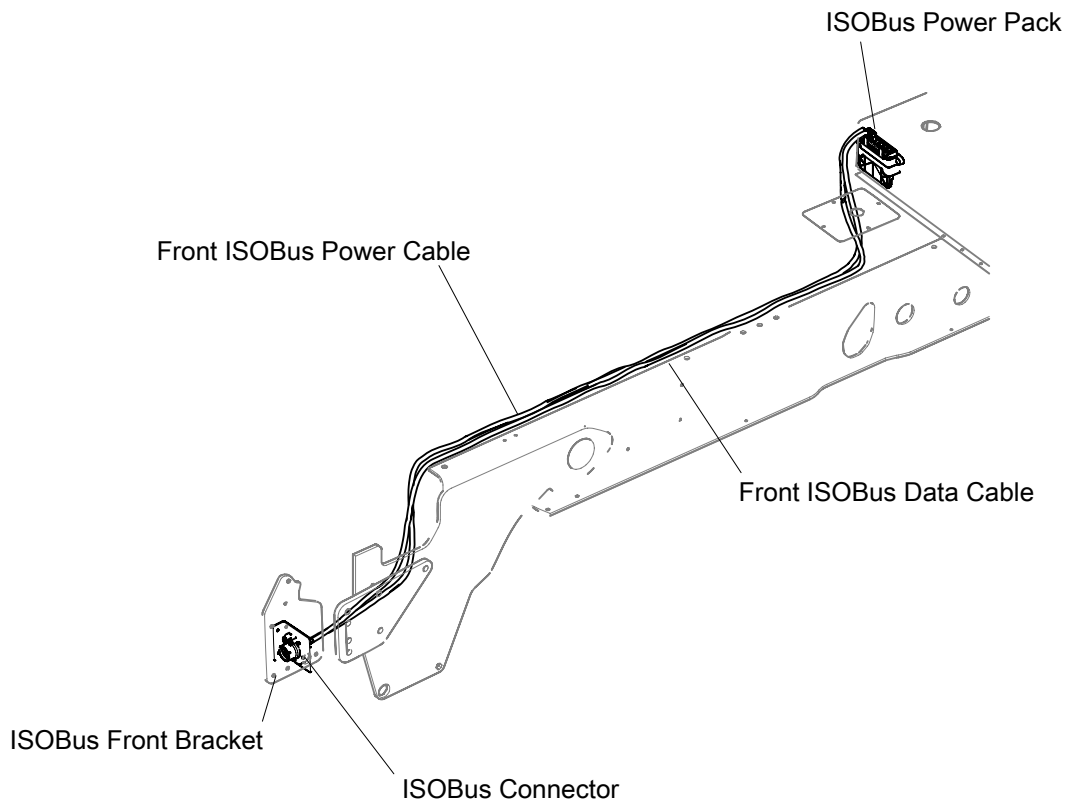


- a) Install the Monitor on the Cabin Mount.
- b) Install the Cable Clips on the Frame.
- c) Connect the Monitor to Position 4 of the ISOBus Pack using a Data Cable. The cable should be secured to the frame using the Cable Clips.

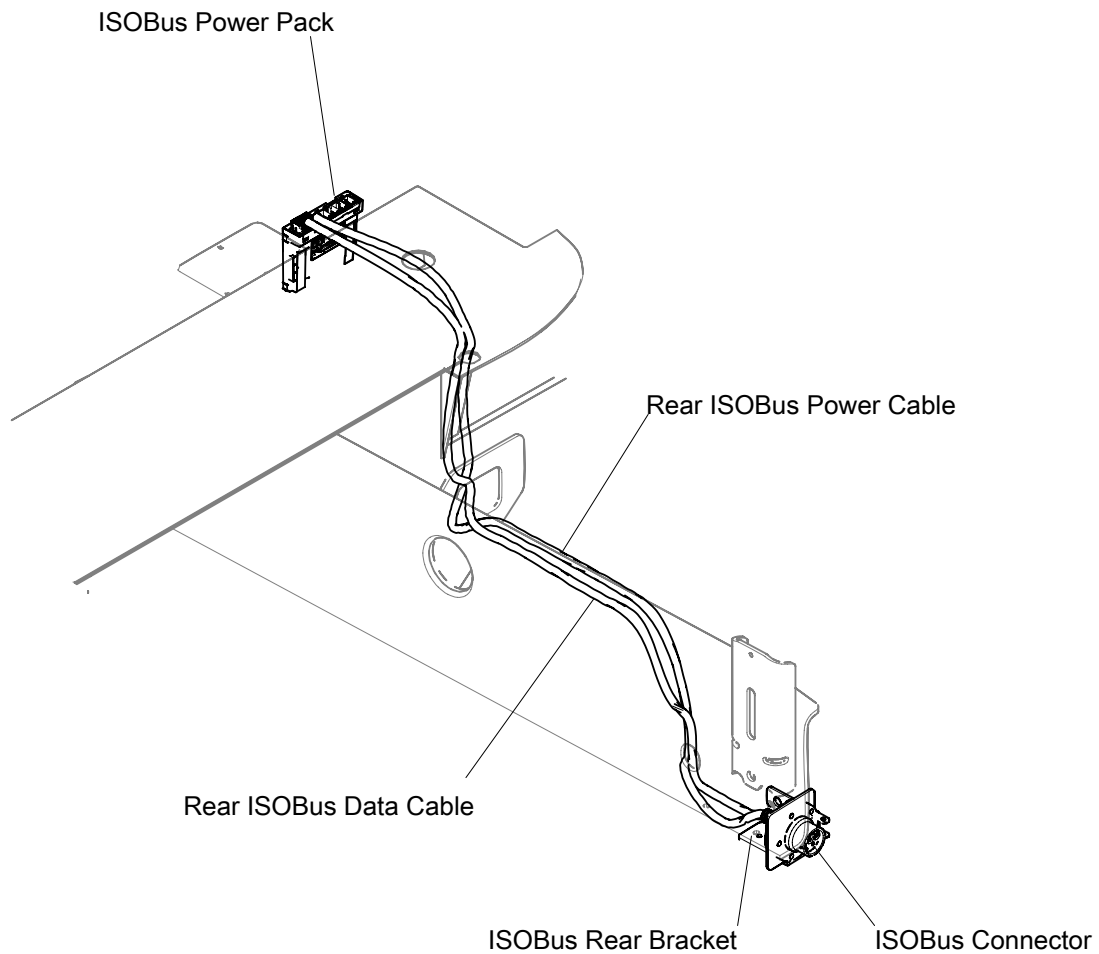
**3. Install the Antenna.**

- a) Install the Antenna on the cabin roof.
- b) Install the Cable Clips on the Frame.
- c) Connect the Antenna to Position 3 of the ISOBus Pack using a Data Cable. The cable should be secured to the frame using the Cable Clips.

4. Install the Front ISOBus Connector.



- a) Install the ISOBus Front Bracket and ISOBus Connector on the front of the vehicle.
- b) Connect the Front ISOBus Connector Power Socket to Position 2 of the ISOBus Pack using a Power Cable.
- c) Connect the Front ISOBus Connector Data Socket to Position 1 of the ISOBus Pack using a Data Cable.

**5. Install the Rear ISOBus Connector.**

- a) Install the ISOBus Rear Bracket and ISOBus Connector on the rear of the vehicle.
- b) Connect the Rear ISOBus Connector Data Socket to Position 7 of the ISOBus Pack using a Data Cable.
- c) Connect the Rear ISOBus Connector Power Socket to Position 6 of the ISOBus Pack using a Power Cable.

**6. Turn on the Monitor to test ISOBus installation.**

**Note:** If no error messages are displayed on the Monitor, the ISOBus has been correctly installed.