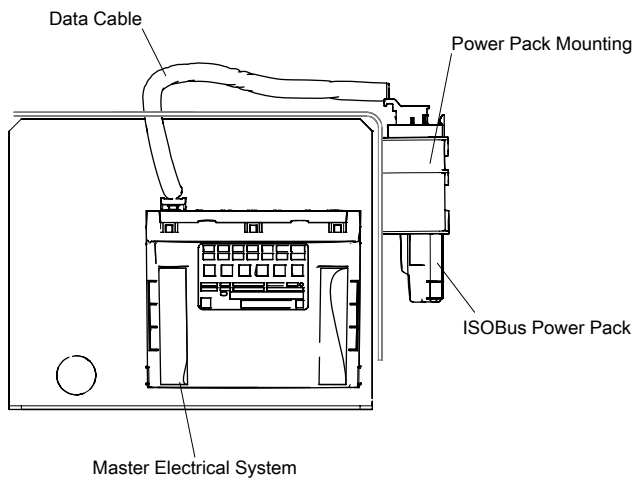


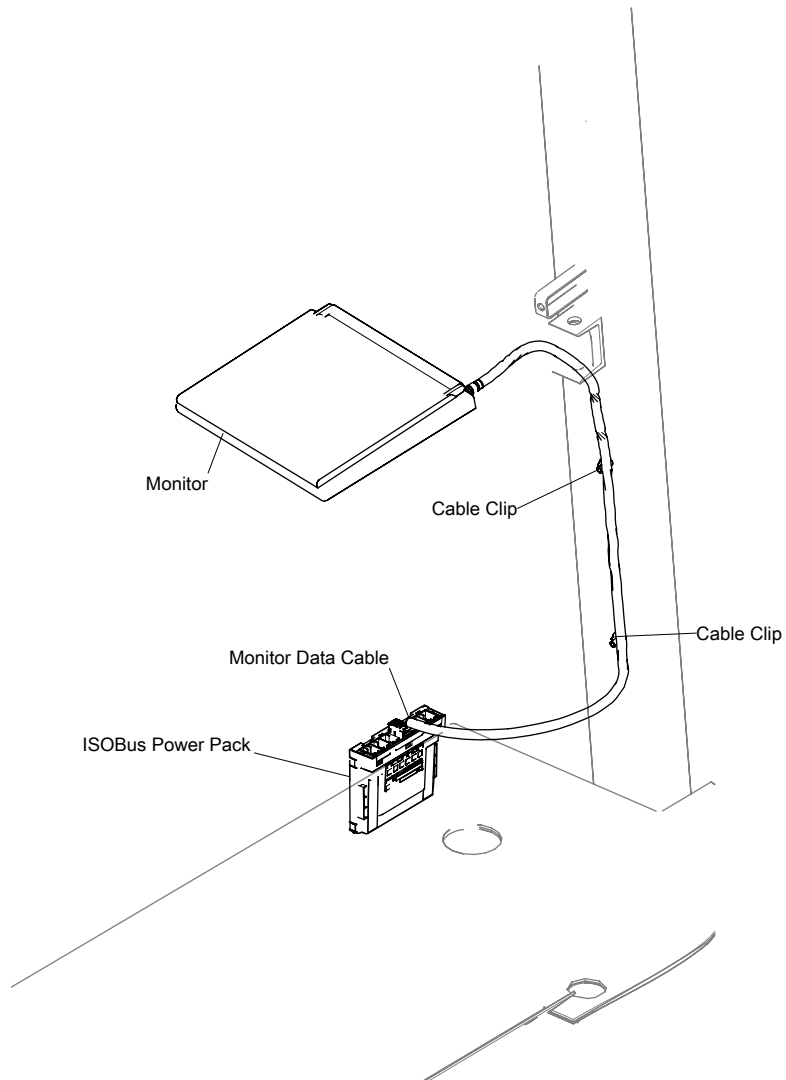
ISOBus Installation Procedure

1. Install the ISOBus Power Pack.



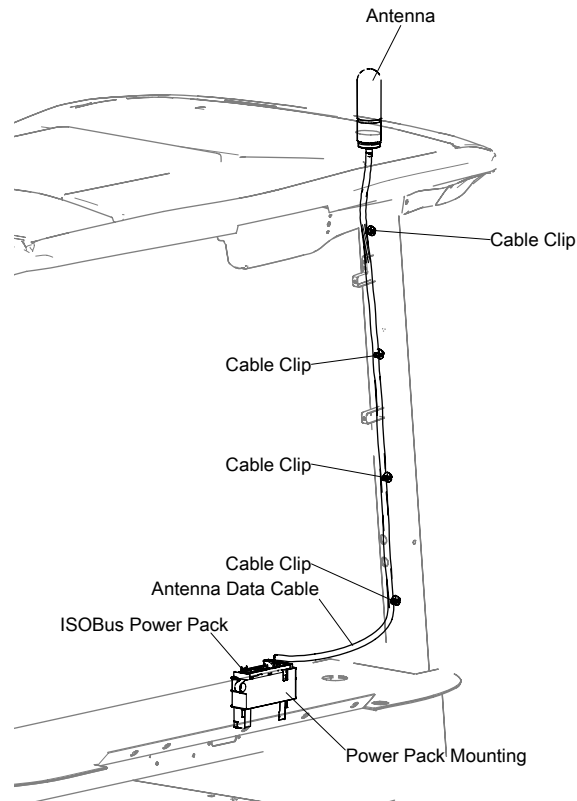
- a) Install the Power Pack Mounting and the ISOBus Pack.
- b) Connect the Master Electrical System to Position 5 of the ISOBus Pack with a Data Cable.

2. Install the Monitor.



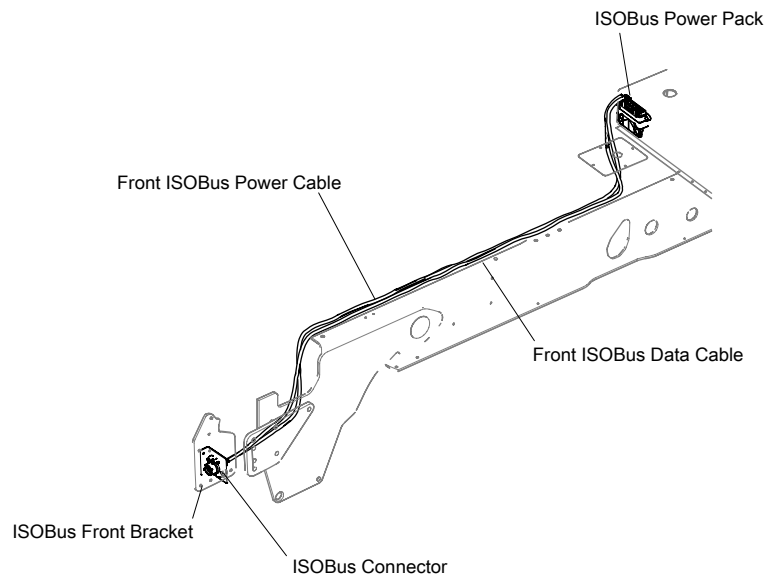
- a) Install the Monitor on the Cabin Mount.
- b) Install the Cable Clips on the Frame.
- c) Connect the Monitor to Position 4 of the ISOBUS Pack using a Data Cable. The cable should be secured to the frame using the Cable Clips.

3. Install the Antenna.



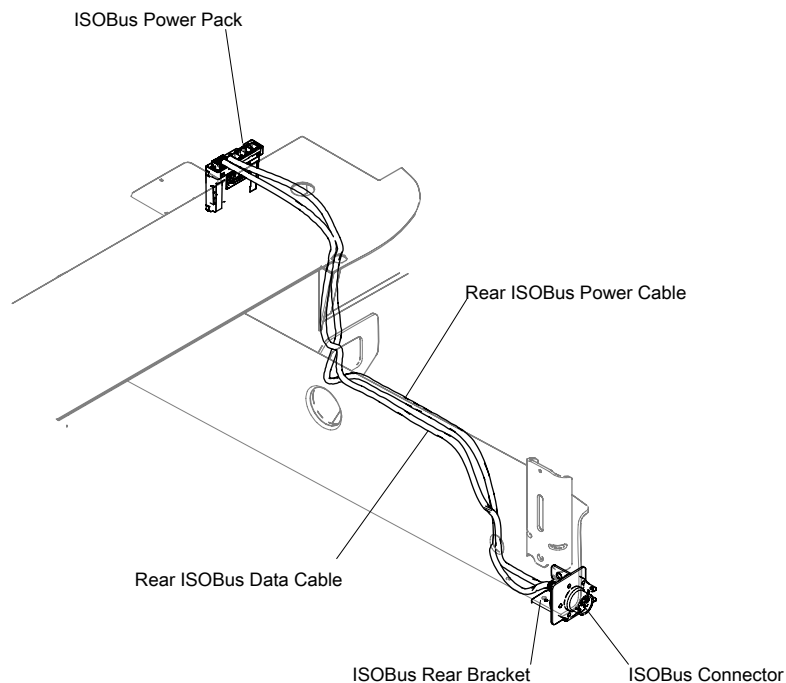
- a) Install the Antenna on the cabin roof.
- b) Install the Cable Clips on the Frame.
- c) Connect the Antenna to Position 3 of the ISOBUS Pack using a Data Cable. The cable should be secured to the frame using the Cable Clips.

4. Install the Front ISOBUS Connector.



- a) Install the ISOBus Front Bracket and ISOBus Connector on the front of the vehicle.
- b) Connect the Front ISOBUS Connector Power Socket to Position 2 of the ISOBus Pack using a Power Cable.
- c) Connect the Front ISOBUS Connector Data Socket to Position 1 of the ISOBus Pack using a Data Cable.

5. Install the Rear ISOBus Connector.



- a) Install the ISOBus Rear Bracket and ISOBus Connector on the rear of the vehicle.
 - b) Connect the Rear ISOBus Connector Data Socket to Position 7 of the ISOBus Pack using a Data Cable.
 - c) Connect the Rear ISOBus Connector Power Socket to Position 6 of the ISOBus Pack using a Power Cable.
6. Turn on the Monitor to test ISOBus installation.

Note: If no error messages are displayed on the Monitor, the ISOBus has been correctly installed.