

# Industrial Machine DITA Demo - Motor Assembly Installation

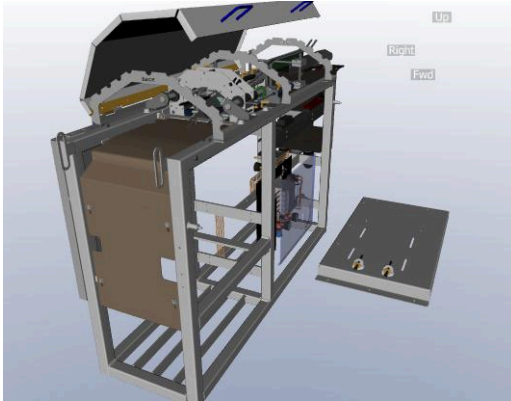
---

## 1. Install Motor Mounting Plate.



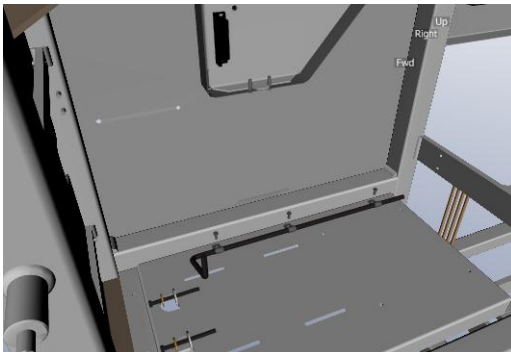
**WARNING:** Ensure that power is disconnected before proceeding.

- a) Install Bolts and Washers on Motor Mounting Plate.
- b) [Attach Motor Mounting Plate](#) on Workbench.

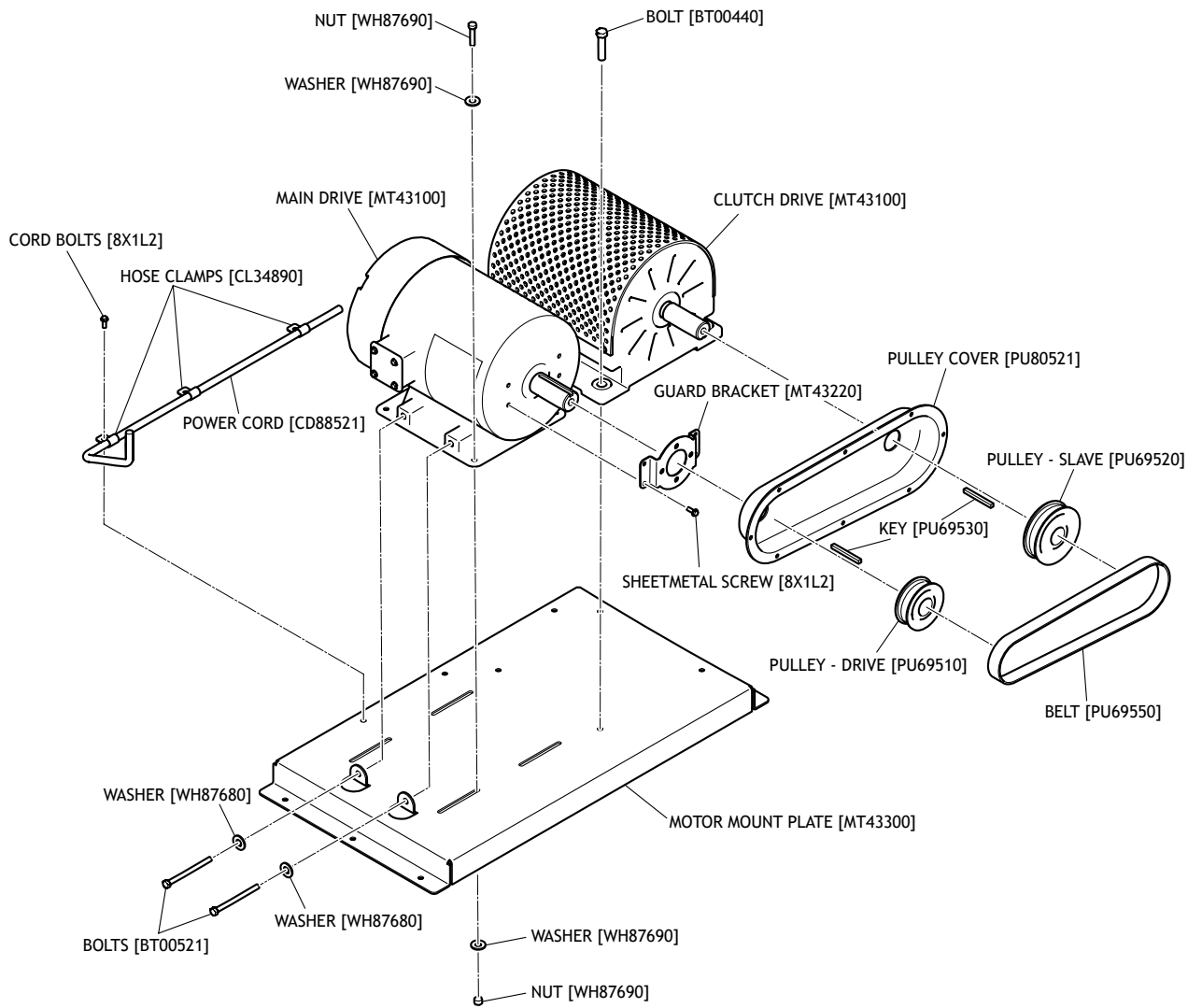


## 2. Install Power Cord

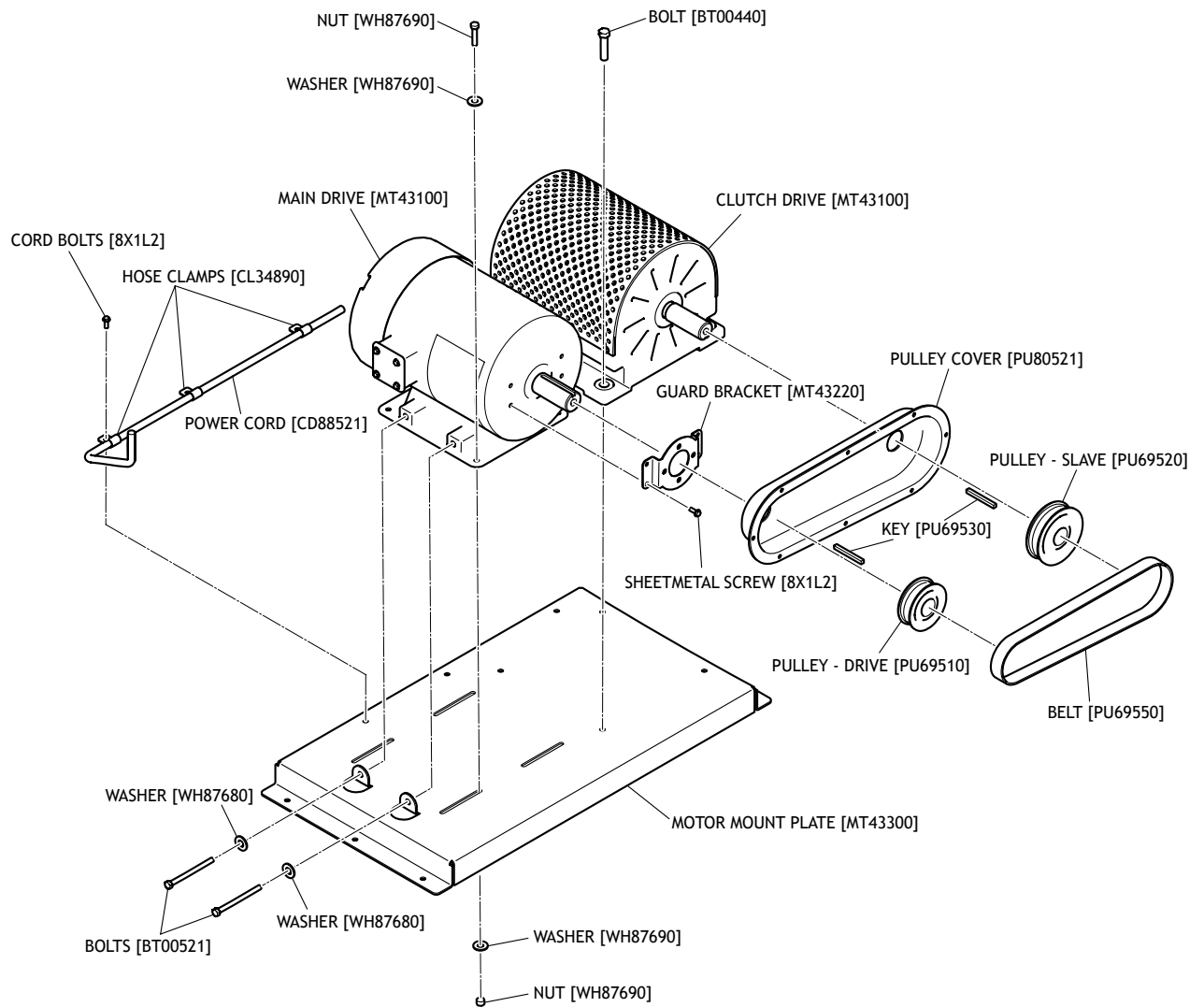
- a) Install Power Cord and Cable Clamps on Motor Mounting Plate.
- b) [Secure with Sheetmetal Screws](#).



3. Install Clutch Drive Assy and Bolts.

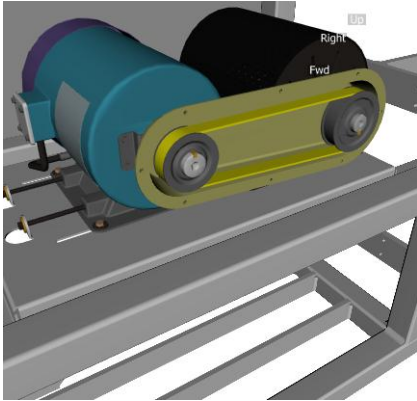


#### 4. Install Main Drive Motor.

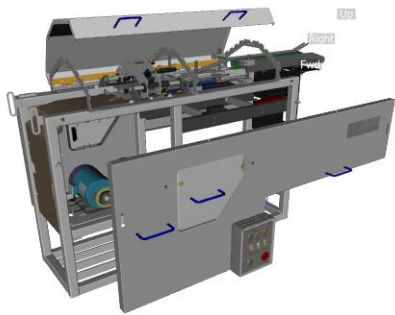


- a) Attach Main Drive Motor.
- b) Install Bolts, Washers and Nuts.
- c) Tighten the bolts, using a Wrench to secure the Nuts.
- d) Tighten the Bolts to prevent movement during operation.
- e) Connect Power Cord to Main Drive Motor.

5. Install Drive Pulley.
  - a) Install Guard Bracket and Sheetmetal Screws.
  - b) Install Pully Cover.
  - c) Install Key and Drive Pulley on Drive Motor Shaft.
  - d) Install Key and Slave Pulley on Clutch Shaft.
  - e) **Install Belt** on Pulleys.



6. **Install Left Guard.**
  - a) Attach Left Guard.
  - b) Install Bolts.



### 7. Test Operation

**Note:** Ensure that power is connected before proceeding.

- a) Turn on Workbench using the Control Panel.
- b) Ensure that movement is smooth in all both directions.
- c) Turn off Workbench using the Control Panel.

