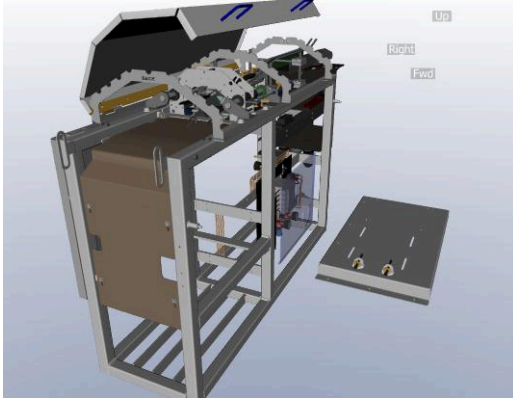


Industrial Machine DITA Demo - Motor Assembly Installation

1. Install Motor Mounting Plate.

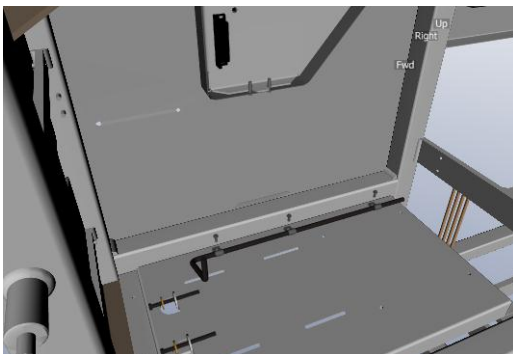
Warning: Ensure that power is disconnected before proceeding.

- a) Install Bolts and Washers on Motor Mounting Plate.
- b) *Attach Motor Mounting Plate* on Workbench.

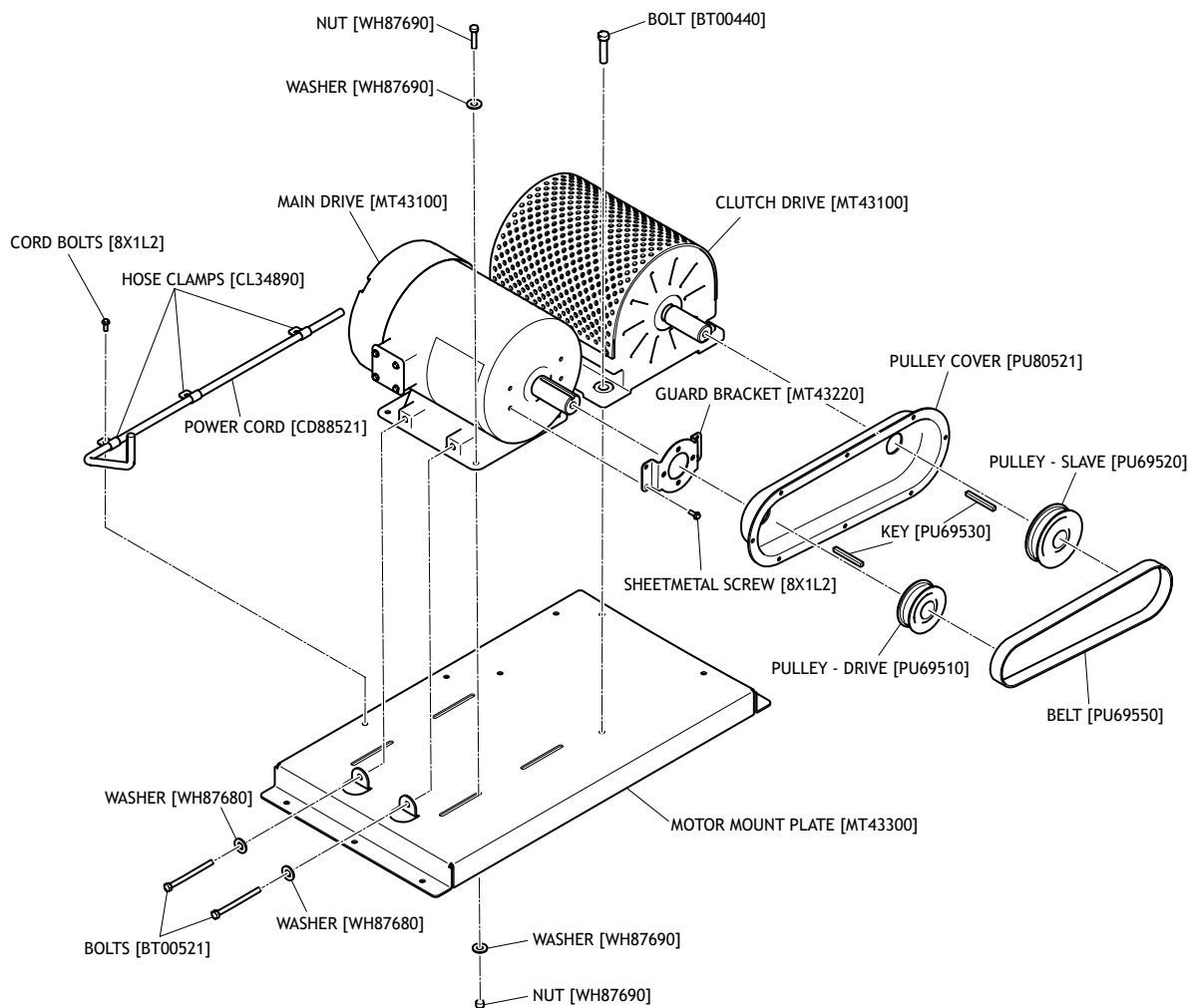


2. Install Power Cord

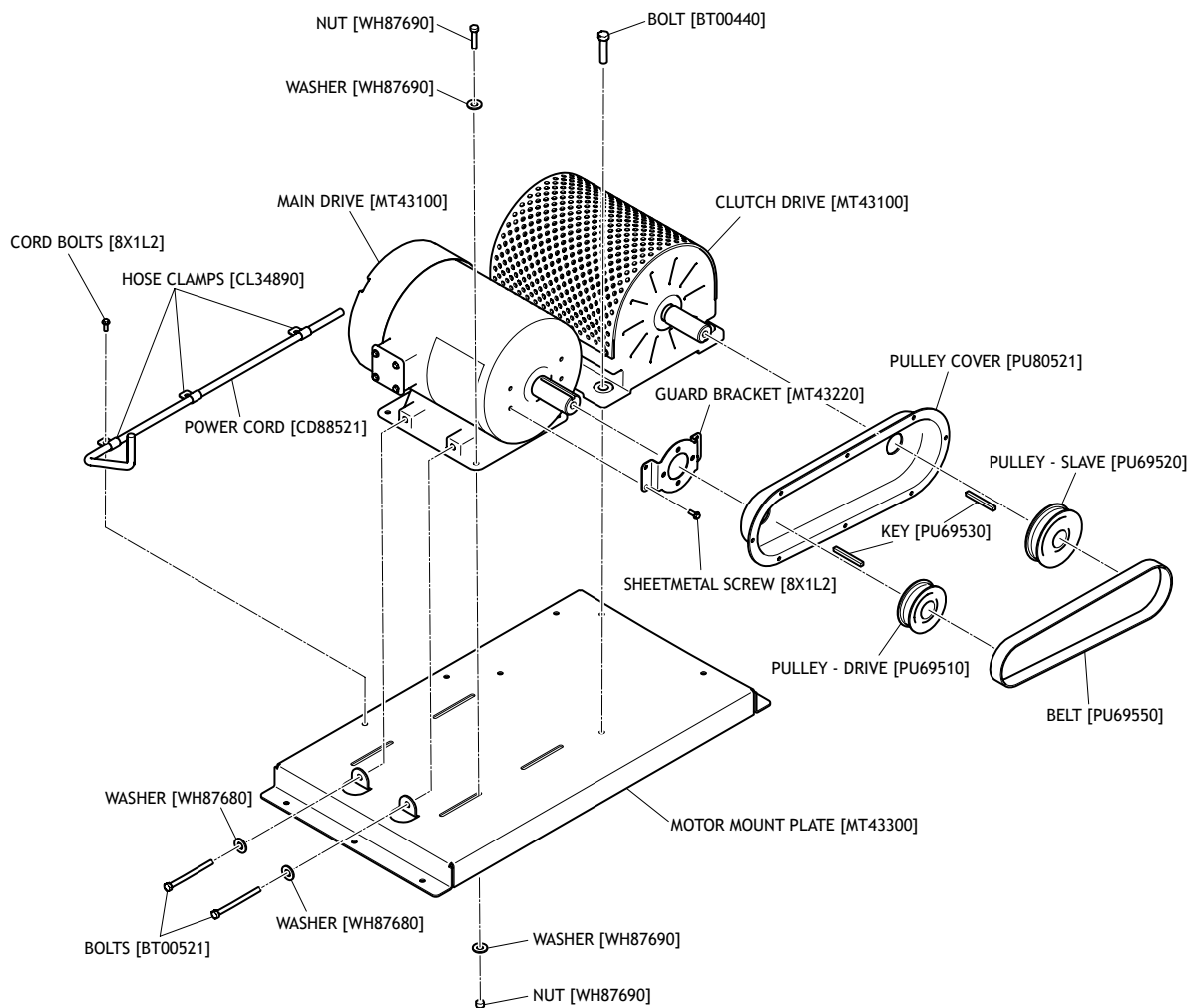
- a) Install Power Cord and Cable Clamps on Motor Mounting Plate.
- b) *Secure with Sheetmetal Screws.*



3. *Install Clutch Drive Assy and Bolts.*



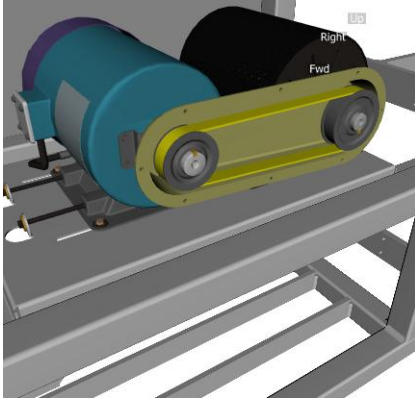
4. *Install Main Drive Motor.*



- a) Attach Main Drive Motor.
- b) Install Bolts, Washers and Nuts.
- c) Tighten the bolts, using a Wrench to secure the Nuts.
- d) Tighten the Bolts to prevent movement during operation.
- e) Connect Power Cord to Main Drive Motor.

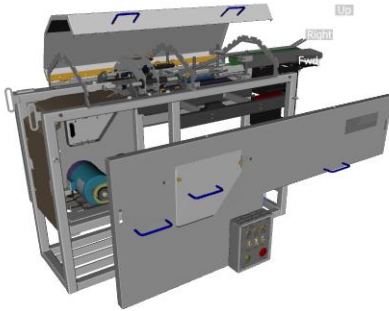
5. Install Drive Pulley.

- a) Install Guard Bracket and Sheetmetal Screws.
- b) Install Pulley Cover.
- c) Install Key and Drive Pulley on Drive Motor Shaft.
- d) Install Key and Slave Pulley on Clutch Shaft.
- e) *Install Belt* on Pulleys.



6. *Install Left Guard.*

- a) Attach Left Guard.
- b) Install Bolts.



7. Test Operation

Note: Ensure that power is connected before proceeding.

- Turn on Workbench using the Control Panel.
- Ensure that movement is smooth in all both directions.
- Turn off Workbench using the Control Panel.

