
Machine Work Instruction

Job code	WB22568
Summary	Installation of Motor Assy on Workbench
Work type	Assembly
Role	Line
Expected time	1.5 hrs
Work cell	17
Previous job	WB22550
Next job	WB22600
Work order	JB23C3
Revision	1

PREREQUISITES

High voltage safety procedures must be observed.

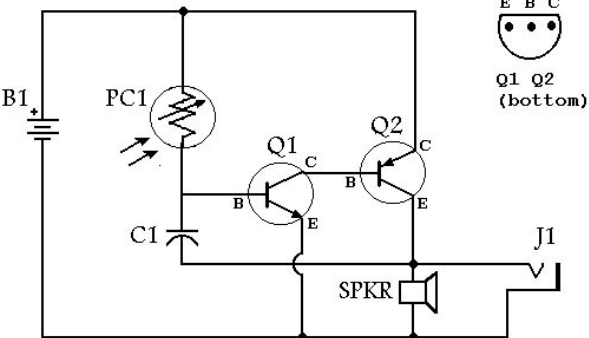
Safety gear must be work at all times.

Power must be disconnected from Workbench before proceeding with the task.

PARTS LIST

Part number/ Alternative part number	Description	Quantity
BT00440	BOLT	4
BT00521	BOLT	2
8X1L2	SHEETMETAL SCREW	4
8X1L2	SHEETMETAL SCREW	3
PU69520	PULLEY - SLAVE	1
WH87680	WASHER	2
CL34890	CABLE CLAMP	3
MT43200	MOTOR - MAIN DRIVE	1
MT43300	MOTOR MOUNT PLATE	1
PU69521	PULLEY COVER	1
MT43100	CLUTCH DRIVE ASSY	1
PU69530	KEY	2
CD88521	POWER CORD	1
MT43220	GUARD BRACKET	1
WH87690	WASHER	8
NT56155	NUT	4
BT00535	BOLT	4
PU69510	PULLEY - DRIVE	1
PU69550	BELT	1
CT54000	CONTROL PANEL	1
BT00420	BOLT	2
SH66270	GUARD - LEFT	1
	WRENCH	

JOB

№	Task	Illustration
1	Install Motor Mounting Plate. <div style="border: 2px solid red; padding: 5px; margin: 10px 0;"> <p>WARNING</p> <p>Ensure that power is disconnected before proceeding.</p> </div> Install Bolts and Washers on Motor Mounting Plate . Attach Motor Mounting Plate on Workbench.	
2	Install Power Cord and Cable Clamps on Motor Mounting Plate. Secure with Sheetmetal Screws .	
3	Install Clutch Drive Assy and Bolts .	
4	Install Main Drive Motor . Install Bolts , Washers and Nuts . Tighten the bolts , using a Wrench to secure the Nuts. Tighten the Bolts to prevent movement during operation. Connect Power Cord to Main Drive Motor.	 <p style="text-align: right;">E B C Q1 Q2 (bottom)</p>
5	Install Guard Bracket and Sheetmetal Screws . Install Pully Cover . Install Key and Drive Pulley on Drive Motor Shaft. Install Key and Slave Pulley on Clutch Shaft. Install Belt on Pulleys.	
6	Install Left Guard . Install Bolts .	
7	Test Operation <div style="border: 2px solid blue; padding: 5px; margin: 10px 0;"> <p>NOTE</p> <p>Ensure that power is connected before proceeding.</p> </div> Turn on Workbench using the Control Panel . Ensure that movement is smooth in all both directions.	

№	Task	Illustration
	Turn off Workbench using the Control Panel.	