

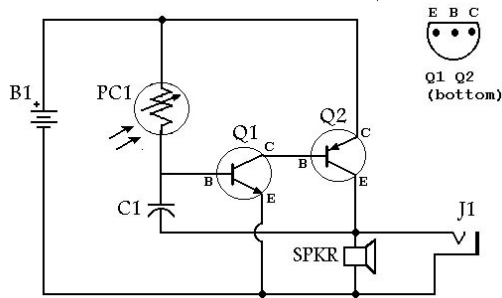
Industrial Machine DITA Demo - Motor Disassembly

1. Test Operation



CAUTION: Check if machine is connected to the power source by switching it on.

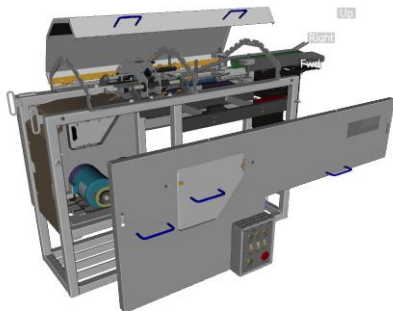
- a) Turn on Workbench using the Control Panel.
- b) Ensure that movement is smooth in all both directions.
- c) Turn off Workbench using the Control Panel.



WARNING: Ensure that power is disconnected before proceeding.

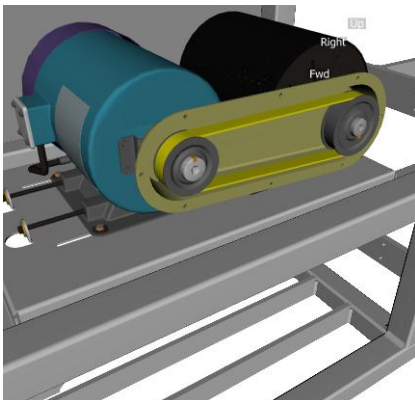
2. Remove Left Guard.

- a) Remove Bolts.
- b) Detach Left Guard.



3. Remove Drive Pulley.

- a) Remove Belt from Pulleys.

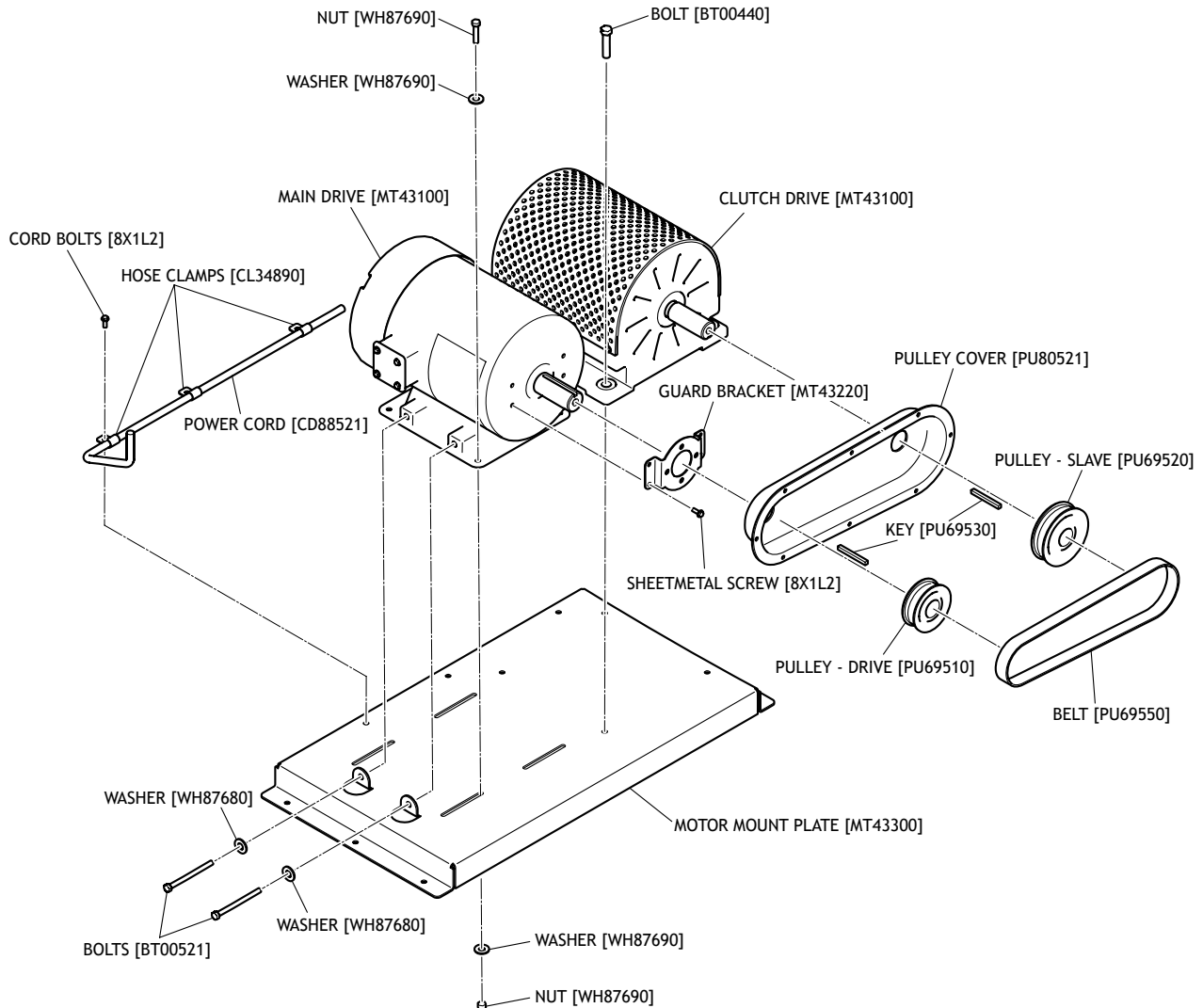


- b) Remove Key and Slave Pulley from Clutch Shaft.
- c) Remove Key and Drive Pulley from Drive Motor Shaft.

- d) Remove Pulley Cover.
- e) Remove Guard Bracket and Sheetmetal Screws.

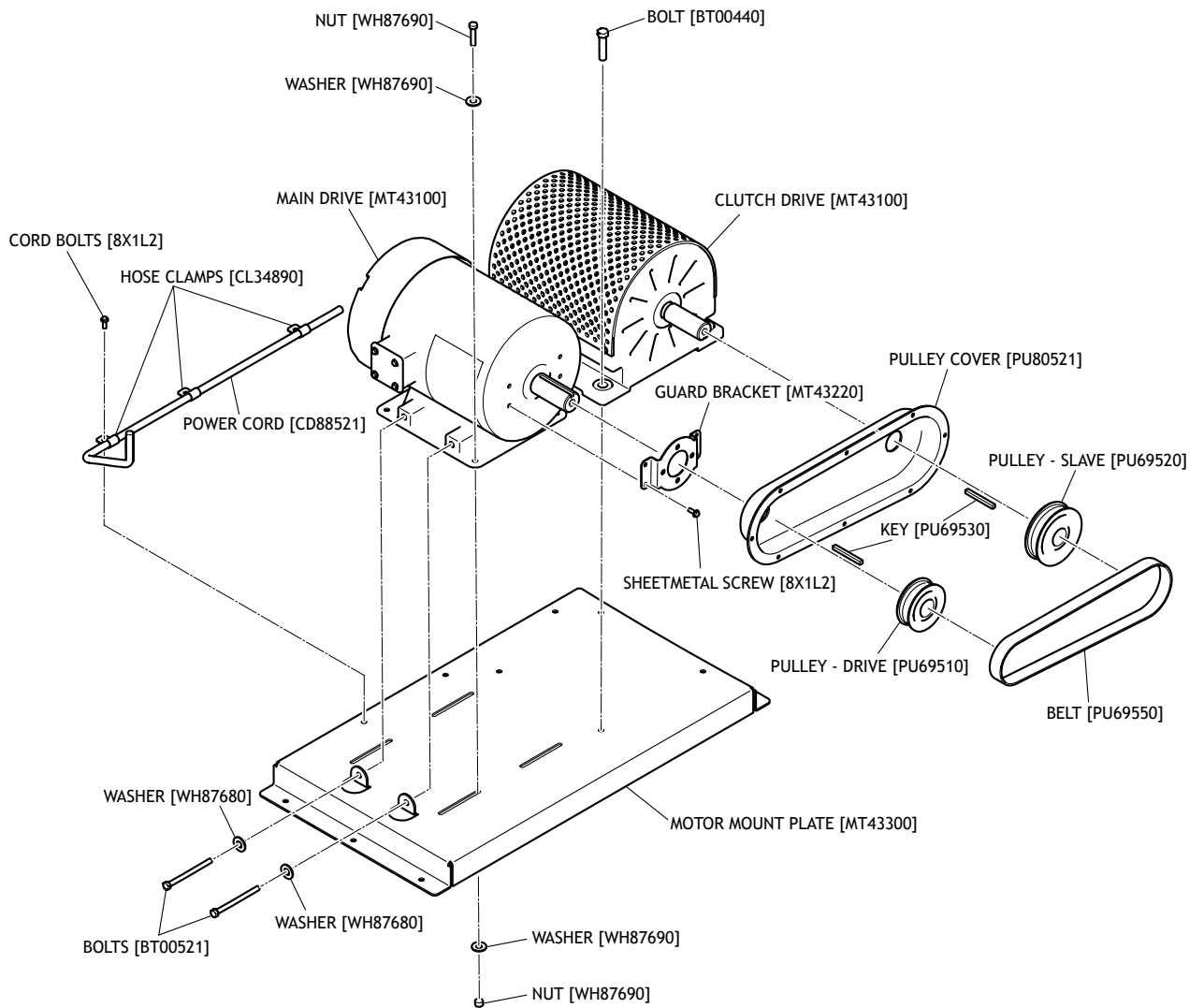
4. Remove Main Drive Motor.

- a) Disconnect Power Cord from Main Drive Motor.



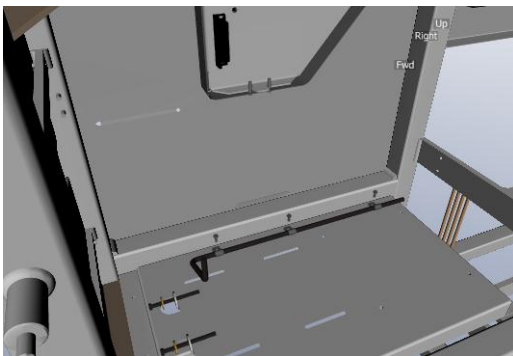
- b) Loosen the Bolts, preventing movement during operation.
- c) Loosen the Bolts, using a Wrench.
- d) Remove Bolts, Washers and Nuts.
- e) Remove Main Drive Motor.

5. Remove Clutch Drive Assy and Bolts.



6. Remove Power Cord.

- a) Remove the Clamp Screws.
- b) Remove Power Cord and Cable Clamps from Motor Mounting Plate.



7. Remove Motor Mounting Plate.

- a) Detach Motor Mounting Plate from Workbench.
- b) Remove Bolts and Washers from Motor Mounting Plate.

