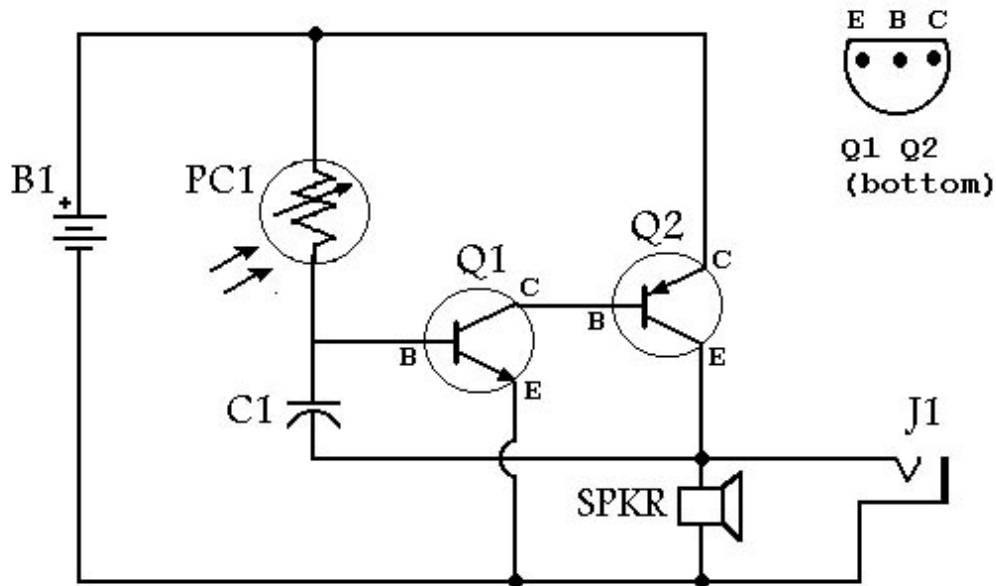


1. *Test Operation*

CAUTION: Check if machine is connected to the power source by switching it on.

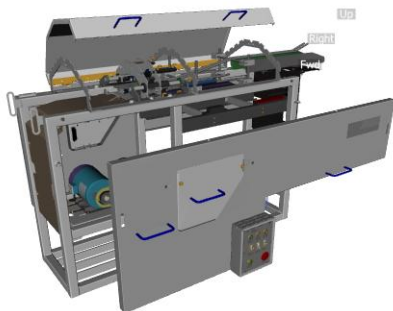
- a) Turn on Workbench using the Control Panel.
- b) Ensure that movement is smooth in all both directions.
- c) Turn off Workbench using the Control Panel.



Warning: Ensure that power is disconnected before proceeding.

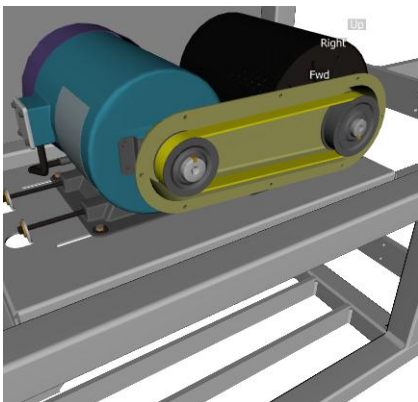
2. *Remove Left Guard.*

- a) Remove Bolts.
- b) Detach Left Guard.



3. Remove Drive Pulley.

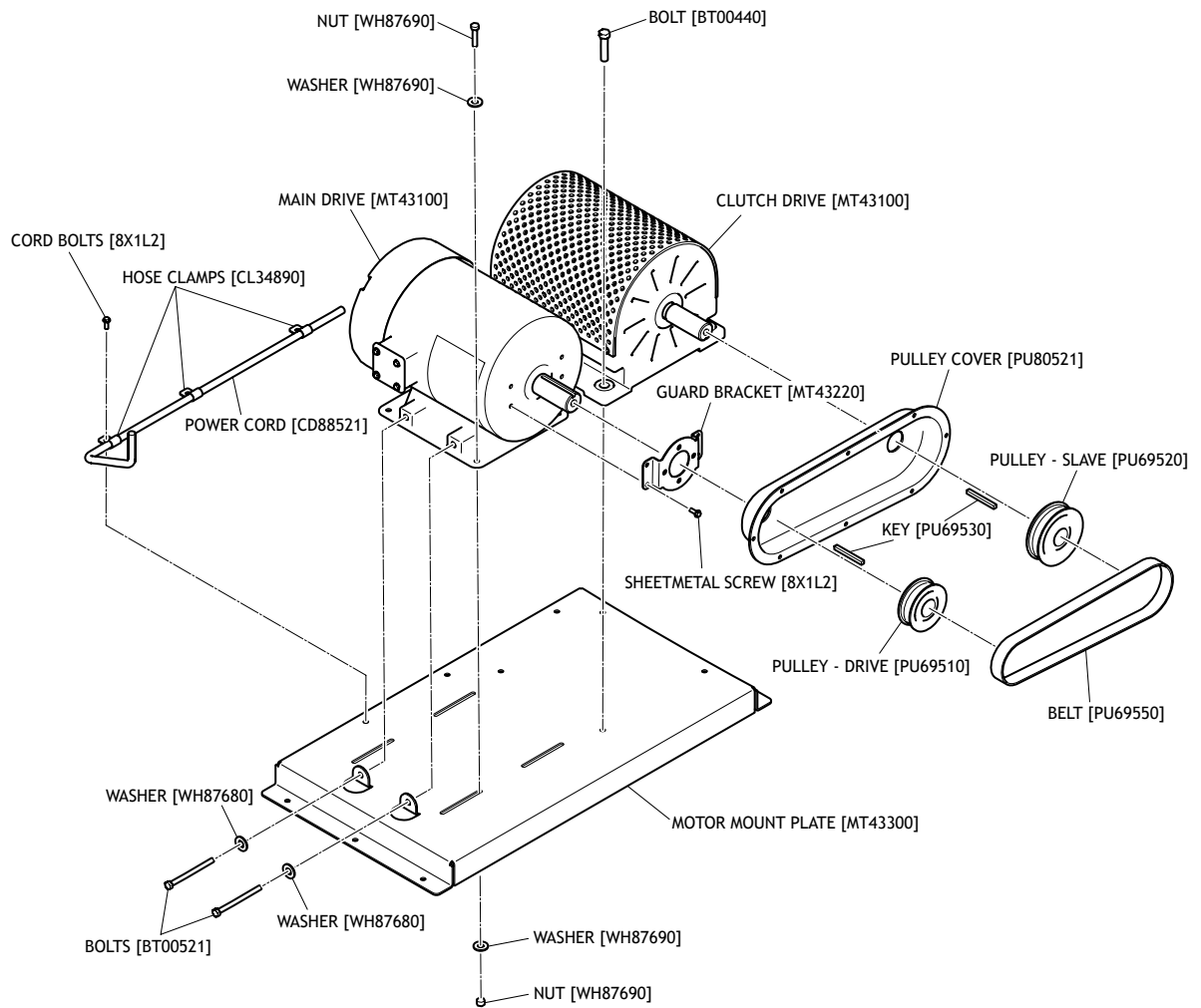
- a) *Remove Belt* from Pulleys.



- b) Remove Key and Slave Pulley from Clutch Shaft.
c) Remove Key and Drive Pulley from Drive Motor Shaft.
d) Remove Pully Cover.
e) Remove Guard Bracket and Sheetmetal Screws.

4. *Remove Main Drive Motor.*

a) Disconnect Power Cord from Main Drive Motor.



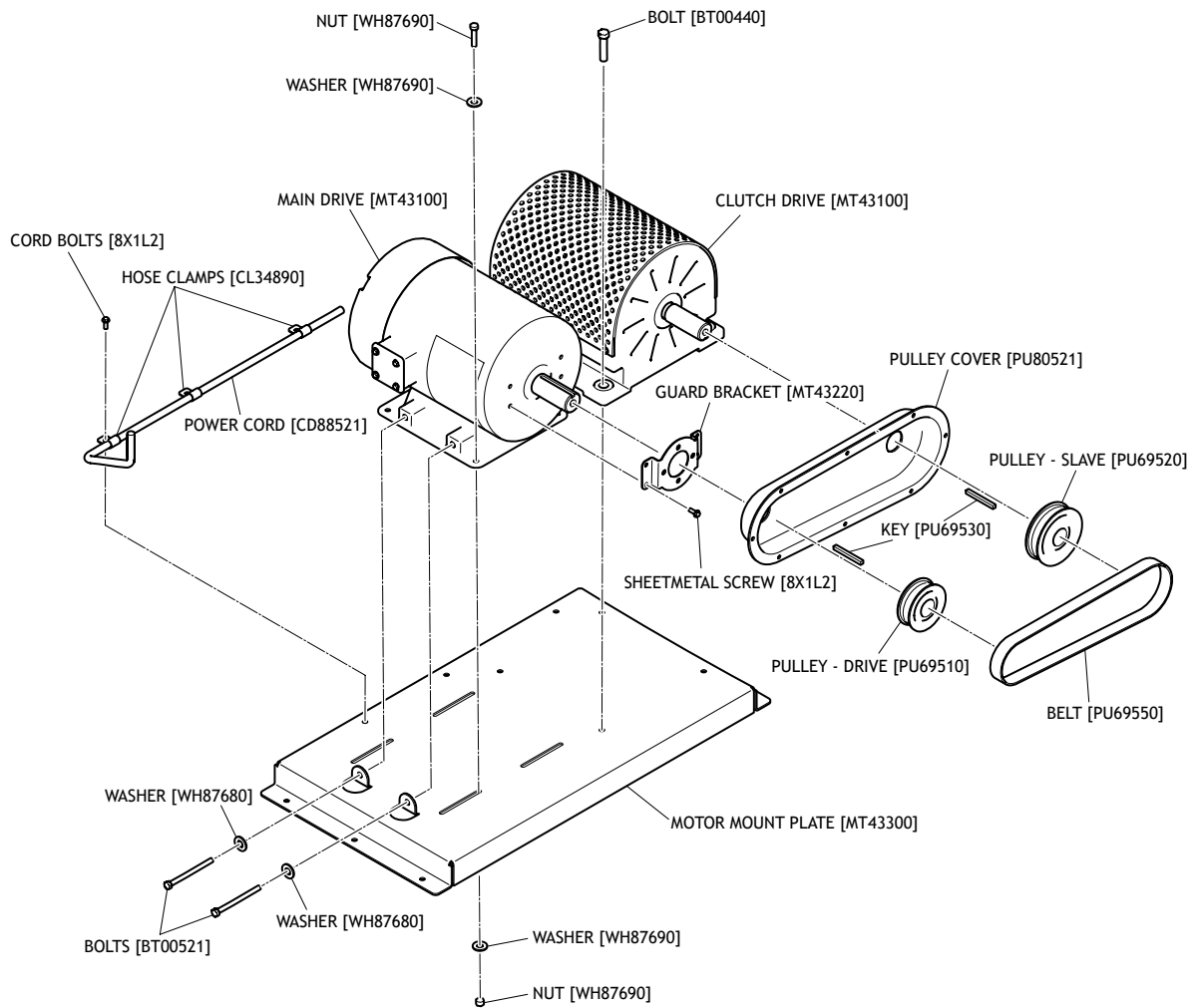
b) Loosen the Bolts, preventing movement during operation.

c) Loosen the Bolts, using a Wrench.

d) Remove Bolts, Washers and Nuts.

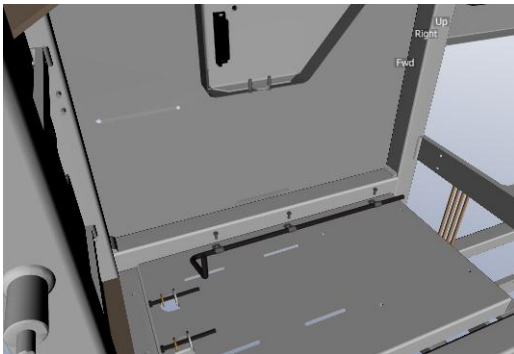
e) Remove Main Drive Motor.

5. *Remove Clutch Drive Assy and Bolts.*



6. Remove Power Cord.

- a) *Remove the Clamp Screws.*
- b) Remove Power Cord and Cable Clamps from Motor Mounting Plate.



7. Remove Motor Mounting Plate.

- a) *Detach Motor Mounting Plate* from Workbench.
- b) Remove Bolts and Washers from Motor Mounting Plate.

