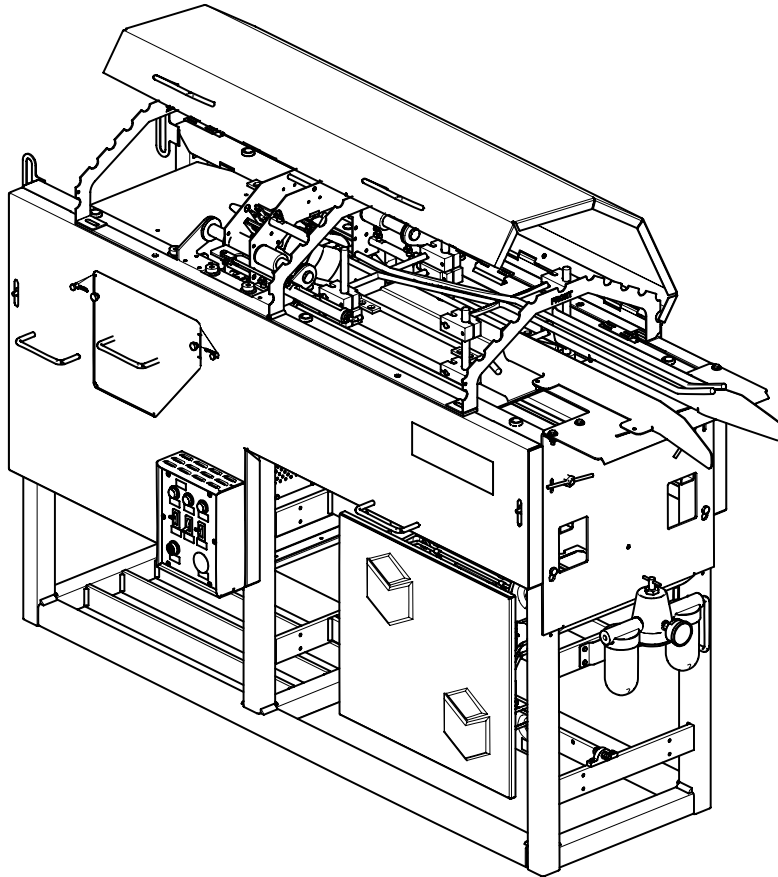
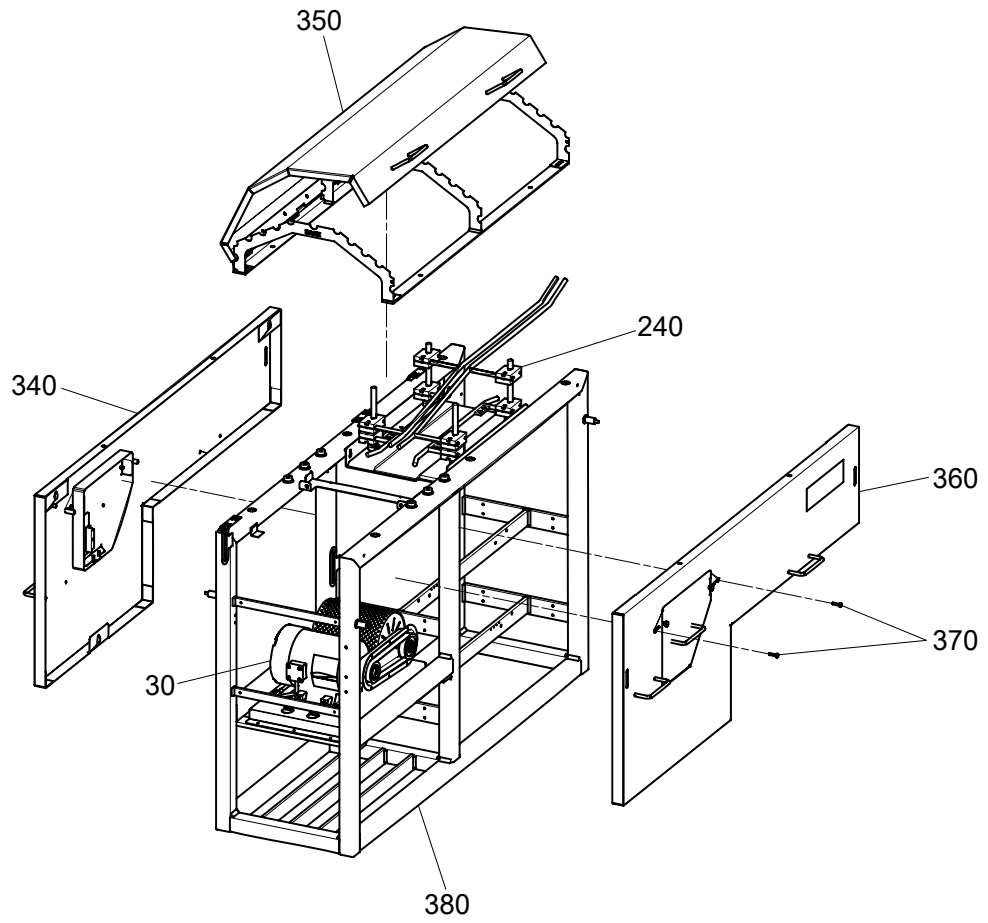


# Machine tool



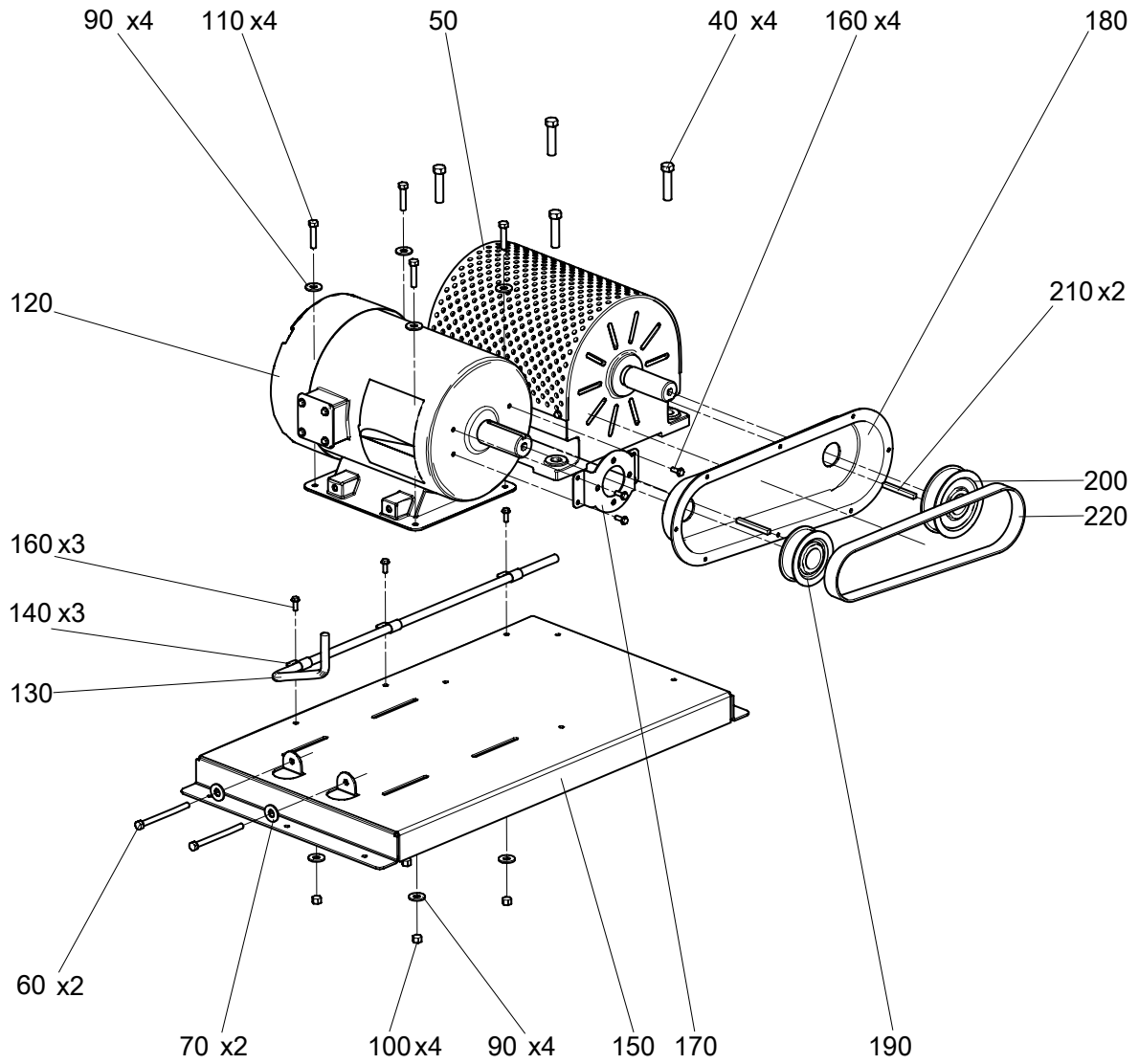
View\_A

# Machine tool



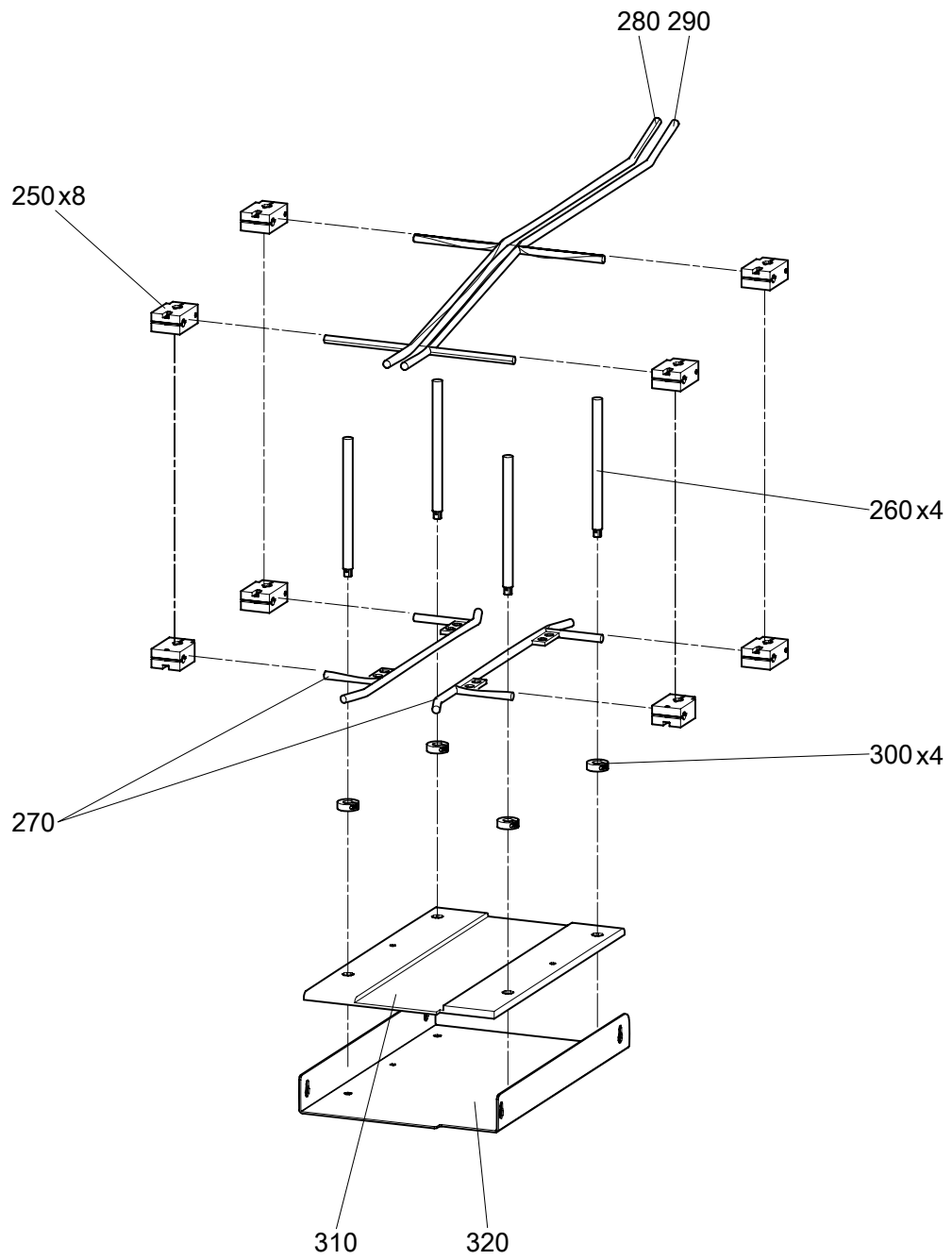
View\_B

# Machine tool



View\_C

# Machine tool



View\_D

## Machine tool

ITEM	DESCRIPTION	PART NO.	QTY	INFO
10	•SHEET METAL ASSY	SH23444	1	
20	•INFEED GUIDE ASSY	SH65200	1	
30	•MOTOR ASSY	MT43000	1	
40	••BOLT	BT00440	4	
50	••CLUTCH DRIVE ASSY	MT43100	1	
60	••BOLT	BT00521	2	
70	••WASHER	WH87680	2	
80	••FASTENER KIT	FN63201	1	
90	•••WASHER	WH87690	8	
100	•••NUT	NT56155	4	
110	•••BOLT	BT00535	4	
120	••MOTOR - MAIN DRIVE	MT43200	1	
130	••POWER CORD	CD88521	1	
140	••CABLE CLAMP	CL34890	3	
150	••MOTOR MOUNT PLATE	MT43300	1	
160	••SHEETMETAL SCREW	8X1L2	7	
170	••GUARD BRACKET	MT43220	1	
180	••PULLEY COVER	PU80521	1	
190	••PULLEY - DRIVE	PU69510	1	
200	••PULLEY - SLAVE	PU69520	1	
210	••KEY	PU69530	2	
220	••BELT	PU69550	1	
230	•SEPARATOR ASSY	SP35000	1	
240	•INFEED TABLE	SH22000	1	
250	••RAIL GUIDE BRACKET	SH22100	8	
260	••RAIL GUIDE SHAFT	SH22200	4	
270	••RAIL GUIDE - BOTTOM	SH22300	2	

## Machine tool

ITEM	DESCRIPTION	PART NO.	QTY	INFO
280	••RAIL GUIDE - RIGHT	SH22400	1	
290	••RAIL GUIDE - LEFT	SH22500	1	
300	••SHAFT COLLAR	SH22600	4	
310	••BELT BED	SH22700	1	
320	••BELT PAN	SH22800	1	
330	•CONTROL PANEL	CT54000	1	
340	•GUARD - RIGHT	SH66254	1	
350	•GUARD - TOP	SH66260	1	
360	•GUARD - LEFT	SH66270	1	
370	•BOLT	BT00420	2	
380	•FRAME	SH78100	1	
390	•INDEX COVER	SH78200	1	
400	•INDEX COVER - FRONT	SH78210	1	
410	•PIPE COUPLING	CP54125	6	
420	•GUARD PIN	BT00670	6	
430	•BOLT	BT00530	4	
440	•SUPPORT PIN	BT00680	4	
450	•STUD	ST45678	2	
460	•AIR FILTER	FL98467	1	
470	•BRACKET - AIR FILTER	SH85120	1	
480	•SHEETMETAL SCREW	8X1L2	4	
490	•FITTING	FT58921	2	
500	•FLARE END	CP68521	3	
510	•SHEETMETAL SCREW	8X1L2	4	
520	•REGULATOR	RG56421	1	
530	•REGCAP	RG56450	1	
540	•BRACKET - REGCAP	SH65812	1	

## Machine tool

ITEM	DESCRIPTION	PART NO.	QTY	INFO
550	• SHEETMETAL SCREW	8X1L2	2	
560	• PIPE	CP85412	AR	
570	• PIPE CLAMP	CL34550	4	
580	• SHEETMETAL SCREW	8X1L2	4	
590	• PIPE CLAMP	CL98520	1	
600	• SHEETMETAL SCREW	8X1L2	2	
610	• CONVEYOR ASSY	AS52100	1	