

AIRCRAFT MAINTENANCE MANUAL

INTRODUCTION - DESCRIPTION AND OPERATION

1. GENERAL

EFFECTIVITY: All

INTENTIONALLY BLANK

EFFECTIVITY: All

AIRCRAFT MAINTENANCE MANUAL

SERVICE BULLETIN LIST

EFFECTIVITY: All

SB LIST

Page 1
Dec 02/11

AIRCRAFT MAINTENANCE MANUAL

INTENTIONALLY BLANK

EFFECTIVITY: All

SB LIST

Page 2
Dec 02/11

GENERAL

TASK TASK 32-10-02-000-801

1. Procedure

A. Torque Links Removal

SUBTASK SUBTASK 32-10-02-210-001

(1)

NOTE: Procedures for the right and left components are the same. Only the procedures for the left are given.

SUBTASK SUBTASK 32-10-02-020-002

(2) Remove the wheel assy.

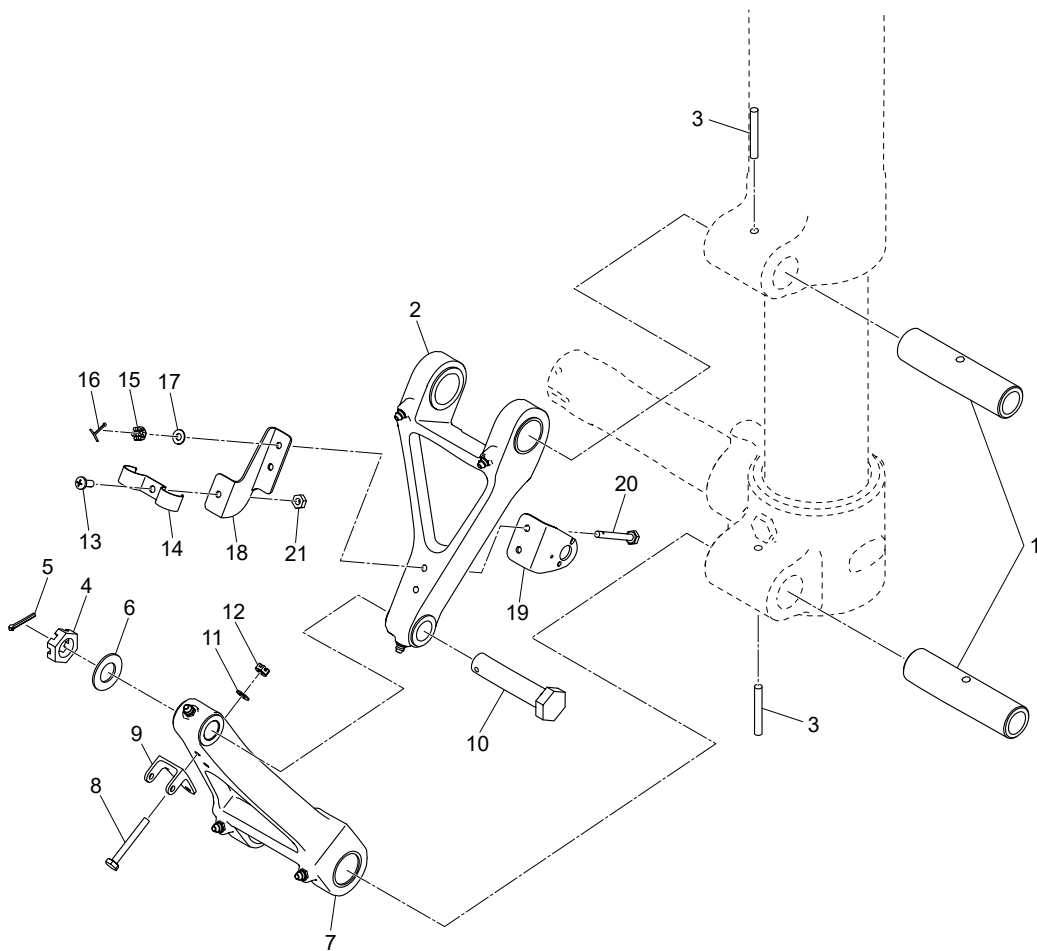
SUBTASK SUBTASK 32-10-02-010-003

(3)

1. Remove the screw (13), clamp (14) and nut (21) from the torque link standoff bracket (18).
2. Remove the cotter pins (16), nuts (15), washers (17), bolts (20), standoff bracket (18) and switch bracket (19) from the upper torque link (2).
3. Remove the nuts (12), washers (11), bolts (8) and the switch terminal bracket (9) from the lower torque link (7).
4. Remove the cotter pin (5), nut (4), washer (6) and bolt (10) from the torque links (2 and 7).
5. Remove the safety wires from the upper and lower slotted spring pins (3). Remove the spring pins (3).
6. Remove link pins (1) from the upper (2) and lower (7) torque links.
7. Remove the upper torque link (2) and lower torque link (7) from the strut and axle.

SUBTASK SUBTASK 32-10-02-220-004

(4) Inspect the strut, pins and torque link bushings.



Torque Links Removal
Figure 1

EFFECTIVITY: 001999

00-00-00