

Main Landing Gear Torque Links - Disassembly procedures

Summary:	Disassembly of Torque links on Main Landing Gear
Work type:	Disassembly
Role:	Maintenance disassembly
Exp time:	42 min
Work cell:	6
Pre job:	754340D
Post job:	75345D
Work order:	
Revision:	1.3 B

PREREQUISITES

Safety Gear should be worn at all times.

Procedure is the same for left and right landing gear struts.

REQUIRED PARTS

Part number	Description	Quantity
nut_21	nut	1
standoff_bracket_18	standoff bracket	1
nut_4	nut	1
bolt_10	bolt	1
washer_6	washer	1
screw_13	screw	1
nuts_15	nuts	2
washers_17	washers	2
bolts_20	bolts	2
cotter_pins_16	cotter pins	2
cotter_pin_5	cotter pin	1
strut	strut	1
lower_torque_link_7	lower torque link	1
torque_link_bushings	torque link bushings	2
spring_pin_3	spring pin	2
upper_torque_link_2	upper torque link	1
switch_bracket_19	switch bracket	1
clamp_14	clamp	1
switch_terminal_bracket_9	switch terminal bracket	1
bolts_8	bolts	2
washers_11	washers	2
nuts_12	nuts	2
link_pin_1	link pin	2
wheel_assy	wheel assy	1
safety_wire	safety wire	2

JOB**TASK 1**

Prerequisites.

NOTE

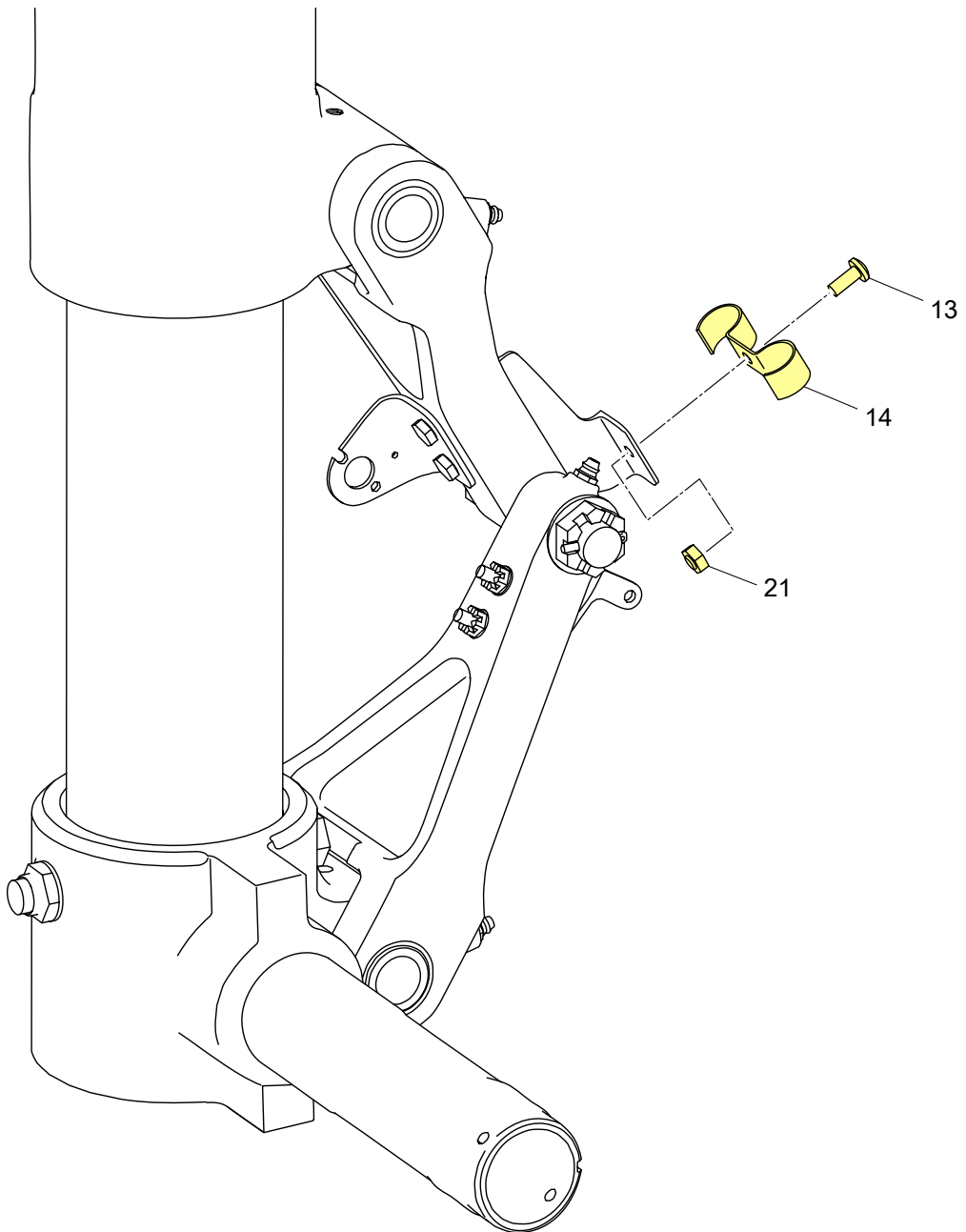
Procedures for the right and left components are the same. Only the procedures for the left are given.

TASK 2

Remove the [wheel assy](#) .

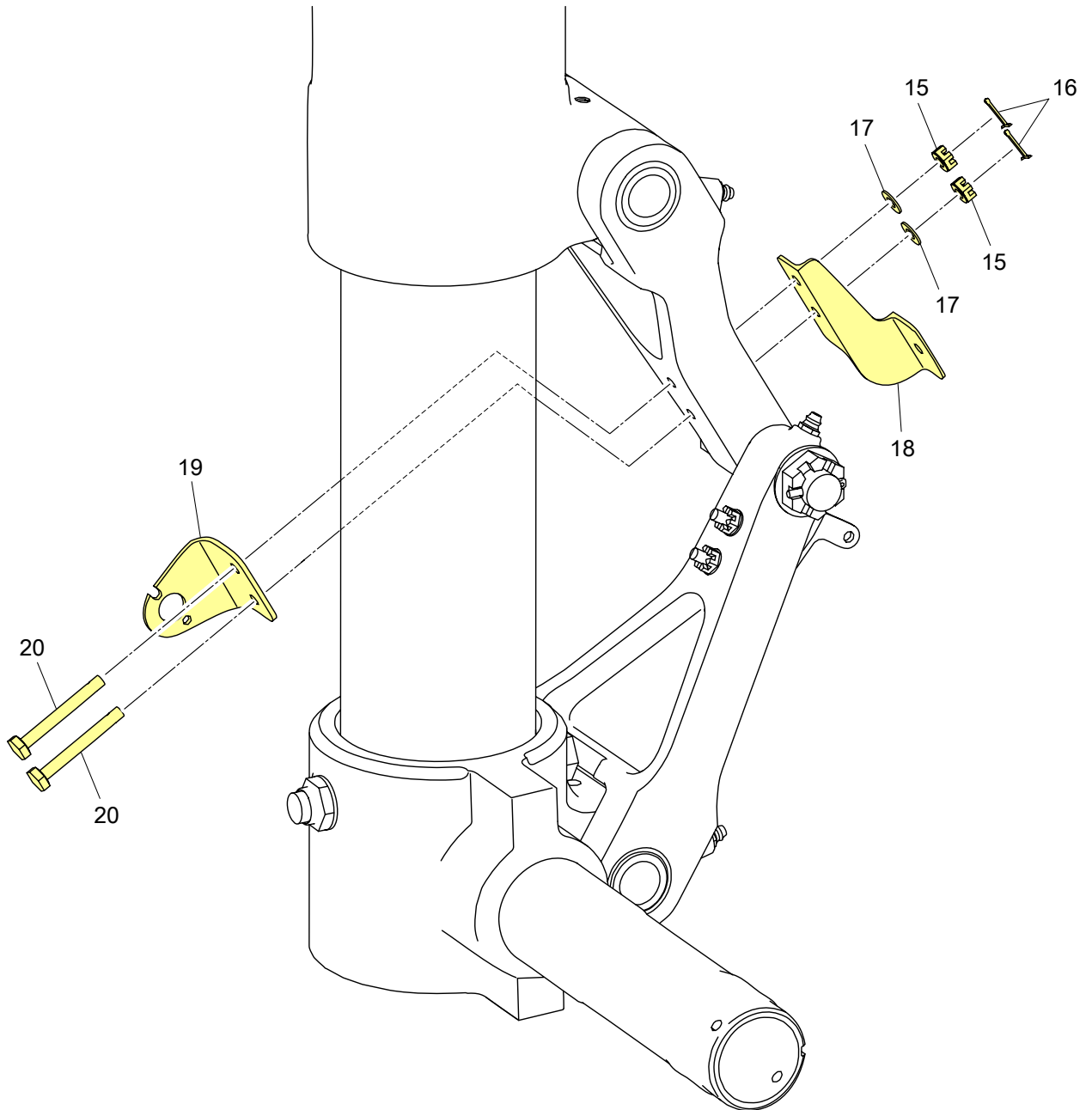
TASK 3

Remove the screw (13) , clamp (14) and nut (21) from the upper torque link (2) standoff bracket (18) .



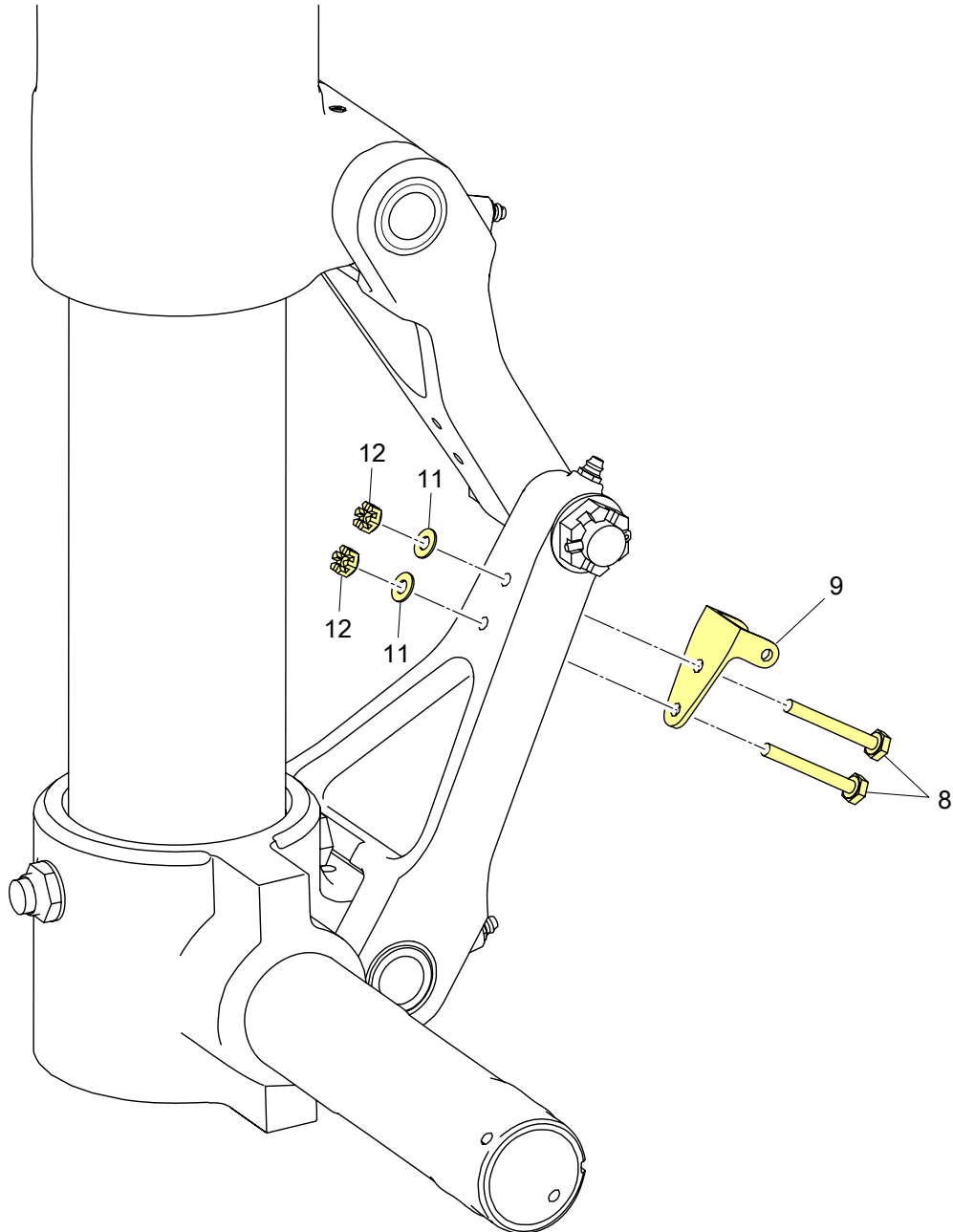
TASK 4

Remove the cotter pins (16) , nuts (15) , washers (17) , bolts (20) , standoff bracket (18) and switch bracket (19) from the upper torque link (2) .



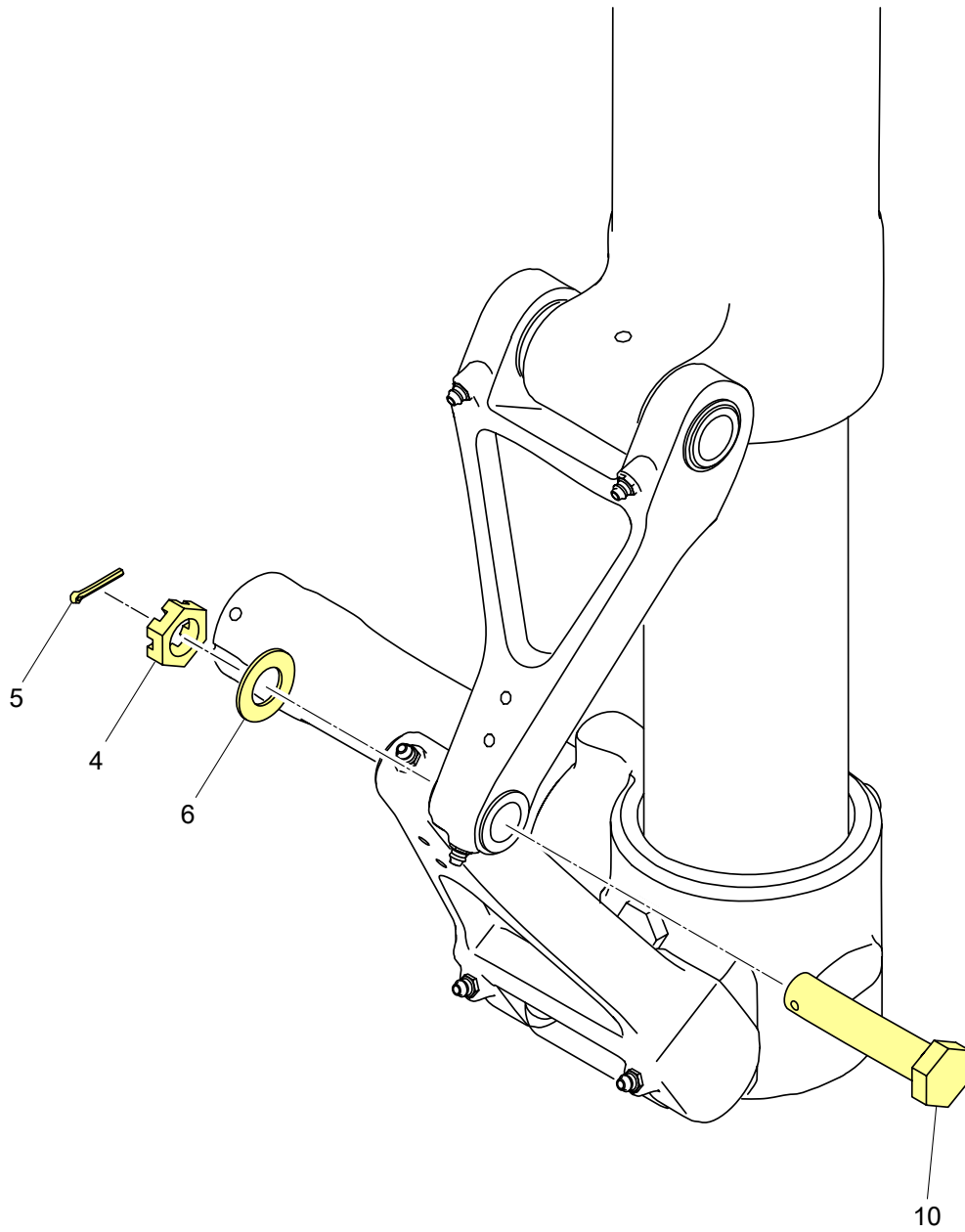
TASK 5

Remove the nuts (12) , washers (11) , bolts (8) and the switch terminal bracket (9) from the lower torque link (7) .



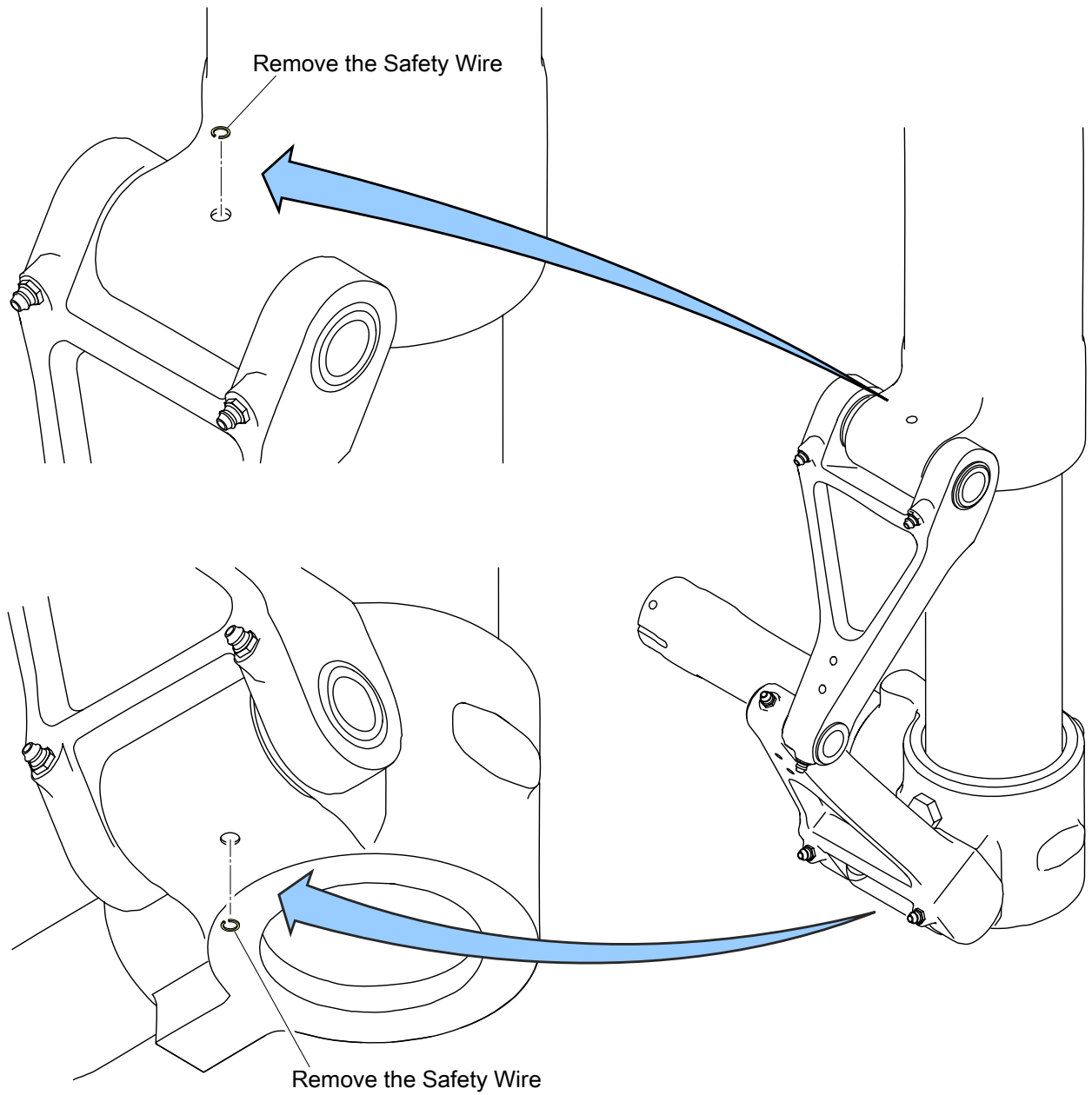
TASK 6

Remove the cotter pin (5) , nut (4) , washer (6) and bolt (10) from the torque links (2 and 7) .



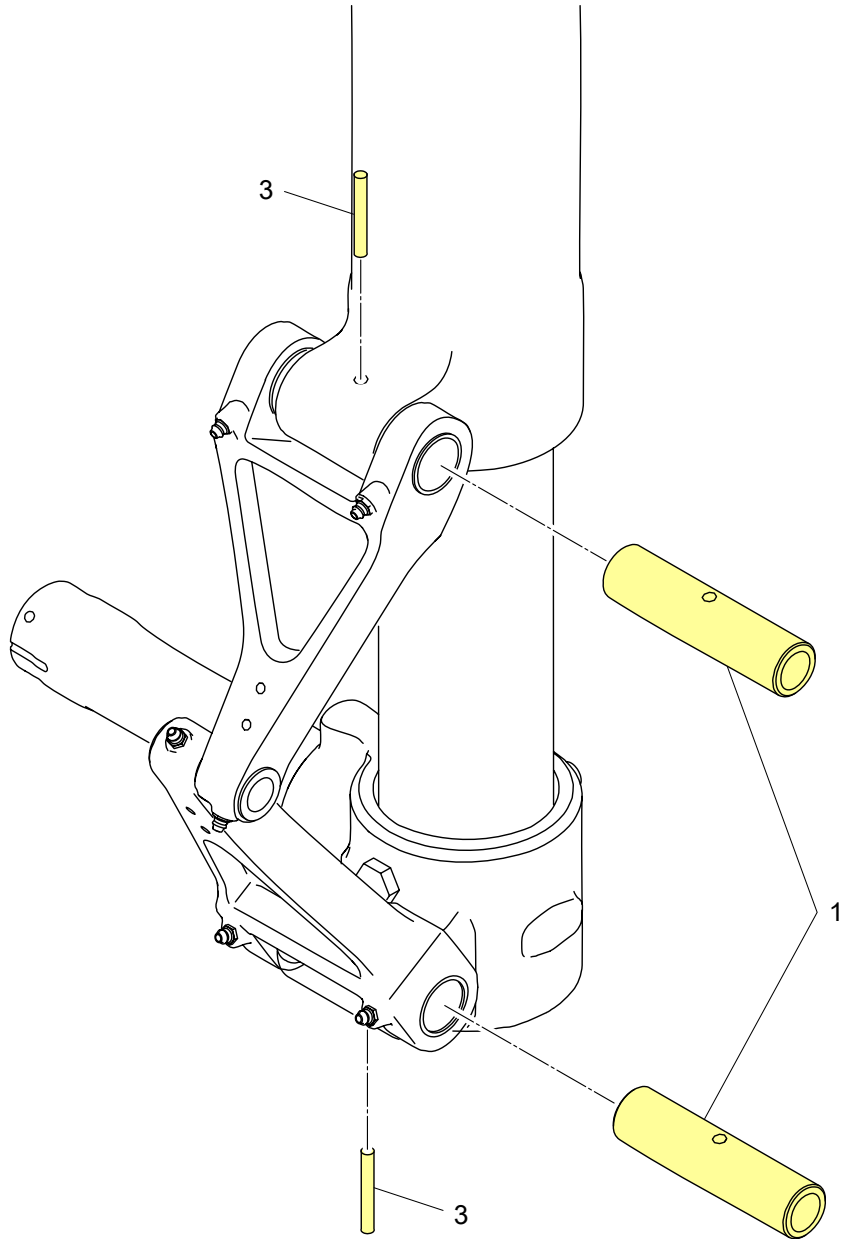
TASK 7

Remove the **safety wires** from the **upper and lower slotted spring pins (3)** . Remove the **spring pins (3)** .



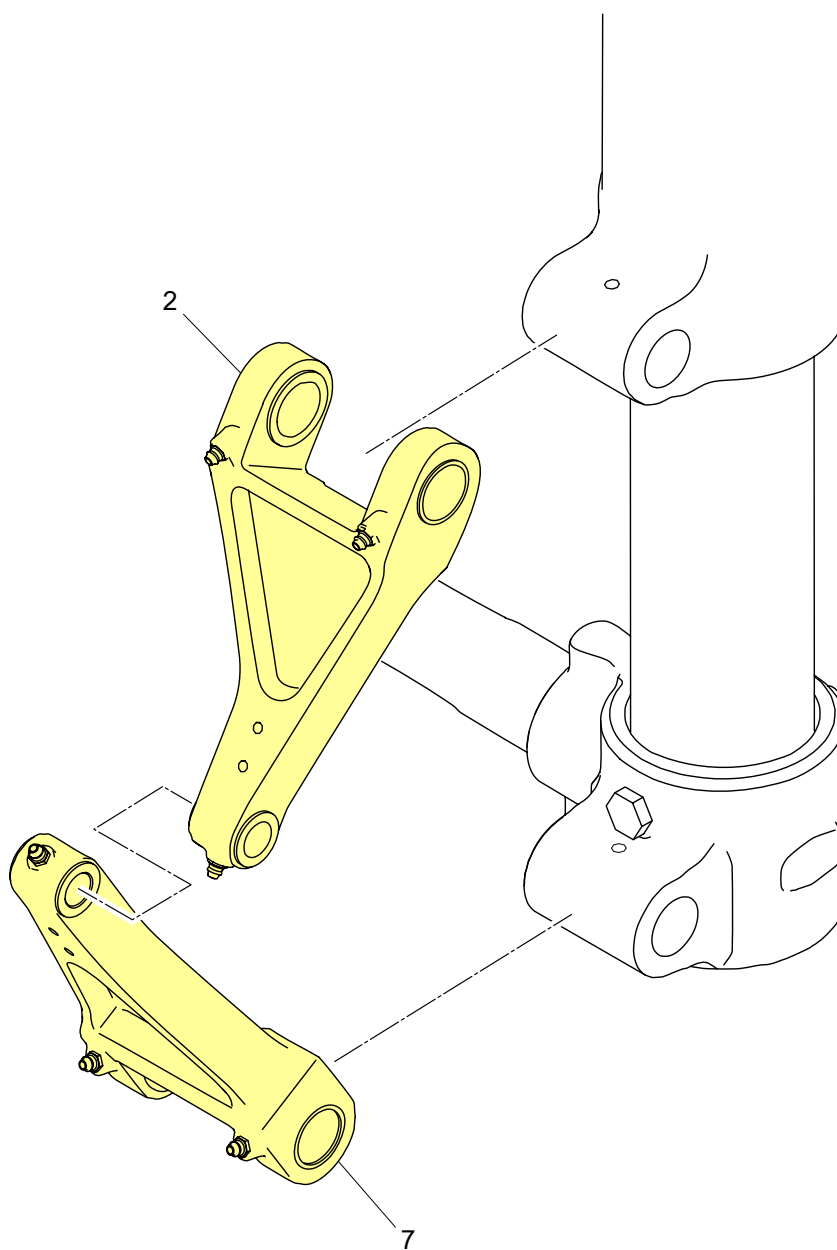
TASK 8

Remove link pins (1) from the upper (2) and lower (7) torque links.



TASK 9

Remove the **upper torque link (2)** and **lower torque link (7)** from the **strut and axle** .

**TASK 10**

Inspect the **strut** , **pins** and **torque link bushings** for damage.