

---

# MAIN LANDING GEAR TORQUE LINKS

## *Illustrated Parts Data*

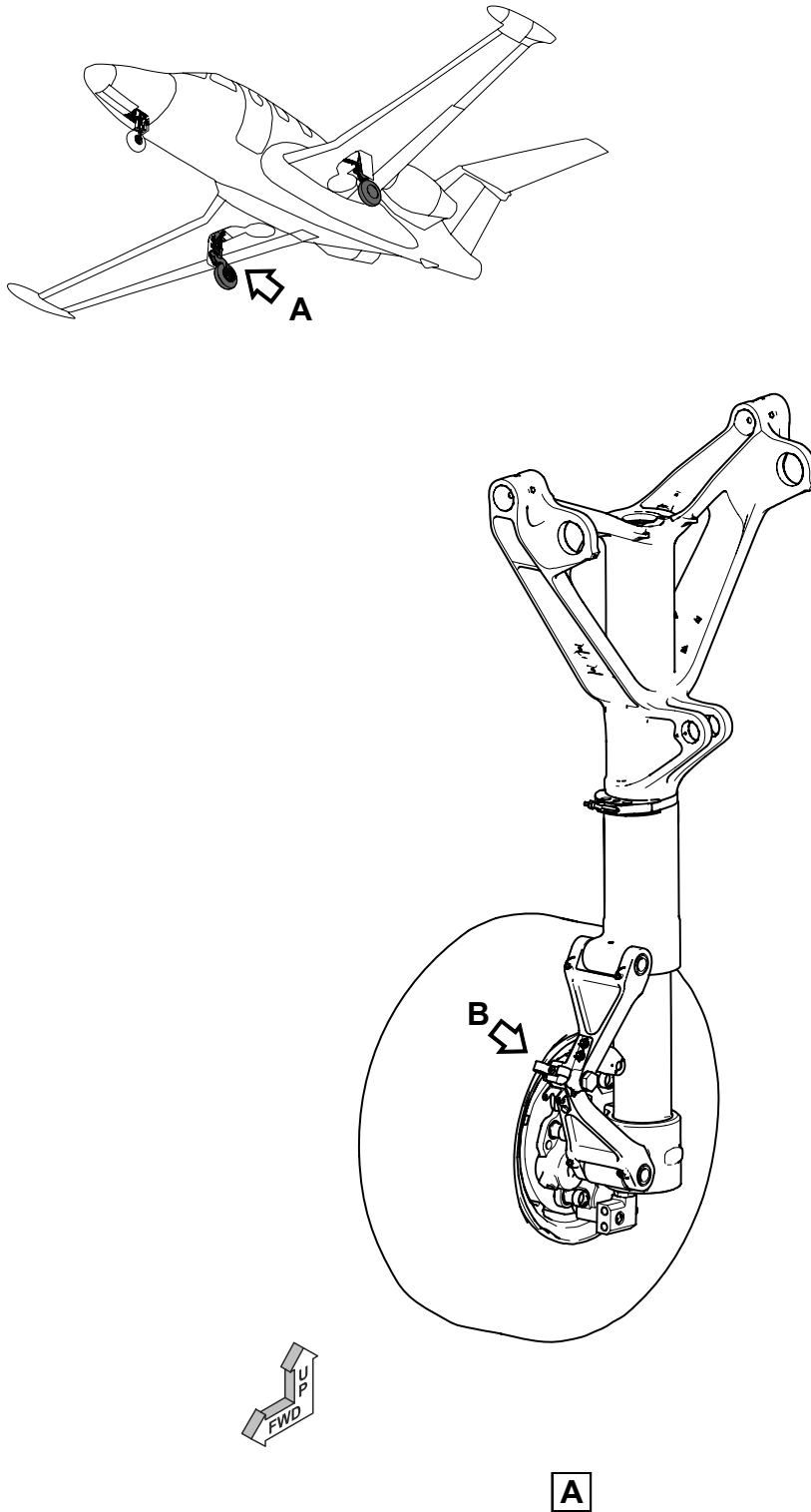
### Table of contents

Page

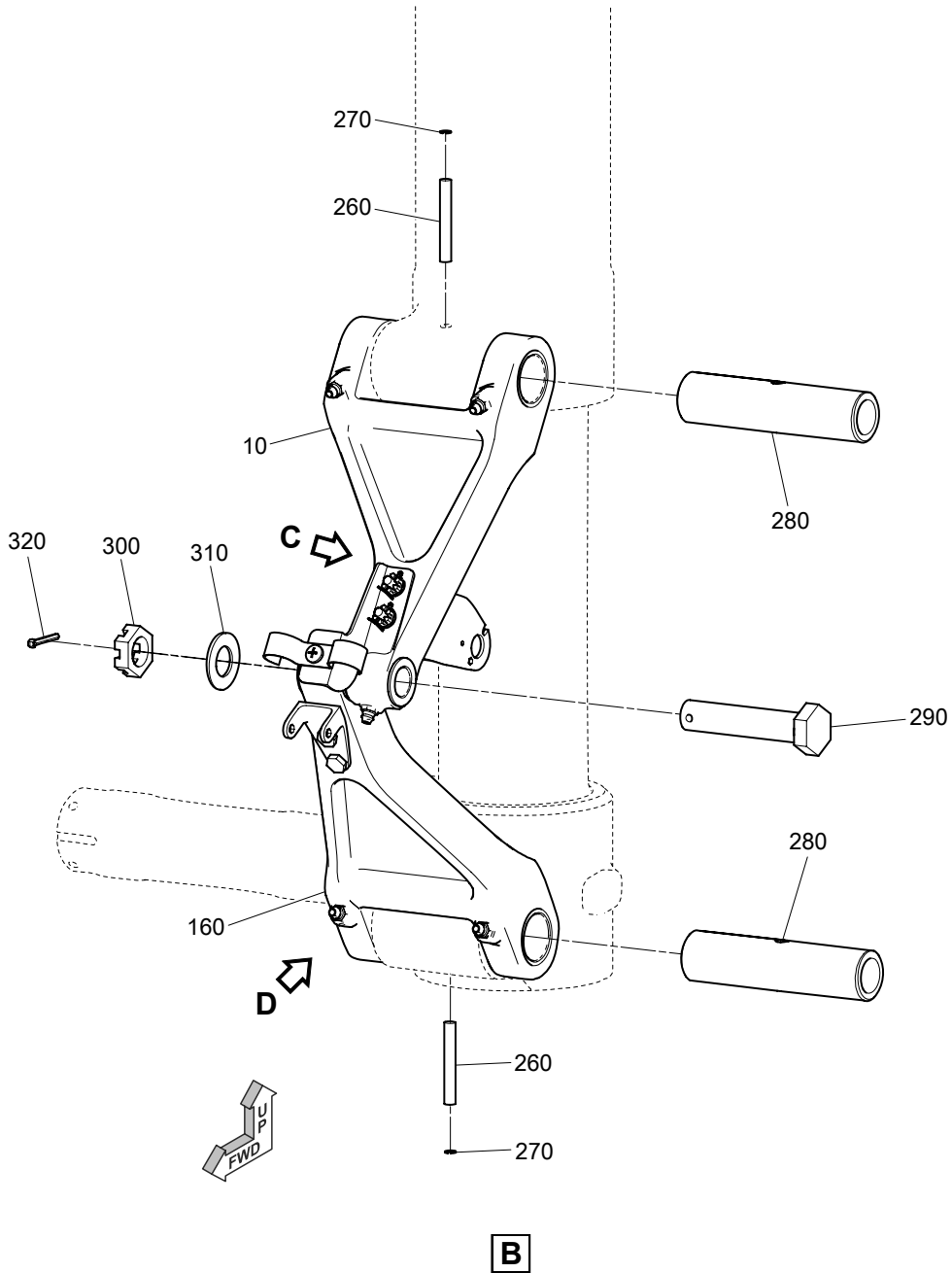
Illustrated Parts Data..... 1

### List of figures

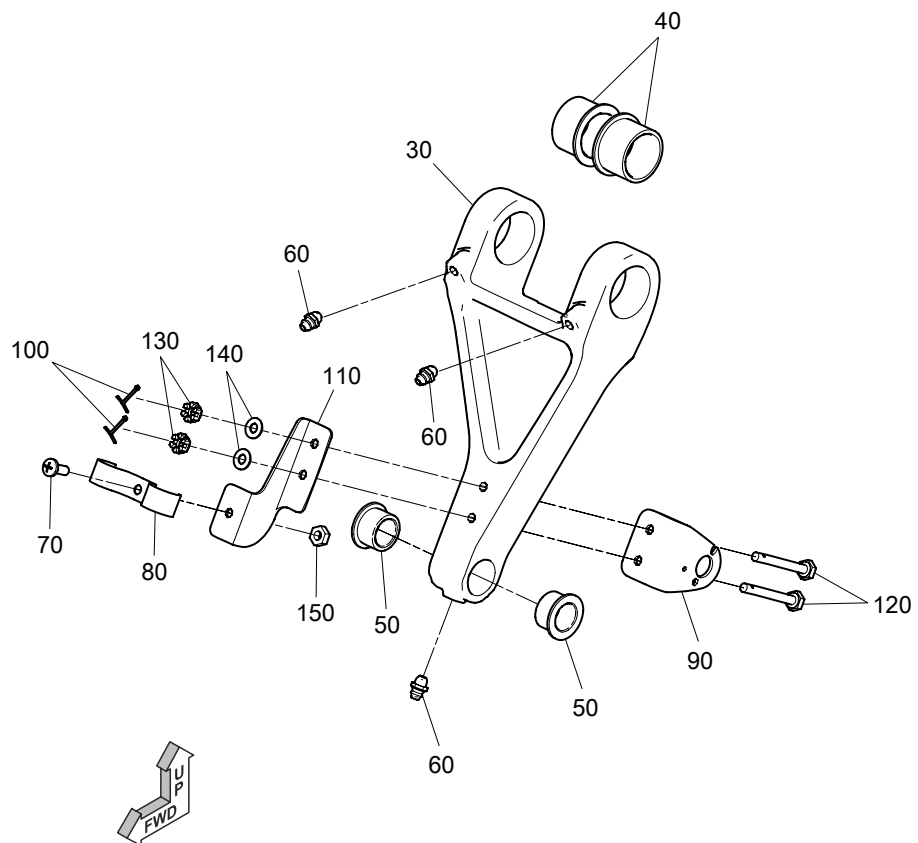
1 MAIN LANDING GEAR TORQUE LINKS (Sheet 1 of 4)..... 2  
1 MAIN LANDING GEAR TORQUE LINKS (Sheet 2 of 4)..... 3  
1 MAIN LANDING GEAR TORQUE LINKS (Sheet 3 of 4)..... 4  
1 MAIN LANDING GEAR TORQUE LINKS (Sheet 4 of 4)..... 5



ICN-C3D-A-321002-0-00000-00001-A-01-1  
Figure 1 MAIN LANDING GEAR TORQUE LINKS (Sheet 1 of 4)

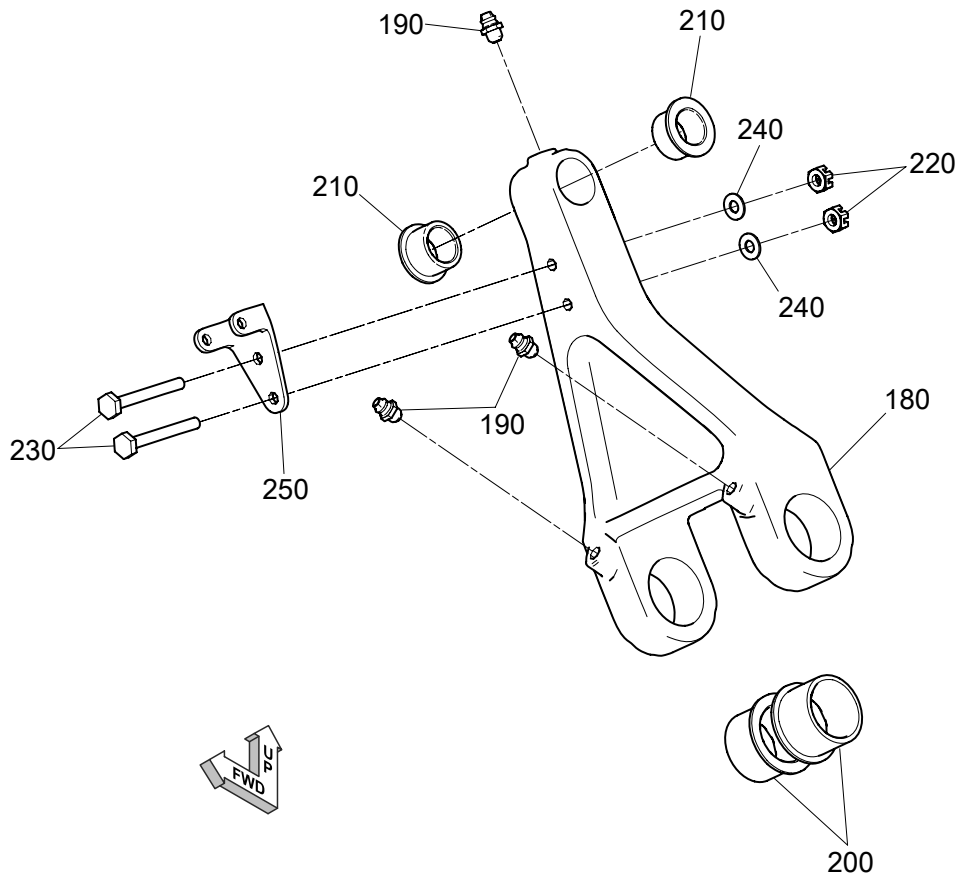


ICN-C3D-A-321002-0-00000-00002-A-01-1  
Figure 1 MAIN LANDING GEAR TORQUE LINKS (Sheet 2 of 4)



C

ICN-C3D-A-321002-0-00000-00003-A-01-1  
Figure 1 MAIN LANDING GEAR TORQUE LINKS (Sheet 3 of 4)



D

ICN-C3D-A-321002-0-00000-00004-A-01-1  
Figure 1 MAIN LANDING GEAR TORQUE LINKS (Sheet 4 of 4)

**UNCLASSIFIED**

Fig	Item	Units per assembly/ Unit of issue	CAGE	Part No. NATO stock No.	Description	*Usable on code assy •MV/Effect	ICY
01A							
	1	RF	01673	NHA	MAIN LANDING GEAR		
	10	1	02750	098-954-566	•UPPER ASSY		
	20	1	03024	123-000-001	••UPPER TORQUE LINK ASSY		
	30	1	00672	DPA759HJD4F5	•••UPPER TORQUE LINK		
	40	2	03350	BACB6GG63A0	•••BUSHING		
	50	2	03350	BACB1KKFTG5	•••BUSHING		
	60	3	03818	NAG72040JK84	•••GREASE ZERK		
	70	1	03024	SSA-520960-2	••SCREW		
	80	1	03024	CP34FDST876-01	••CLAMP		
	90	1	02697	SB23FRGH760-01	••SWITCH BRACKET		
	100	2	02101	BACP26BC42A10P	••LINK PIN		
	110	1	03024	SB69HLJK190-03	••STANDOFF BRACKET		
	120	2	03350	BSA-210940-1	••BOLT		
	130	2	00922	BACN20ZR7DE	••NUT		
	140	2	03024	NAS1362D0734J	••WASHER		
	150	1	03350	BACN30ZR8KR	••NUT		
	160	1	03350	241-879-217	•LOWER ASSY		
	170	1	02750	123-000-002	••LOWER TORQUE LINK ASSY		
	180	1	00672	DPA759HJD4F5	•••UPPER TORQUE LINK		
	190	3	03818	NAG72040JK84	•••GREASE ZERK		
	200	2	03350	BACB6GG63A0	•••BUSHING		
	210	2	03350	BACB1KKFTG5	•••BUSHING		
	220	2	02750	BACN20XP7CD	••NUT		
	230	2	02750	BACB40KL4C01	••BOLT		
	240	2	03818	BWT65T07321	••WASHER		
	250	1	00922	PF69HLJK190-05	••SWITCH TERMINAL BRACKET		
	260	2	02697	BACP16BC02A10P	•SPRING PIN		
	270	2	03024	300W028	•SAFETY WIRE		
	280	2	02101	BACP26BC42A10P	•LINK PIN		
	290	1	01673	BSA-523657-3	•BOLT		
	300	1	01673	BACN20ZR7DF	•NUT		

Applicable to: All

**C3D-A-32-10-02-01A-941A-D**

UNCLASSIFIED

---

Fig	Item	Units per assembly/ Unit of issue	CAGE	Part No. NATO stock No.	Description	*Usable on code assy •MV/Effect	ICY
	310	1	01673	NAS2364F0846M	•WASHER		
	320	1	03024	BACP27FD05A67G	•COTTER PIN		

---