
Pump

Illustrated Parts Data

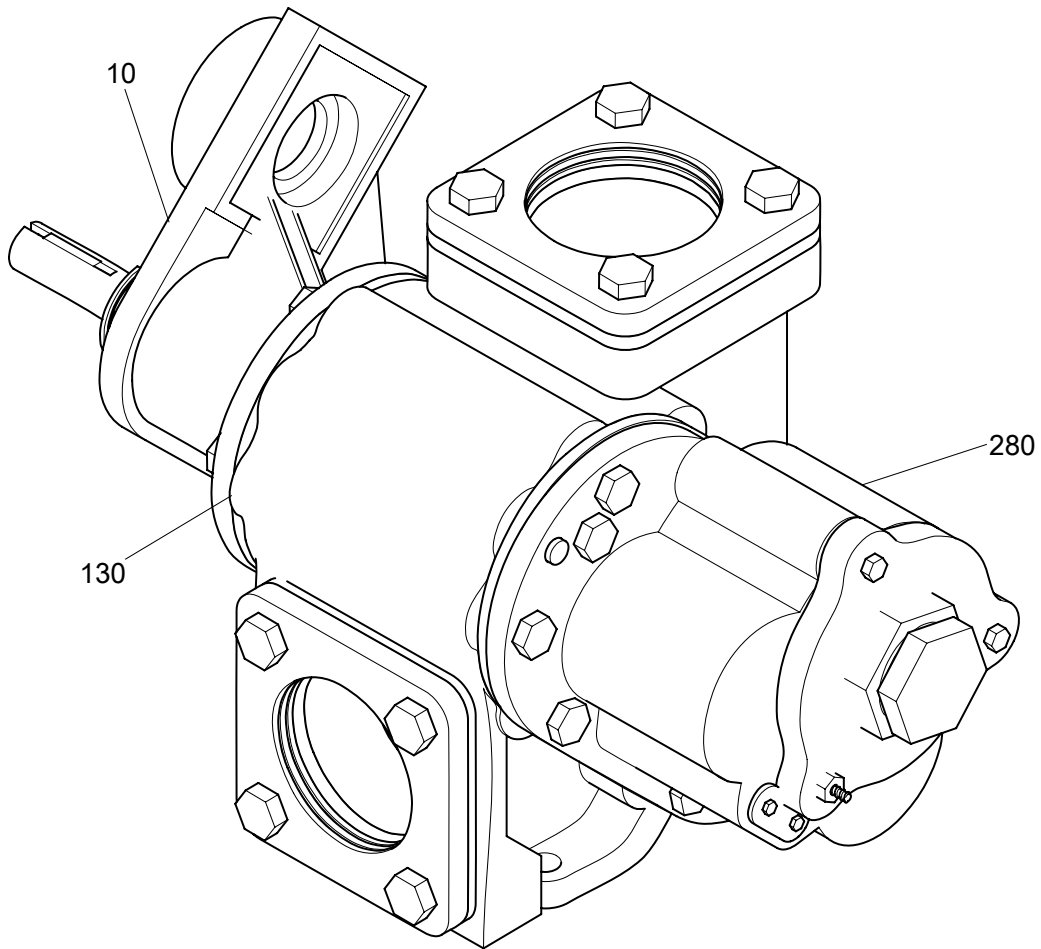
Table of contents

Page

Illustrated Parts Data..... 1

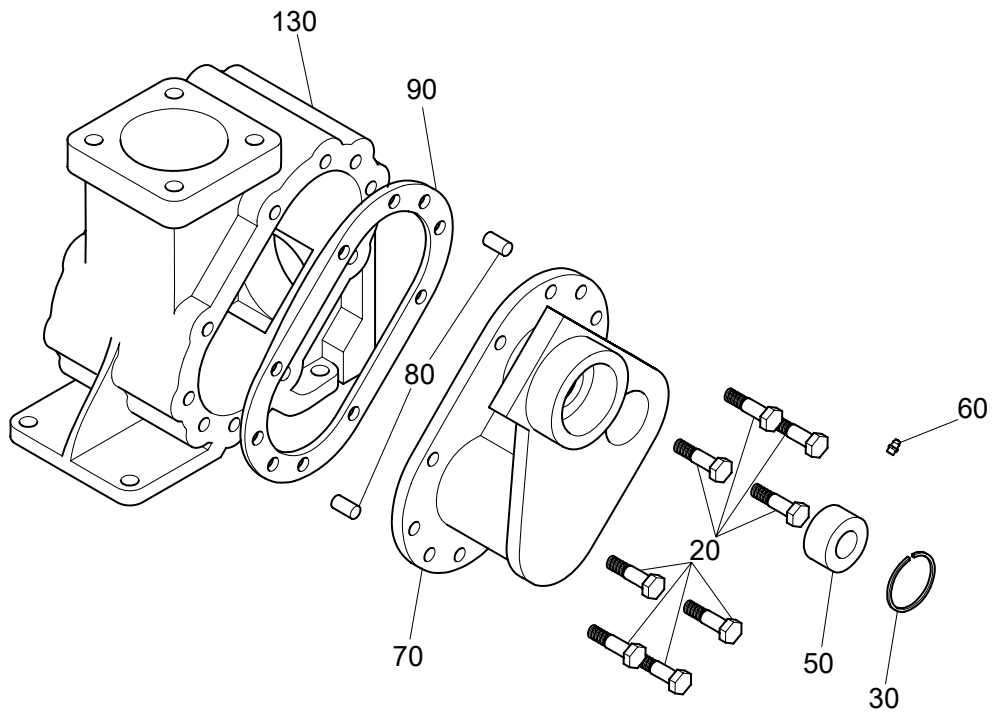
List of figures

1 Pump (Sheet 1 of 6)..... 2
1 Pump (Sheet 2 of 6)..... 3
1 Pump (Sheet 3 of 6)..... 4
1 Pump (Sheet 4 of 6)..... 5
1 Pump (Sheet 5 of 6)..... 6
1 Pump (Sheet 6 of 6)..... 7



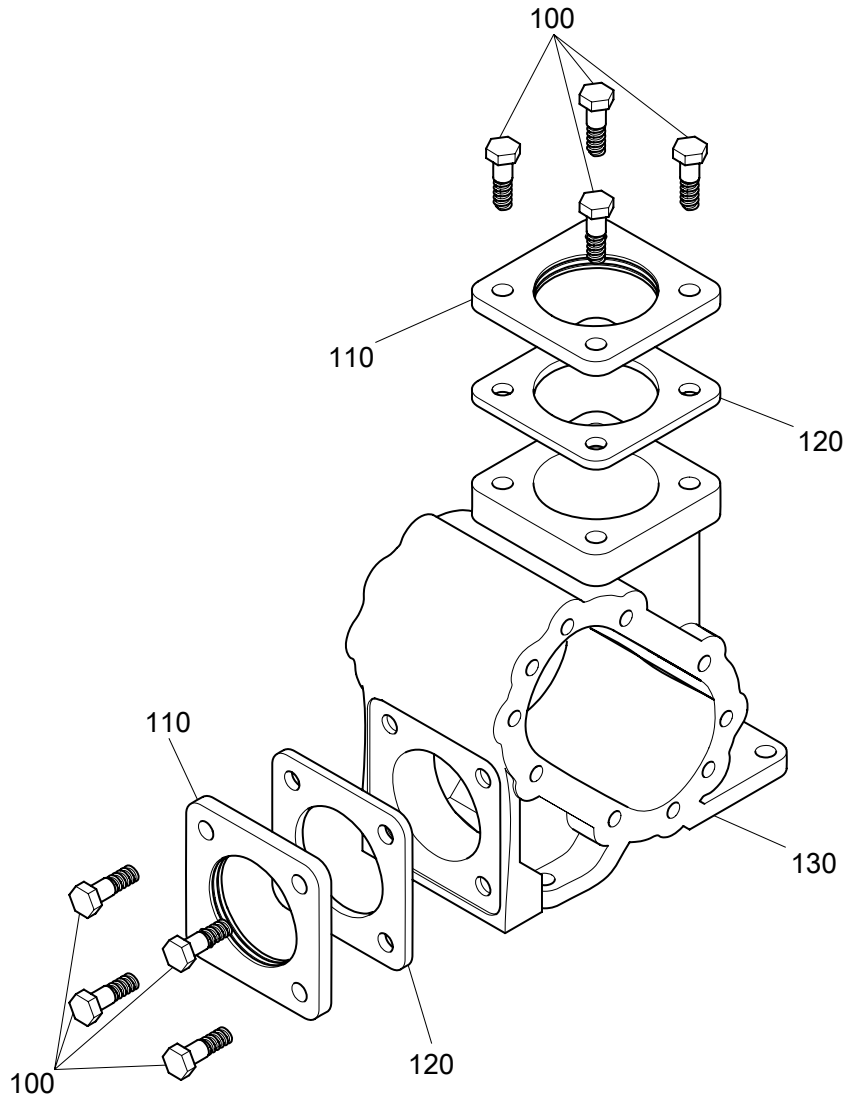
ICN-PUMP-A-732003-0-00000-33621-A-01-1

Figure 1 Pump (Sheet 1 of 6)



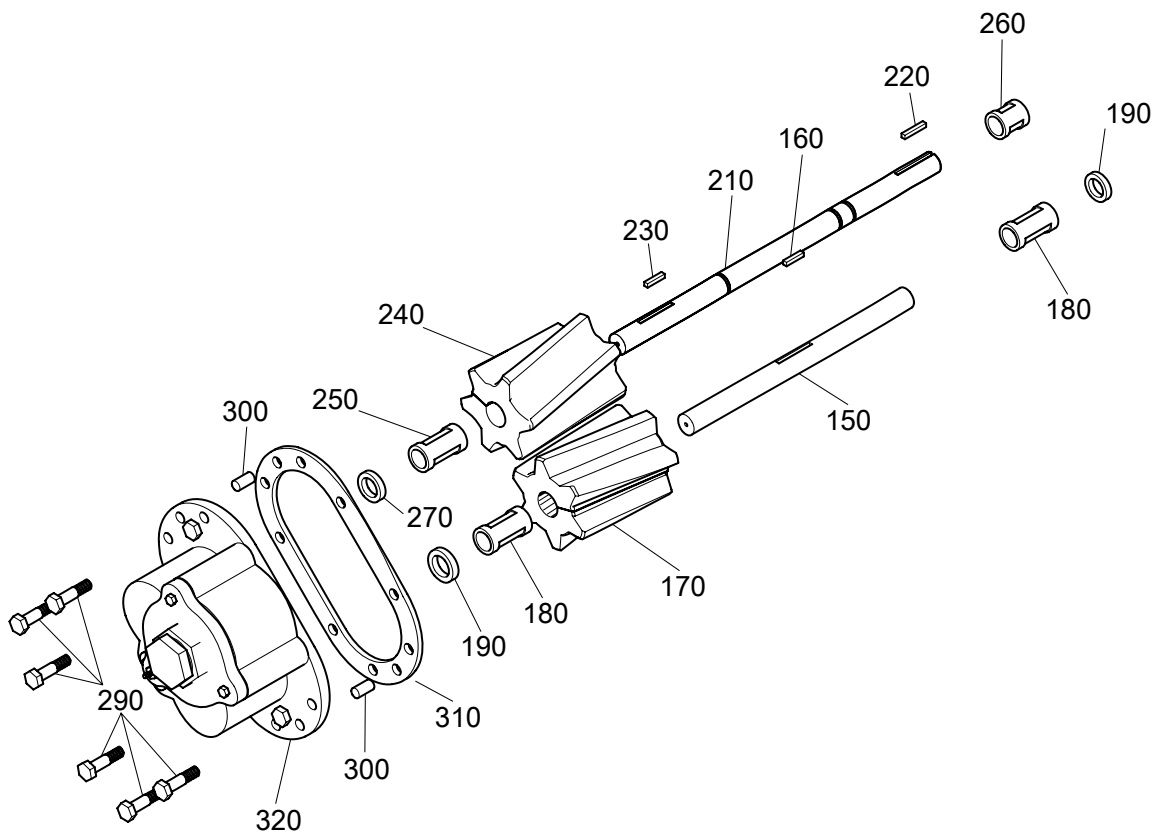
ICN-PUMP-A-732003-0-00000-33622-A-01-1

Figure 1 Pump (Sheet 2 of 6)



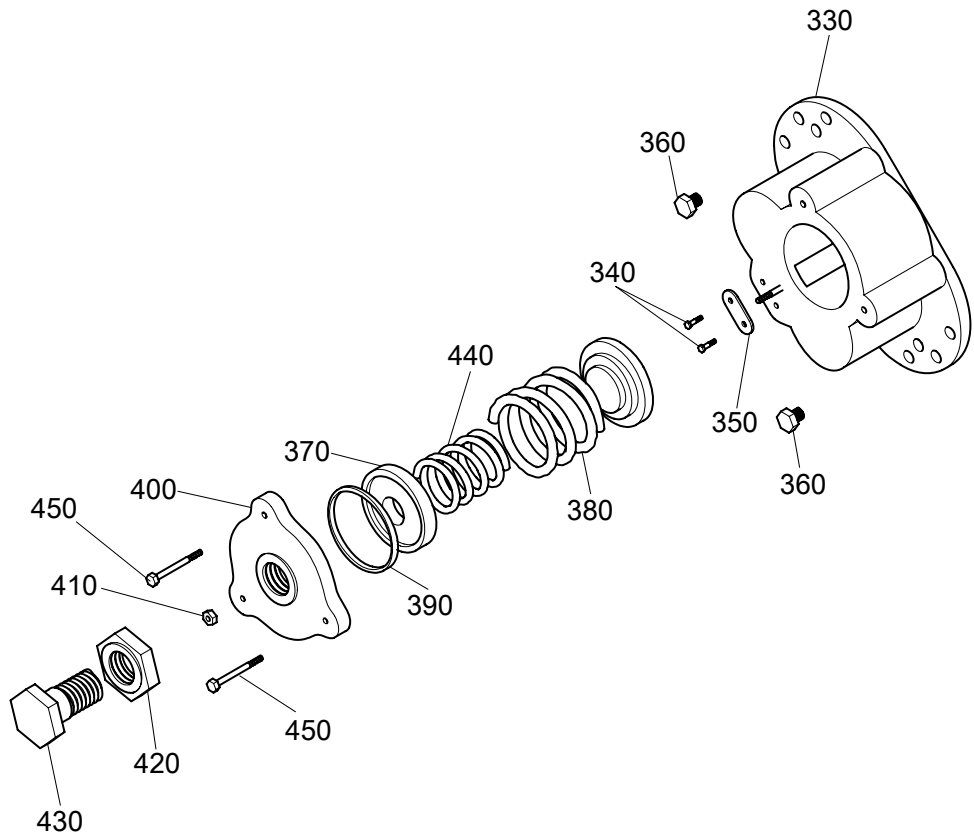
ICN-PUMP-A-732003-0-00000-33623-A-01-1

Figure 1 Pump (Sheet 3 of 6)



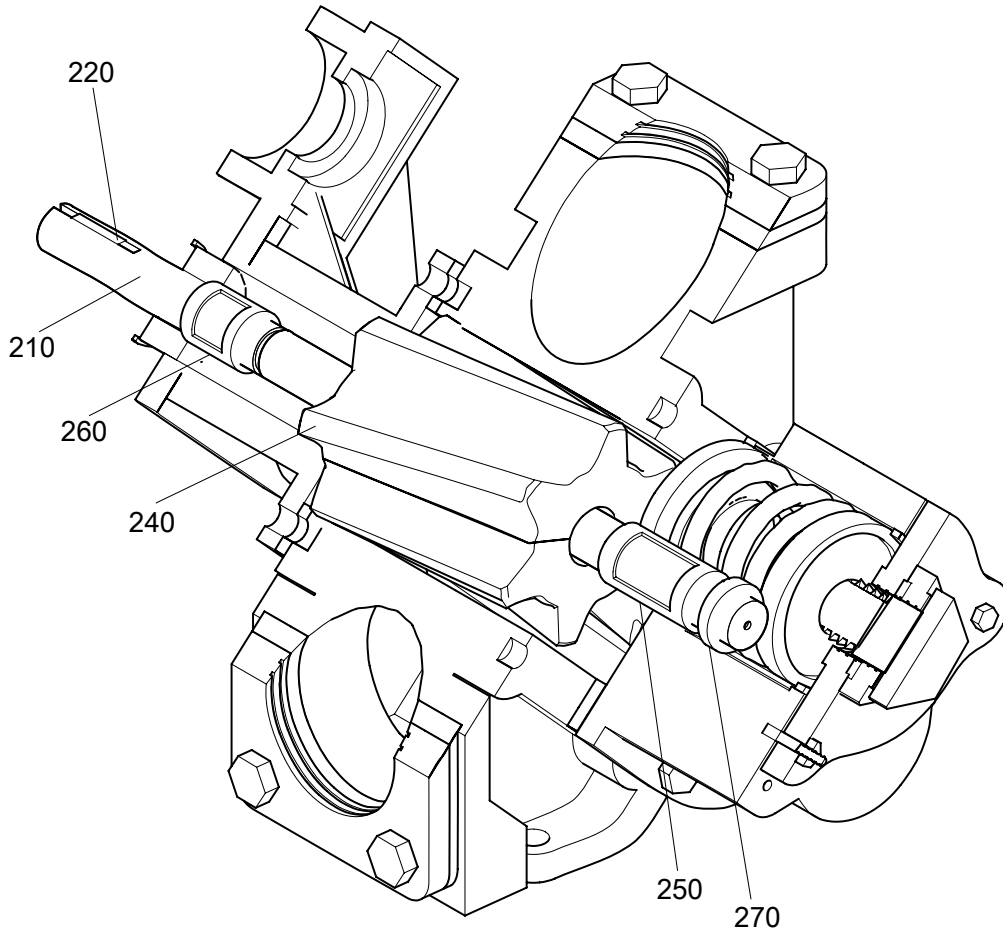
ICN-PUMP-A-732003-0-00000-33624-A-01-1

Figure 1 Pump (Sheet 4 of 6)



ICN-PUMP-A-732003-0-00000-33625-A-01-1

Figure 1 Pump (Sheet 5 of 6)



ICN-PUMP-A-732003-0-00000-33626-A-01-1

Figure 1 Pump (Sheet 6 of 6)

UNCLASSIFIED

Fig	Item	Units per assembly/ Unit of issue	CAGE	Part No. NATO stock No.	Description	*Usable on code assy •MV/Effect	ICY
00AA							
	1	RF	10819	PM005300	Pump Assy		
	10	1	10819	PM005301	•Back Plate Assy		
	20	8	10819	BLT000324	••Bolt, Hex Head		
	30	1	10819	PM005302	••Retaining ring		
	40	1	10819	PM005303	••Ball Bearing Assy		
	50	1	10819	PM005305	•••Ball Bearing		
	60	1	10819	PM005310	•••Zerk Fitting		
	70	1	10819	PM005320	••Backplate		
	80	2	10819	DP00356	••Dowel Pin		
	90	1	10819	PM005330	••Gasket, Case		
	100	8	10819	BLT000350	•Bolt, Hex Head		
	110	2	10819	PM005340	•Flange, Straight		
	120	2	10819	PM005345	•Gasket, Flange		
	130	1	10819	PM005350	•Casing		
	140	1	10819	PM005500	•Idler Shaft Assy		
	150	1	10819	SH40020	••Shaft, Idler		
	160	1	10819	SH40140	••Key		
	170	1	10819	SH40500	••Gear, Right Hand		
	180	2	10819	PM005510	••Bushing, Long		
	190	2	10819	PM005530	••Washer, Expansion		
	200	1	10819	PM005501	•Drive Shaft Assy		
	210	1	10819	SH40120	••Shaft, Drive - Rev. A CAN BE REPLACED BY SH40121	*A	1
	210	1	10819	SH40121	••Shaft, Drive - Rev. B CAN BE REPLACED BY SH40120	*B	1
	220	1	10819	SH40040	••Key		
	230	1	10819	SH40140	••Key		
	240	1	10819	SH40400	••Gear, Left Hand		
	250	1	10819	PM005510	••Bushing, Long		
	260	1	10819	PM005520	••Bushing, Short		
	270	1	10819	PM005530	••Washer, Expansion		
	280	1	10819	PM005600	•Face Plate Assy		

Applicable to: All

PUMP-A-73-20-03-00AA-941D-A

UNCLASSIFIED

Fig	Item	Units per assembly/ Unit of issue	CAGE	Part No. NATO stock No.	Description	*Usable on code assy •MV/Effect	ICY
290	6		10819	BLT000324	••Bolt, Hex Head		
300	2		10819	DP00356	••Dowel Pin		
310	1		10819	PM005330	••Gasket, Case		
320	1		10819	PM005400	••Face Plate Assembly, Relief Valve		
330	1		10819	PM005410	•••Face Plate		
340	2		10819	PM005420	•••Drive Screw		
350	1		10819	PM005430	•••Name Plate		
360	2		10819	PM005440	•••Pipe Plug		
370	1		10819	PM005450	•••Poppet and Spring		
380	1		10819	PM005460	•••Spring, Standard		
390	1		10819	PM005470	•••O-Ring, Buna		
400	1		10819	PM005480	•••Plug Cap		
410	1		10819	NT3456	•••Nut		
420	1		10819	NT4850	•••Nut, Lock and Seal		
430	1		10819	BLT005532	•••Screw, Adjustment		
440	1		10819	PM5490	•••Spring, High Pressure		
450	2		10819	BLT003345	•••Bolt, Hex Head		