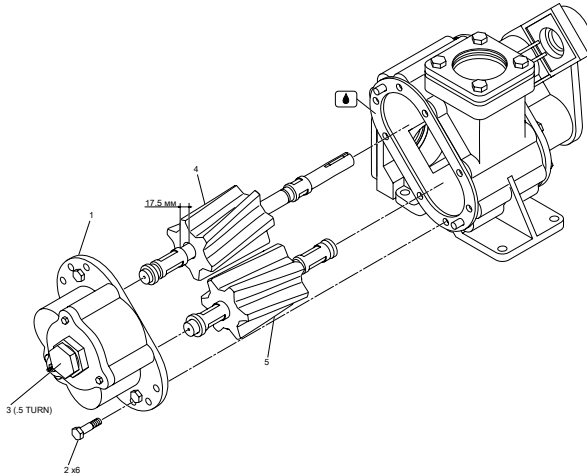


# Pump DITA Maintenance Manual

---

This is a demonstration procedure authored in RapidAuthor using the DITA 1.1 Specification.

1. Remove the *Pump Valve Housing* using number 15 wrench



2. Remove the *Pump Valve Housing* and inspect the *rotors* for cracks and fouling. Replace as appropriate using Maintenance Procedure JC0346.



3. Prior to re-installation of the *Pump Valve Housing*, ensure the gasket is resealed with the correct gasket sealant.
4. Reinstall the *Pump Valve Housing*.
5. Reinstall the Pump Valve. NOTE: Ensure that all bolts are tightened to 25nm.
6. Loosen the pump adjuster by .5 turn.
  - a) Adjust Valve: Loosen the *BLT005532*