
SunFlower Drone - Disassembling

Table of contents

Page

Preliminary requirements.....	1
Procedure.....	2
Requirements after job completion.....	7

List of tables

Page

1	Required conditions.....	1
2	Support equipment.....	1
3	Consumables, materials and expendables.....	1
4	Spares.....	2
5	Required conditions.....	7

List of figures

Page

1	SunFlower drone main disassembling.....	3
2	Bottom Body Hammock Complex.....	4
3	Fuselage Hammock Complex.....	5
4	Powertrain.....	6

Preliminary requirements

Required conditions

Table 1 Required conditions

Title	Data module/Technical publication
None	

Support equipment

Table 2 Support equipment

Name	Identification No	Qty	Remarks
Work stand	WS-15876SFD-001-13	1	
Turn-screw	TS-14759BSK-TLST-005-15	1	
Set of Allen wrenches	SAW-17890BSK-TLST-001-13	1	

Consumables, materials and expendables

Table 3 Consumables, materials and expendables

Name	Identification No	Qty	Remarks
None			

Applicable to: All

SUNFLOWER-A-20-00-10-01A-920A-A

Spares

Table 4 Spares

Name	Identification No	Qty	Remarks
None			

Safety conditions

WARNING

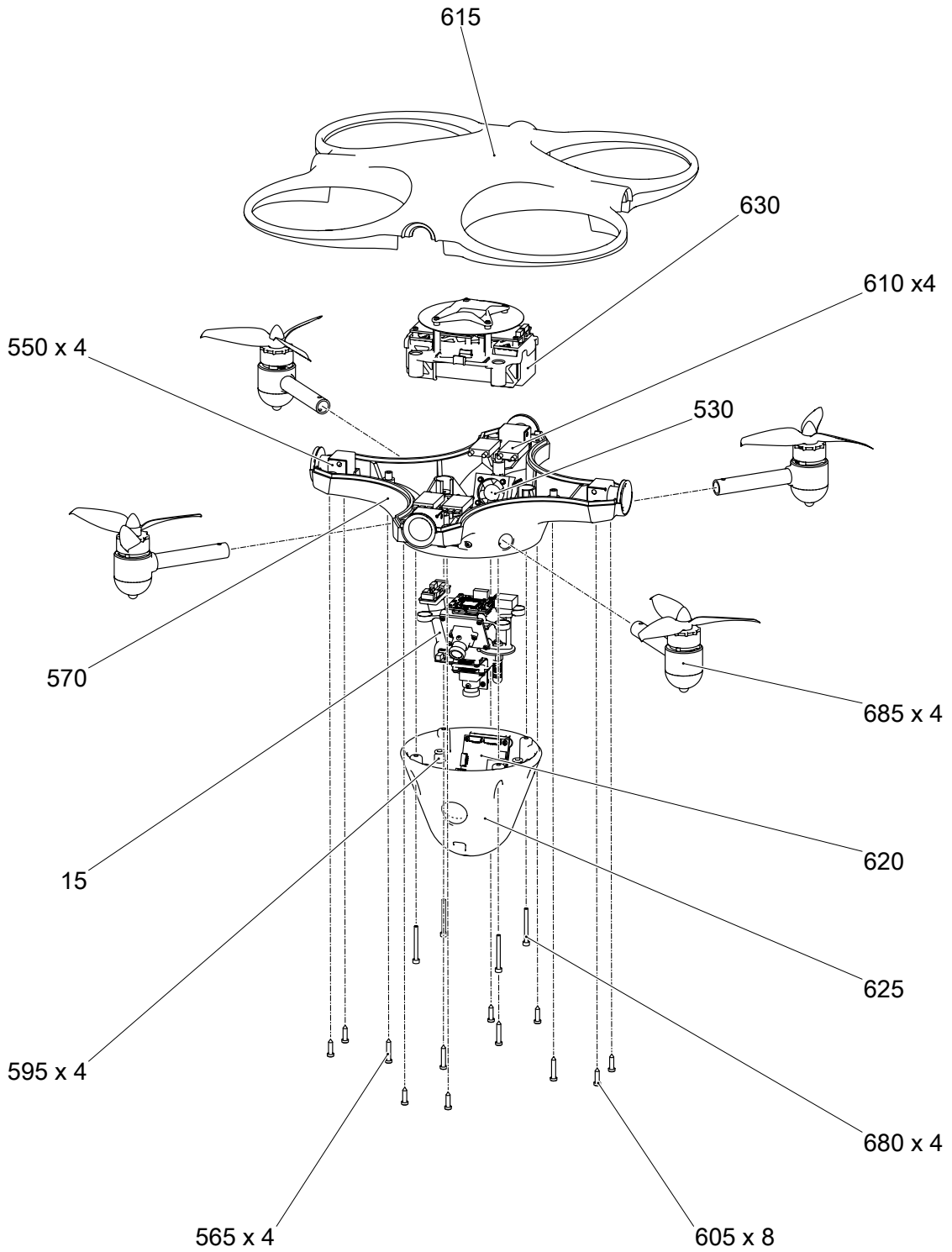
If any damages have been discovered, please immediately stop using it, until it was completely repaired. Please keep a safe distance from the spinning propellers to avoid injury.

CAUTION

Transformers used with the dron are to be regularly examined for damage to the cord, plug, enclosure and other parts, and that, in the event of such damage, the drones must be used with this transformer until the damage has been repaired.

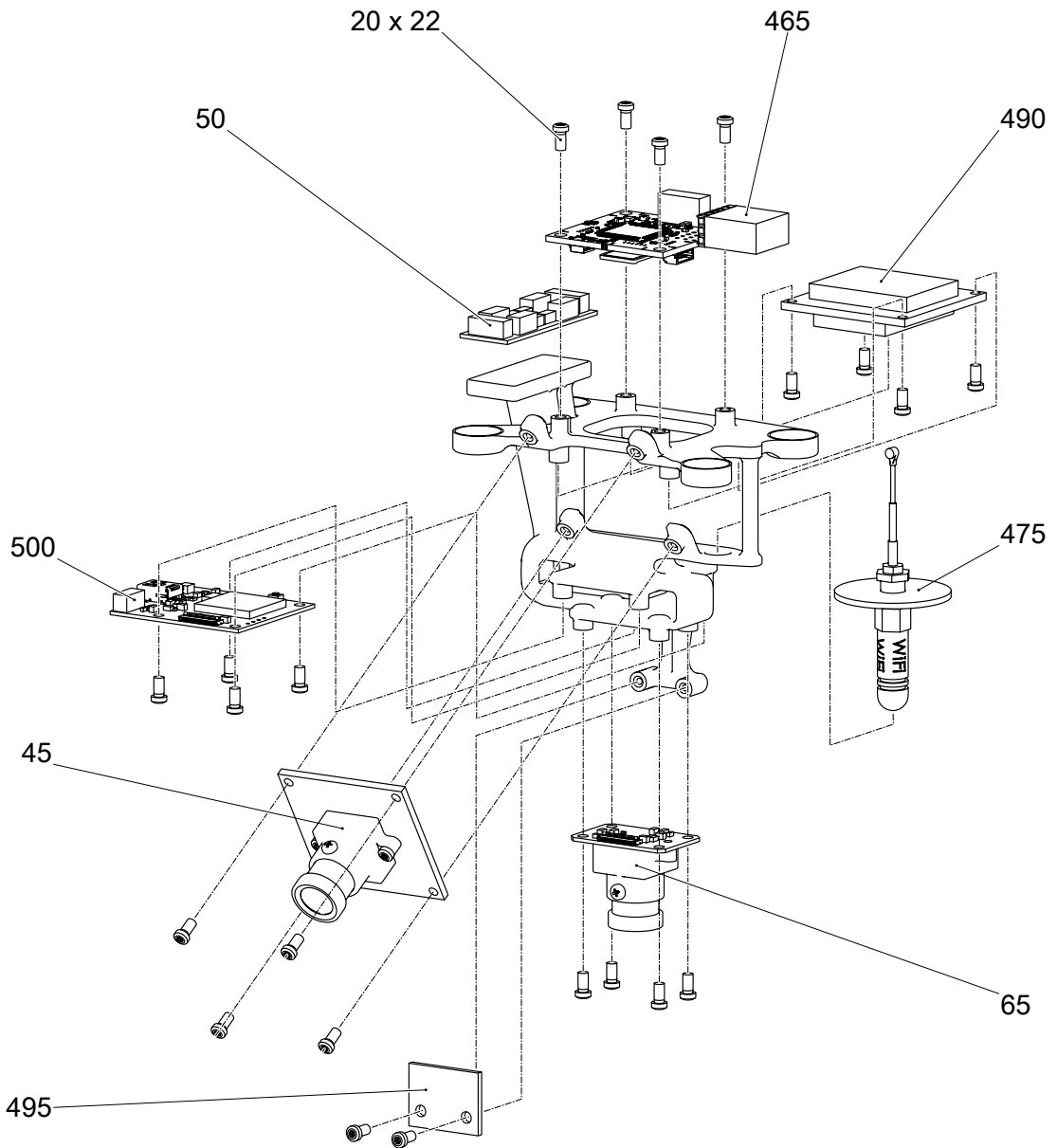
Procedure

- 1 Remove the fuselage bolts (565, 605). Remove the Top Hull (615).
- 2 Remove the Bottom Body bolts (680). Detach the Bottom Body (625).
- 3 Remove the Bottom Body Hammock Complex (15).
- 4 Remove the Bee I2C Block (50). Remove the bolts (20). Remove the Tracking Camera (45) and FCB PixRacer (465). Remove the bolts (20). Remove the Camera (65) and MCU Board (500). Remove the Wi-Fi Antenna (475). Remove the Bee MAG (495).
- 5 Remove the Datalink Module bolts. Remove the Datalink Module (620) and Radiator. Remove the bolts and USB Connector. Remove the Isolators (595).
- 6 Detaching the Power Train (685).
- 7 Remove the Sensors (550). Remove the Speed Controllers (610).
- 8 Detach the the Fuselage Hammock Complex from the fuselage (630).
- 9 Remove the cooler bolts. Remove the Fan Cooler. Remove the Power Switch bolts. Remove the Power Switch.
- 10 Remove the Electro Magnetic Shield bolts (640). Remove the Electro Magnetic Shield (665). Remove the Battery Charging Module (635). Remove the AUAV Power Module (660). Remove the GPS Module (650). Remove the Battery (655).
- 11 Detach the Propeller Cap (735). Remove the Propeller (730). Remove the Pin (740). Remove the motor Cap (695). Remove the Motor bolts (700). Remove the Motor (725).



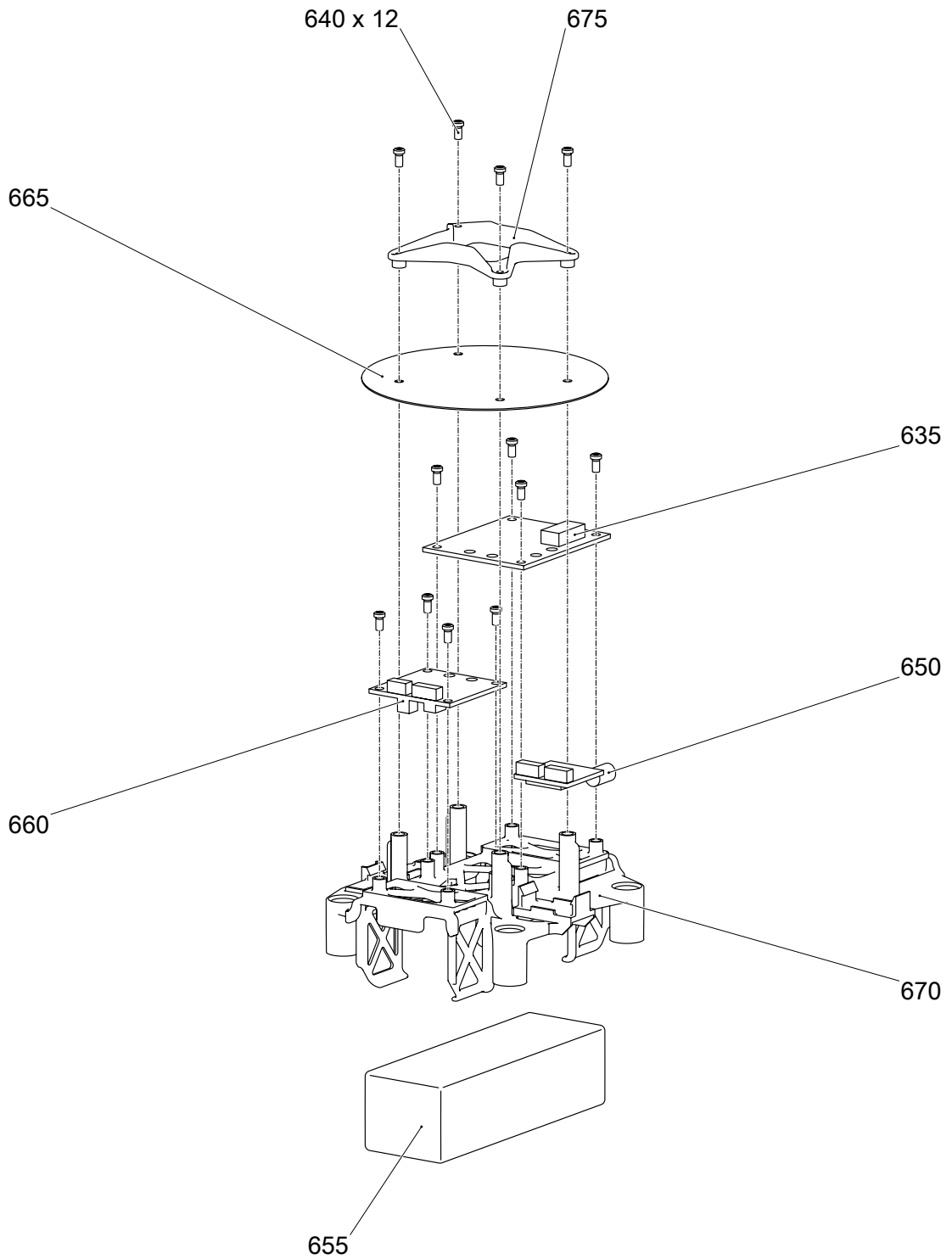
IMG_01

Figure 1 SunFlower drone main disassembling



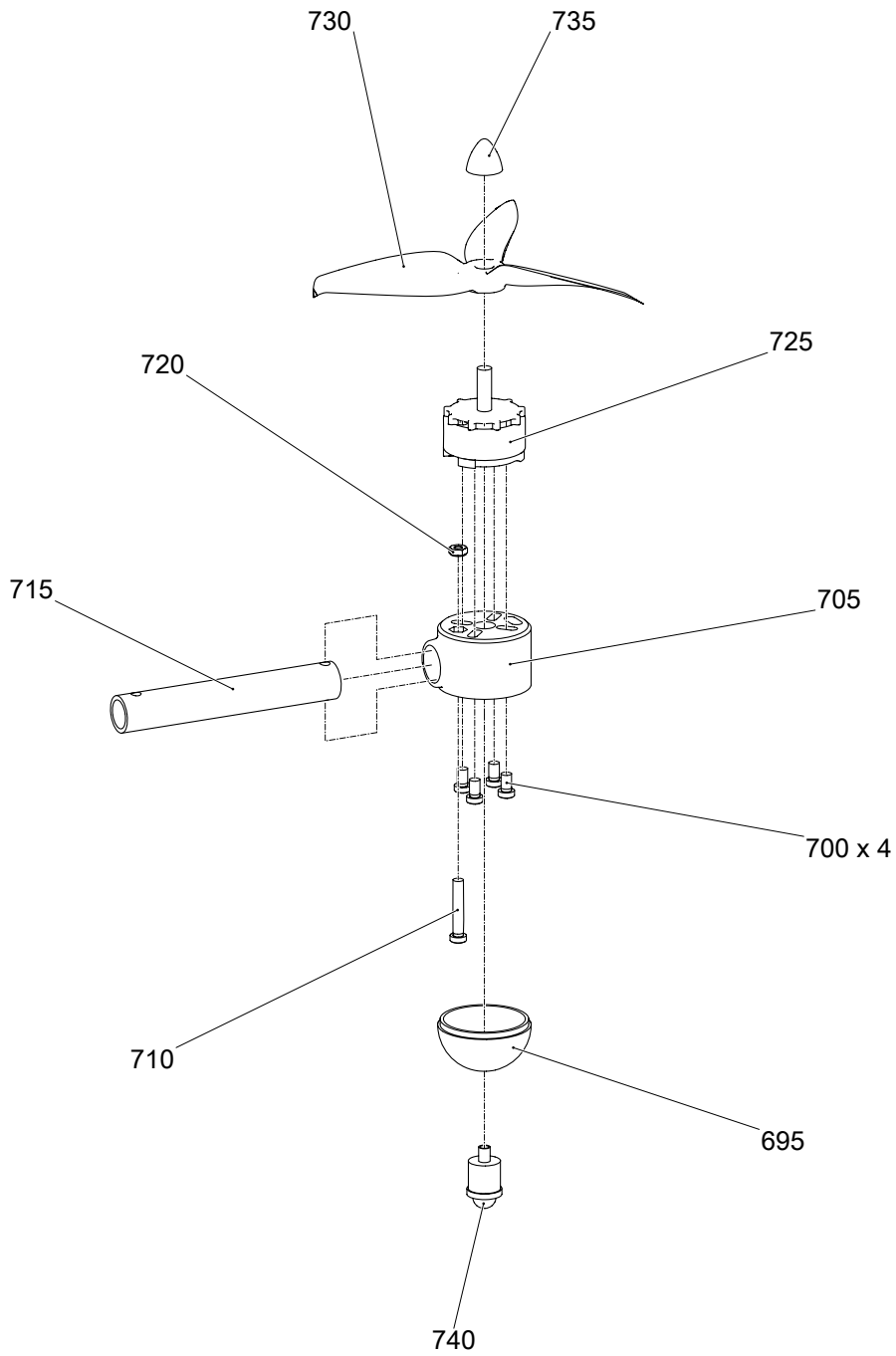
IMG_02

Figure 2 Bottom Body Hammock Complex



IMG_03

Figure 3 Fuselage Hammock Complex



IMG_04

Figure 4 Powertrain

Requirements after job completion

Required conditions

Table 5 Required conditions

Title	Data module/Technical publication
None	
