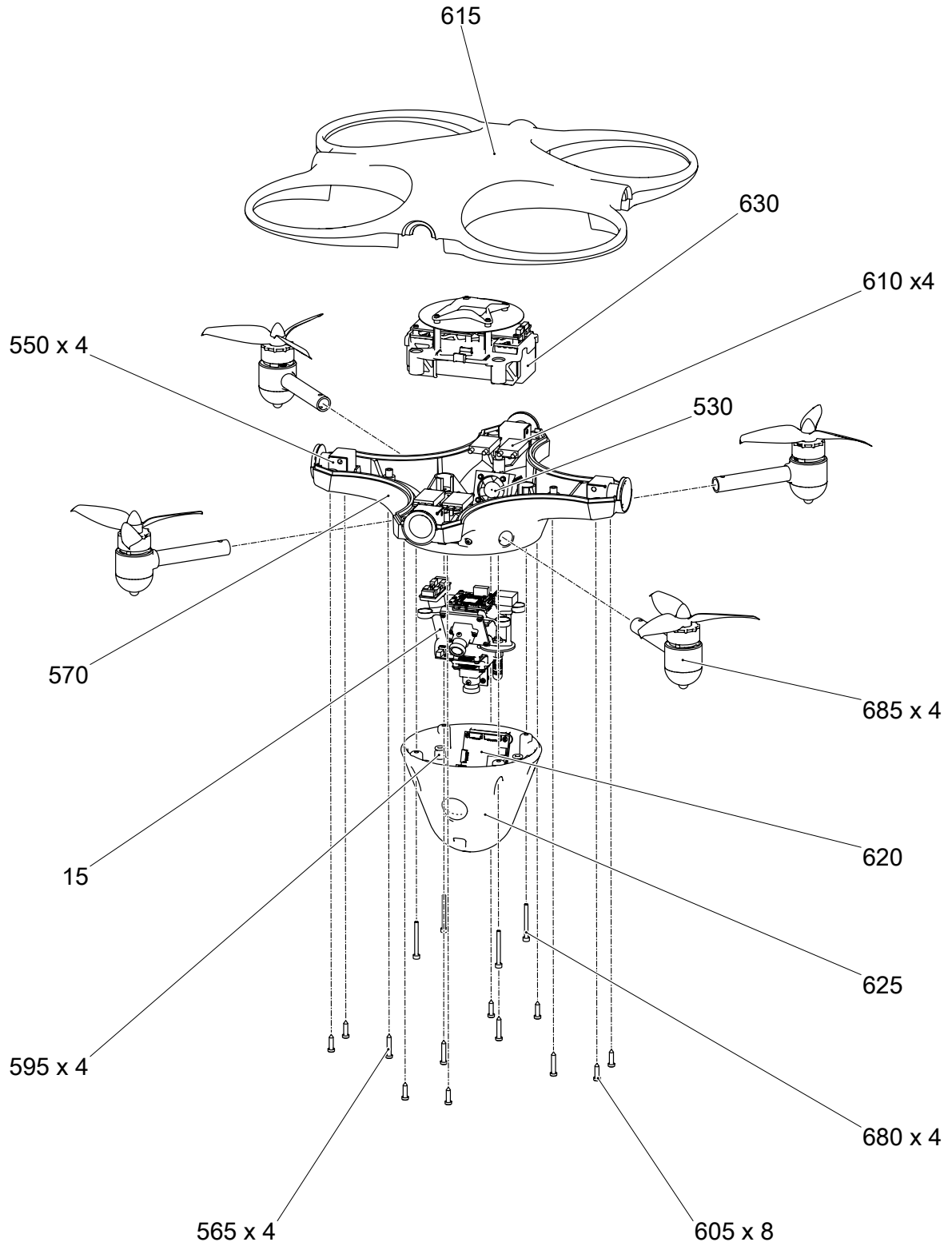


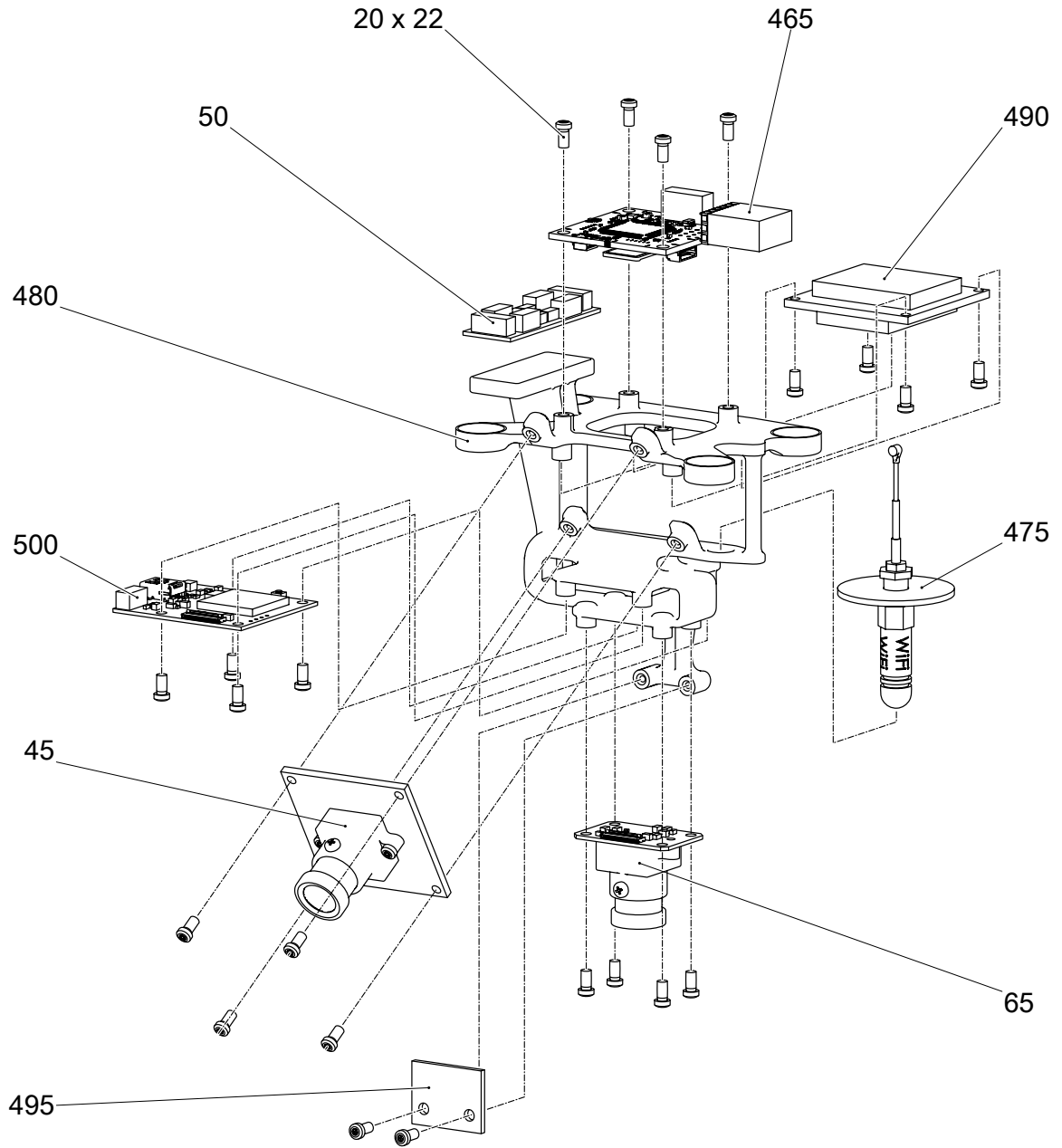
SunFlower (rev. E) Drone Parts Catalog

SunFlower (rev. E) Drone Parts Catalog



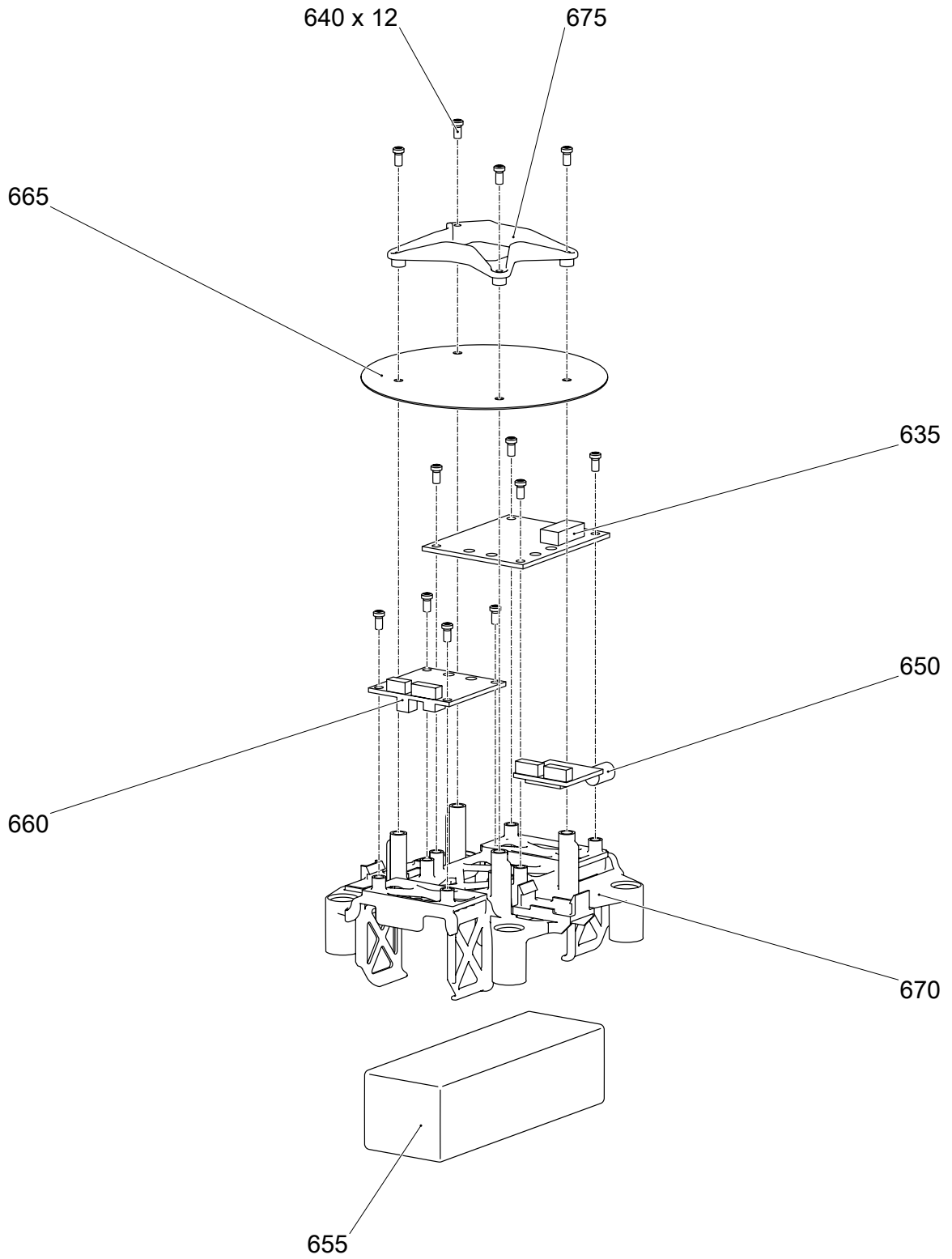
IMG_01

SunFlower (rev. E) Drone Parts Catalog



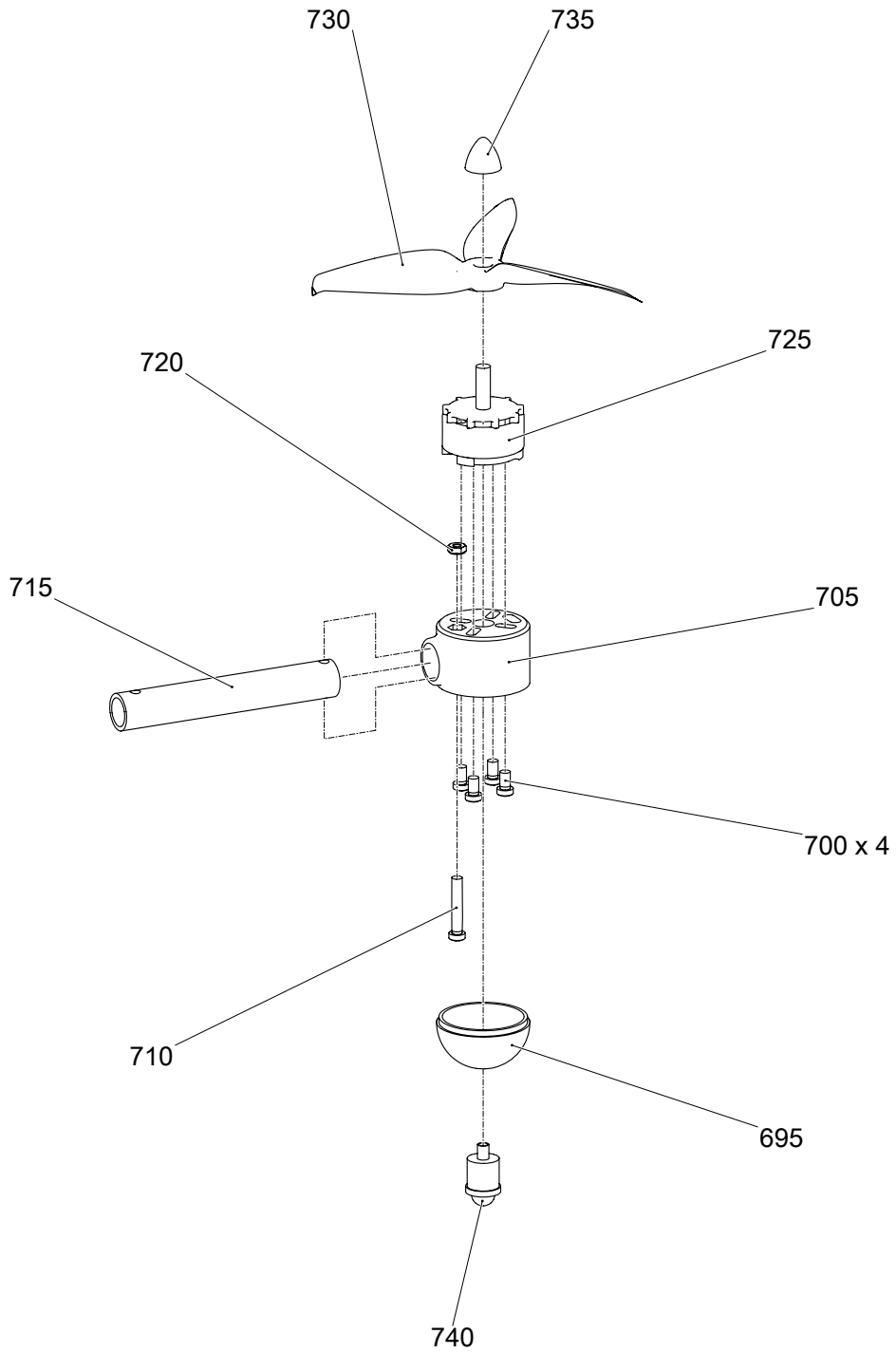
IMG_02

SunFlower (rev. E) Drone Parts Catalog



IMG_03

SunFlower (rev. E) Drone Parts Catalog



IMG_04

SunFlower (rev. E) Drone Parts Catalog

ITEM	DESCRIPTION	PART NO.	QTY	INFO
10	SunFlower_10397	DRONE.100.10005781	1	
15	•Hammock Complex	DRONE.100.10005812	1	
20	••hexalobular socket pan head_ISO 14583-M2x5x4.5-4.8- N	DRONE.100.10005819	24	
45	•••M12_lens_holder_D_faut_1	DRONE.100.10005822	1	
50	••Bee_I2C_1	DRONE.100.10005771	1	
65	•••M12_lens_holder_D_faut_1	DRONE.100.10005822	1	
465	••DRONE_RevB_FCB_PixRacer_Stan dard_1	DRONE.100.10005834	1	
475	••Hive_Antenna_WiFi	DRONE.100.10005835	1	
480	••Hammock	DRONE.100.10005817	1	
490	•••Camera_FR_Board_2_1	DRONE.100.10005744	1	
495	••Bee_MAG_1	DRONE.100.10005806	1	
500	••Tracking_Camera_MCU_Board(Pr oduction)_1	DRONE.100.10005808	1	
530	••40x40x10 fan cooler 5v sunon	DRONE.100.10005788	1	
550	••Sensor_box276649	DRONE.100.10005854	4	
565	••hex tapping screws_Tapping Screw ISO 14585-ST2.9x19-C-N	DRONE.100.10005750	4	
570	••10463	DRONE.100.10005824	1	
595	••Bee Isolator	DRONE.100.10005840	4	
605	••hex tapping screws_Tapping Screw ISO 14585-ST2.9x13-C-N	DRONE.100.10005763	8	
610	••Speed_Controller	DRONE.100.10005855	4	
615	••TopHull_2	DRONE.100.10005804	1	
620	••Picoradio_2-4	DRONE.100.10005836	1	
625	••10464	DRONE.100.10005809	1	
630	•NC	DRONE.100.10005856	1	
635	••Charging_Board	DRONE.100.10005789	1	

SunFlower (rev. E) Drone Parts Catalog

ITEM	DESCRIPTION	PART NO.	QTY	INFO
640	••hexalobular socket pan head_ISO 14583-M2x5x4.5-4.8-N	DRONE.100.10005819	12	
650	••GPS_RX	DRONE.100.10005815	1	
655	••Battery	DRONE.100.10005811	1	
660	••DRONE_RevC_AUAV Power Module_Standard	DRONE.100.10005760	1	
665	••DRONE_electro_magnetic_shield_Standard	DRONE.100.10005849	1	
670	••NC699158	DRONE.100.10005829	1	
675	••GPS_bracket	DRONE.100.10005797	1	
680	•socket head cap screw_ISO 4762 M3x30-18N	DRONE.100.10005795	4	
685	•Drone_RevE_Master	DRONE.100.10005758	1	
690	••DRONE_RevE_Powertrain	DRONE.100.10005814	4	
695	•••DRONE_RevB_motor_cap_Standard	DRONE.100.10005830	1	
700	•••hexalobular socket pan head_ISO 14583-M3x6x5-4.8-N	DRONE.100.10005787	4	
705	•••DRONE_RevB_motor_holder_V2.0_Langl_cher	DRONE.100.10005796	1	
710	•••hexalobular socket pan head_ISO 14583-M3x20x19-4.8-N	DRONE.100.10005766	1	
715	•••DRONE_RevE_arm_13x1.5 Alurohr	DRONE.100.10005791	1	
720	•••hex nut style 1 gradeab_ISO-4032-M3-W-N	DRONE.100.10005803	1	
725	•••DRONE_RevB_RS2205_motor_Standard	DRONE.100.10005784	1	
730	•••GEMFAN_D, faut	DRONE.100.10005755	1	
735	•••DRONE_RevB_propeller_cap_Standard	DRONE.100.10005838	1	

SunFlower (rev. E) Drone Parts Catalog

ITEM	DESCRIPTION	PART NO.	QTY	INFO
740	•••Drone_RevE_Pin	DRONE.100.10005825	1	