

---

## SunFlower Drone (rev. E) Parts Catalog

### *Illustrated Parts Data*

#### Table of contents

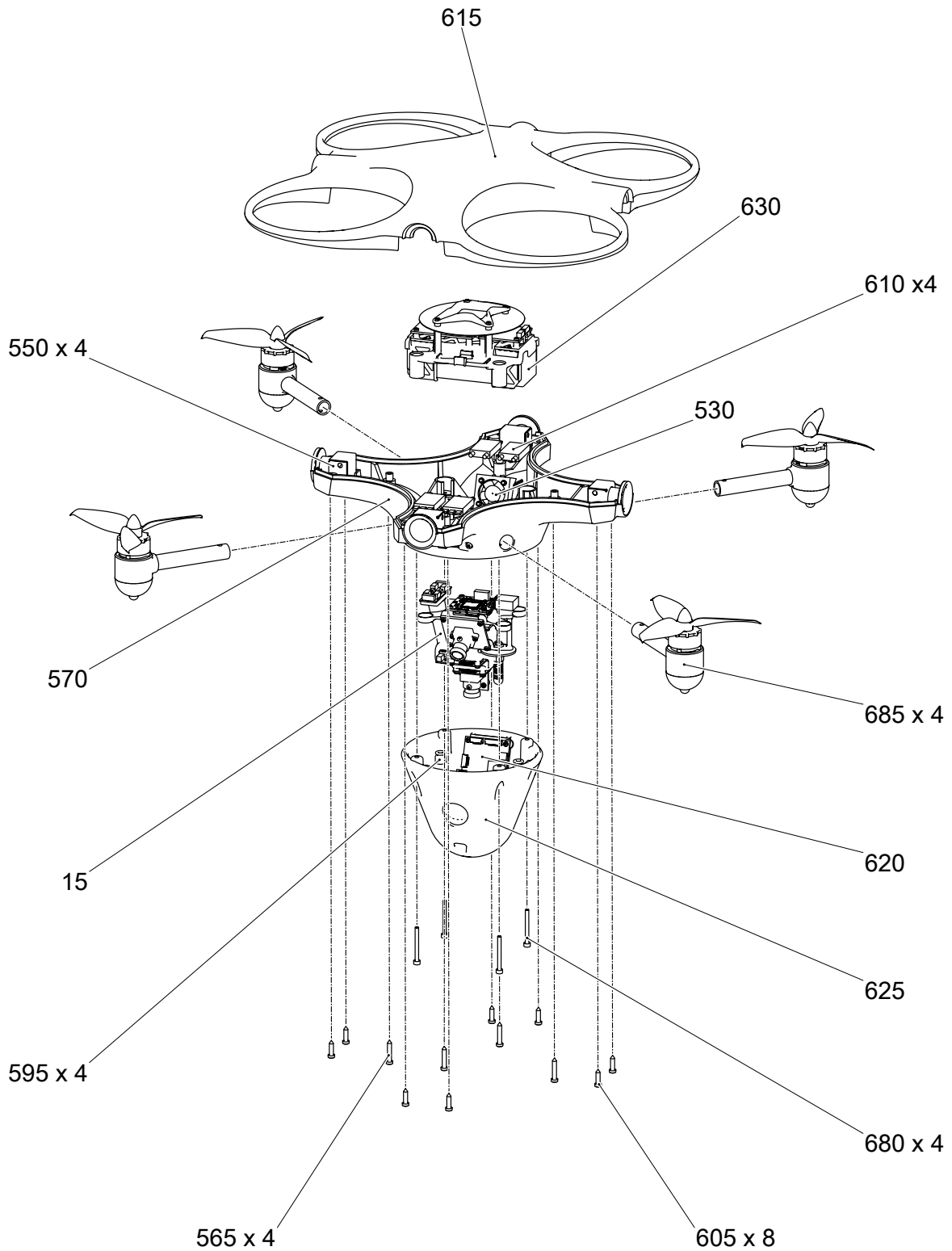
Page

Illustrated Parts Data..... 1

#### List of figures

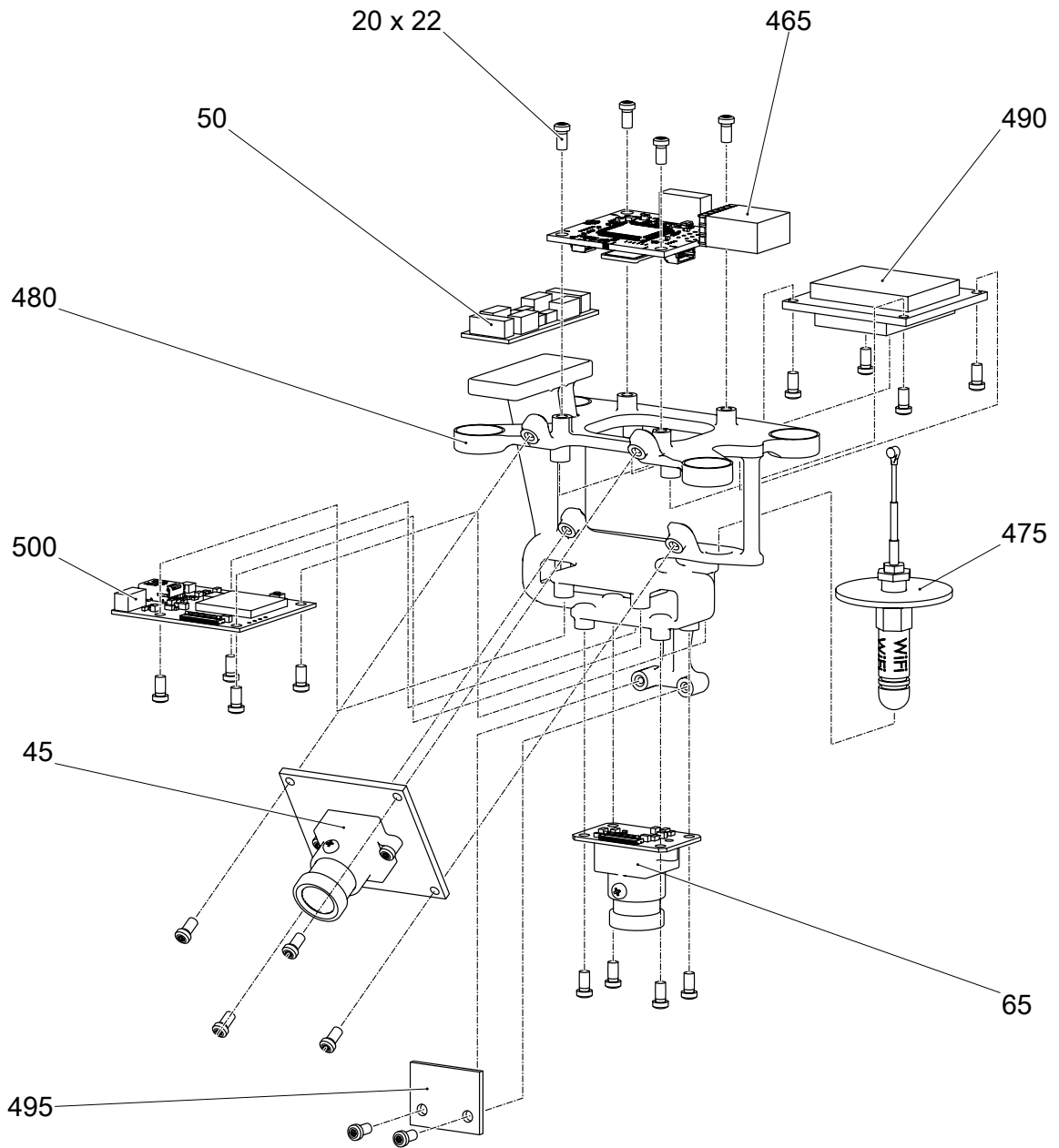
1 SunFlower Drone (rev. E) Parts Catalog (Sheet 1 of 5)..... 2  
1 SunFlower Drone (rev. E) Parts Catalog (Sheet 2 of 5)..... 3  
1 SunFlower Drone (rev. E) Parts Catalog (Sheet 3 of 5)..... 4  
1 SunFlower Drone (rev. E) Parts Catalog (Sheet 4 of 5)..... 5  
1 SunFlower Drone (rev. E) Parts Catalog (Sheet 5 of 5)..... 6

*Figure 1 SunFlower Drone (rev. E) Parts Catalog (Sheet 1 of 5)*



IMG\_01

Figure 1 SunFlower Drone (rev. E) Parts Catalog (Sheet 2 of 5)



IMG\_02

Figure 1 SunFlower Drone (rev. E) Parts Catalog (Sheet 3 of 5)

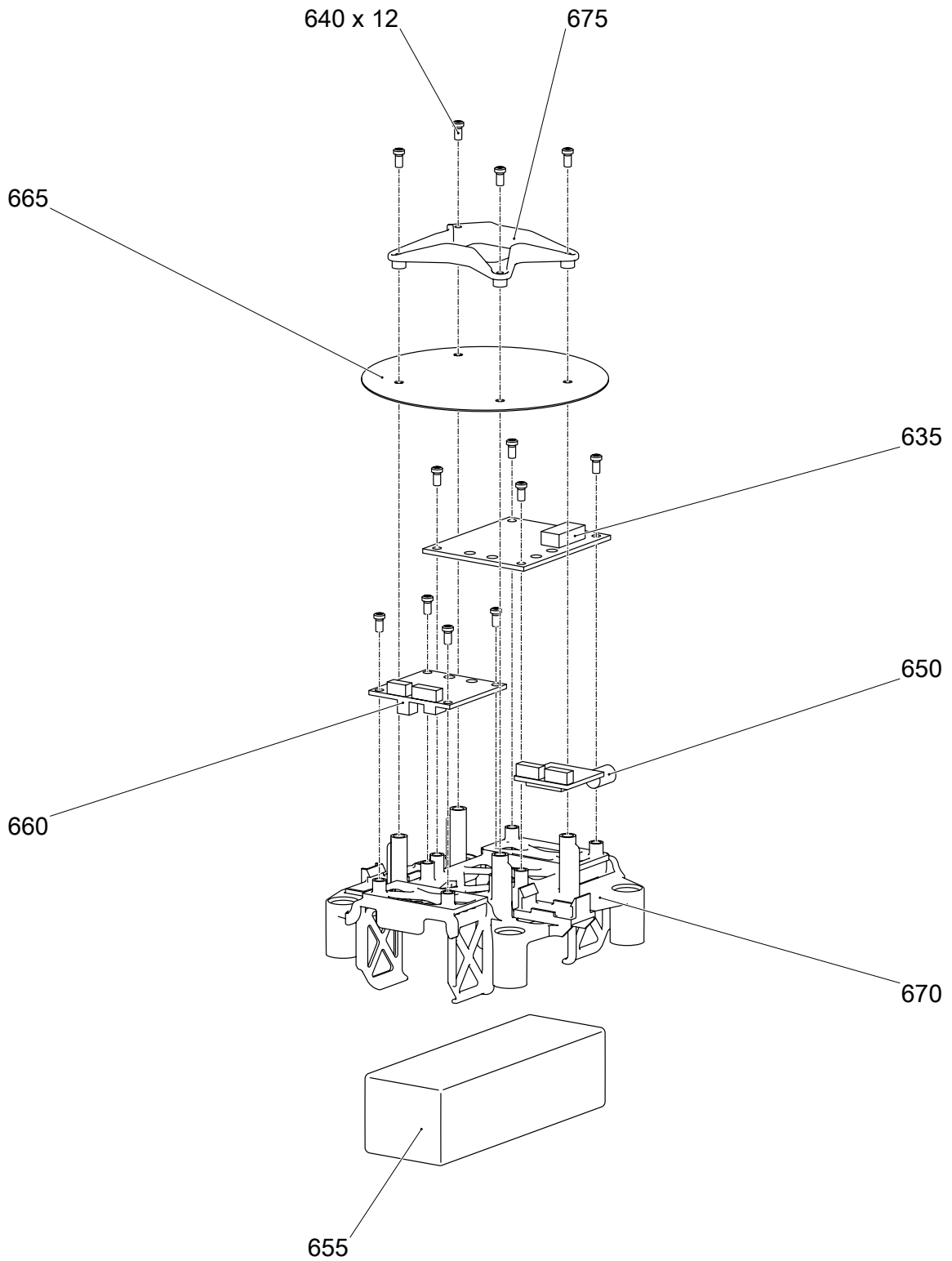
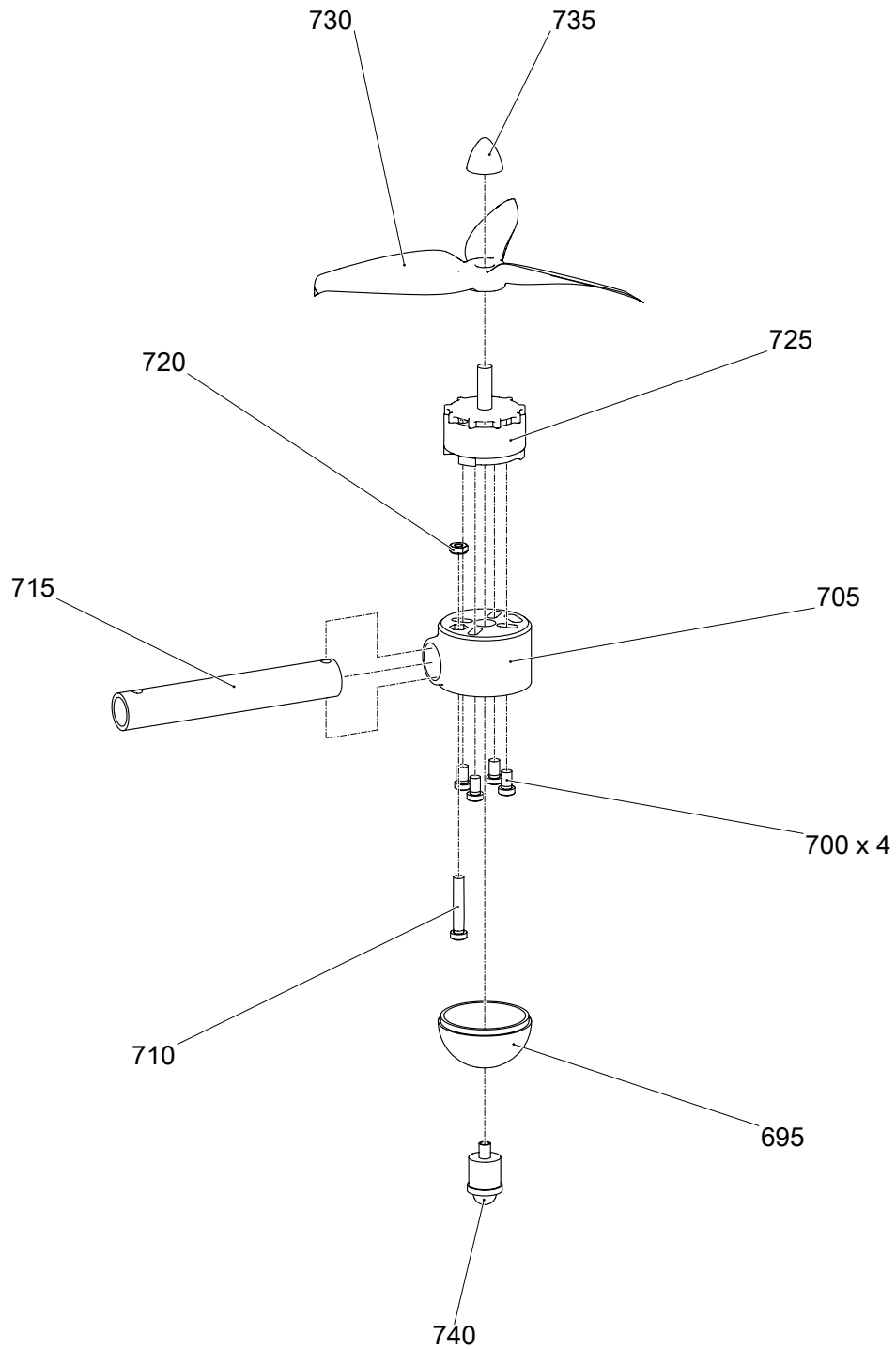


Figure 1 SunFlower Drone (rev. E) Parts Catalog (Sheet 4 of 5)

IMG\_03



IMG\_04

Figure 1 SunFlower Drone (rev. E) Parts Catalog (Sheet 5 of 5)

**UNCLASSIFIED**

Fig	Item	Units per assembly/ Unit of issue	CAGE	Part No. NATO stock No.	Description	*Usable on code assy •MV/Effect	ICY
01A							
-	10	1		DRONE.100.10005781	SunFlower_10397		
	15	1		DRONE.100.10005812	•Hammock Complex		
	20	24		DRONE.100.10005819	•hexalobular socket pan head_ISO 14583-M2x5x4.5-4.8- N		
	45	1		DRONE.100.10005822	••M12_lens_holder_D_faut_1		
	50	1		DRONE.100.10005771	••Bee_I2C_1		
	60	1		DRONE.100.10005772	••pixy_lens_D_faut_1		
	65	1		DRONE.100.10005822	••M12_lens_holder_D_faut_1		
	465	1		DRONE.100.10005834	••DRONE_RevB_FCB_PixRacer_Stand ard_1		
	475	1		DRONE.100.10005835	••Hive_Antenna_WiFi		
	480	1		DRONE.100.10005817	••Hammock		
	490	1		DRONE.100.10005744	••Camera_FR_Board_2_1		
	495	1		DRONE.100.10005806	••Bee_MAG_1		
	500	1		DRONE.100.10005808	••Tracking_Camera_MCU_Board(Pro duction)_1		
	530	1		DRONE.100.10005788	••40x40x10 fan cooler 5v sunon		
	550	4		DRONE.100.10005854	••Sensor_box276649		
	565	4		DRONE.100.10005750	••hex tapping screws_Tapping Screw ISO 14585-ST2.9x19-C-N		
	570	1		DRONE.100.10005824	••10463		
	595	4		DRONE.100.10005840	••Bee Isolator		
	605	8		DRONE.100.10005763	••hex tapping screws_Tapping Screw ISO 14585-ST2.9x13-C-N		
	610	4		DRONE.100.10005855	••Speed_Controller		
	615	1		DRONE.100.10005804	••TopHull_2		
	620	1		DRONE.100.10005836	••Picoradio_2-4		
	625	1		DRONE.100.10005809	••10464		
	630	1		DRONE.100.10005856	•NC		
	635	1		DRONE.100.10005789	••Charging_Board		
	640	12		DRONE.100.10005819	••hexalobular socket pan head_ISO 14583-M2x5x4.5-4.8- N		
	650	1		DRONE.100.10005815	••GPS_RX		

Applicable to: All

**SUNFLOWER-A-20-00-10-01A-941A-A**

**UNCLASSIFIED**

Fig	Item	Units per assembly/ Unit of issue	CAGE	Part No. NATO stock No.	Description	*Usable on code assy •MV/Effect	ICY
	655	1		DRONE.100.10005811	••Battery		
	660	1		DRONE.100.10005760	••DRONE_RevC_AUAV Power Module_Standard		
	665	1		DRONE.100.10005849	••DRONE_electro_magnetic_shield_Standard		
	670	1		DRONE.100.10005829	••NC699158		
	675	1		DRONE.100.10005797	••GPS_bracket		
	680	4		DRONE.100.10005795	•socket head cap screw_ISO 4762 M3x30-18N		
	685	1		DRONE.100.10005758	•Drone_RevE_Master		
	690	4		DRONE.100.10005814	••DRONE_RevE_Powertrain		
	695	1		DRONE.100.10005830	•••DRONE_RevB_motor_cap_Standard		
	700	4		DRONE.100.10005787	•••hexalobular socket pan head_ISO 14583-M3x6x5-4.8-N		
	705	1		DRONE.100.10005796	•••DRONE_RevB_motor_holder_V2.0_Langl_cher		
	710	1		DRONE.100.10005766	•••hexalobular socket pan head_ISO 14583-M3x20x19-4.8-N		
	715	1		DRONE.100.10005791	•••DRONE_RevE_arm_13x1.5 Alurohr		
	720	1		DRONE.100.10005803	•••hex nut style 1 gradeab_ISO-4032-M3-W-N		
	725	1		DRONE.100.10005784	•••DRONE_RevB_RS2205_motor_Standard		
	730	1		DRONE.100.10005755	•••GEMFAN_D, faut		
	735	1		DRONE.100.10005838	•••DRONE_RevB_propeller_cap_Standard		
	740	1		DRONE.100.10005825	•••Drone_RevE_Pin		

Applicable to: All

**SUNFLOWER-A-20-00-10-01A-941A-A**

**End of data module**

**UNCLASSIFIED**

**2018-10-08 Page 8**