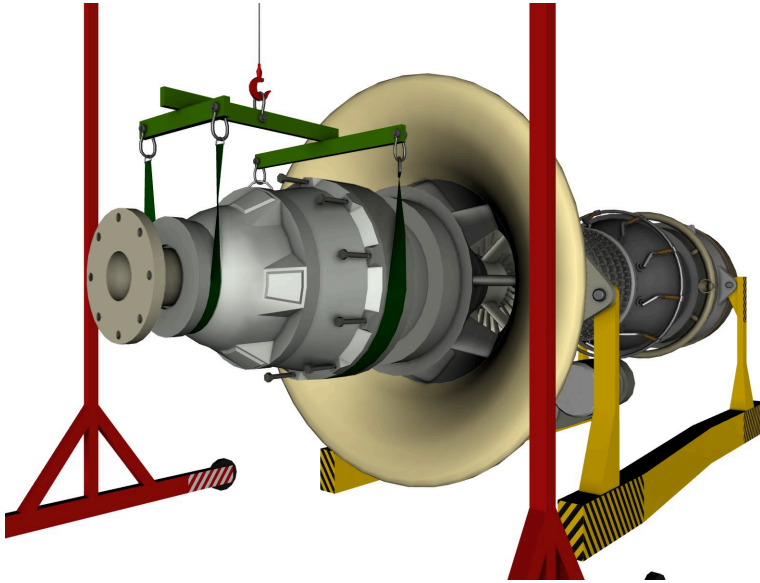


# TURBINE C3D-MANUAL-DEMO-01 DISASSEMBLY

---

## 1. REDUCTOR COVER REMOVAL.

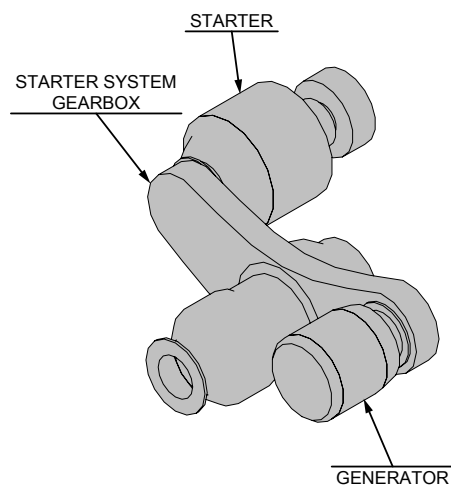
- a) REMOVE UPPER COVER RC-001.
- b) REMOVE LOWER COVER RC-002.
- c) REMOVE 10 NUTS (NUT KOR-10).



- d) DETACH REDUCTOR MODULE M-001.

## 2. TURBINE SYSTEMS DISASSEMBLY.

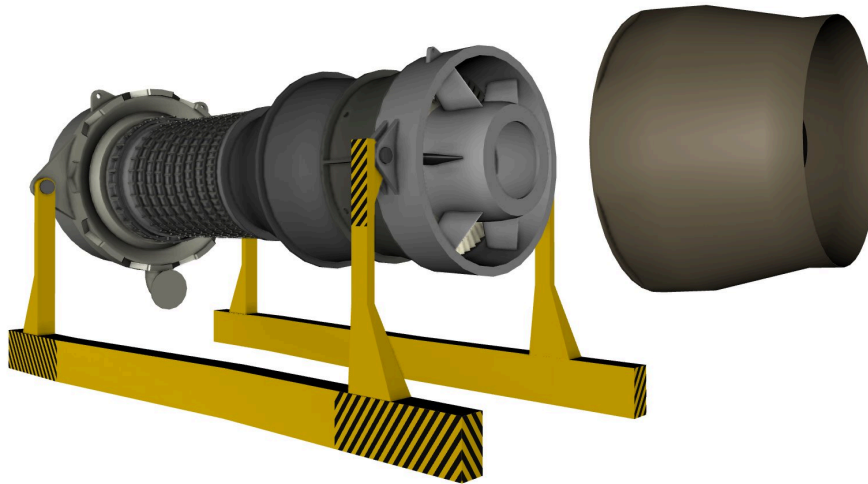
- a) DETACH STARTER M-007.



- b) DETACH FUEL PIPELINE M-004-004 AND FUEL NOZZELS M-004-005.
- c) DETACH COOLING SYSTEM PIPELINE T-001.

**3. INLET/OUTLET NOZZLES DISASSEMBLY.**

- a) REMOVE FRONT PART OF INLET NOZZLE IN-001.
- b) REMOVE REAR PART OF INLET NOZZLE IN-002.
- c) REMOVE OUTLET NOZZLE MODULE M-006.

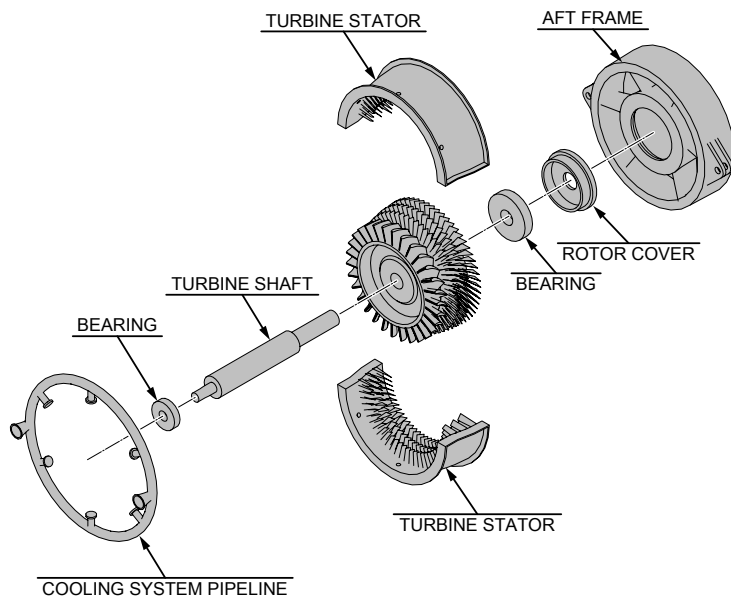


**4. FORWARD SUMP DISASSEMBLY.**

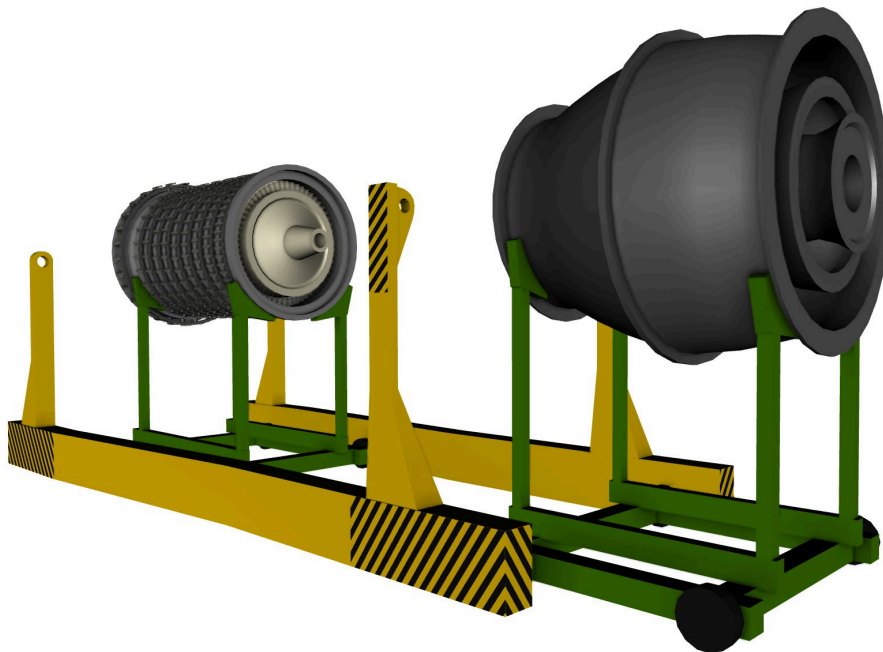
- a) PLACE WAY UNDER COMPRESSOR.
- b) PLACE WAY UNDER COMBUSTION CHAMBER.
- c) DETACH FORWARD SUMP M-002.



5. TURBINE MODULE DISASSEMBLY.
  - a) PLACE WAY UNDER TURBINE.
  - b) DETACH AFT FRAME M-005-003.
  - c) **DETACH LOW PRESSURE TURBINE (LPT).**



- d) REMOVE LPT UPPER CASE.
  - e) REMOVE LPT ROTOR M-005-001.
6. COMBUSTION CHAMBER DISASSEMBLY.
  - a) **DETACH COMBUSTION CHAMBER M-004.**



7. COMPRESSOR MODULE DISASSEMBLY.

- a) DISASSEMBLE STATOR BLADES CONTROL SYSTEM.
- b) REMOVE COMPRESSOR UPPER CASE M-003-002 WITH BLADES.
- c) REMOVE COMPRESSOR ROTOR M-003-003.

