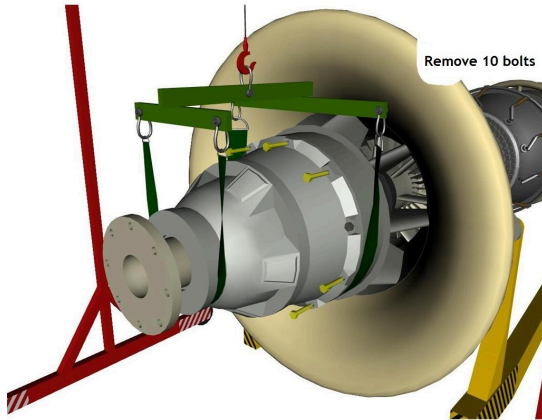


TURBINE C3D-MANUAL-DEMO-01 DISASSEMBLY

1. REDUCTOR COVER REMOVAL.

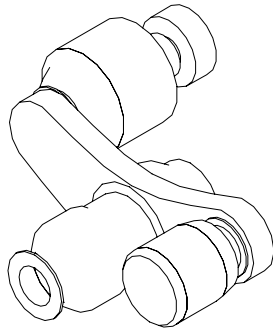
- a) REMOVE UPPER COVER RC-001.
- b) REMOVE LOWER COVER RC-002.
- c) *REMOVE 10 NUTS (NUT KOR-10).*



- d) DETACH REDUCTOR MODULE M-001.

2. TURBINE SYSTEMS DISASSEMBLY.

a) *DETACH STARTER M-007.*



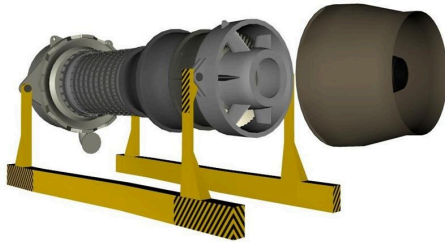
b) DETACH FUEL PIPELINE M-004-004 AND FUEL NOZZELS M-004-005.

c) DETACH COOLING SYSTEM PIPELINE T-001.

3. INLET/OUTLET NOZZLES DISASSEMBLY.

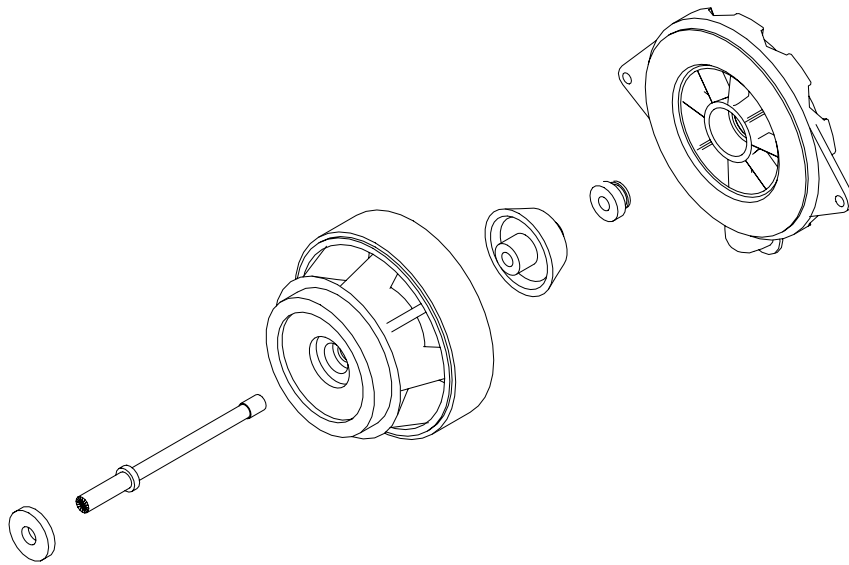
- a) REMOVE FRONT PART OF INLET NOZZLE IN-001.
- b) REMOVE REAR PART OF INLET NOZZLE IN-002.
- c) *REMOVE OUTLET NOZZLE MODULE M-006.*

Remove the outlet nozzle

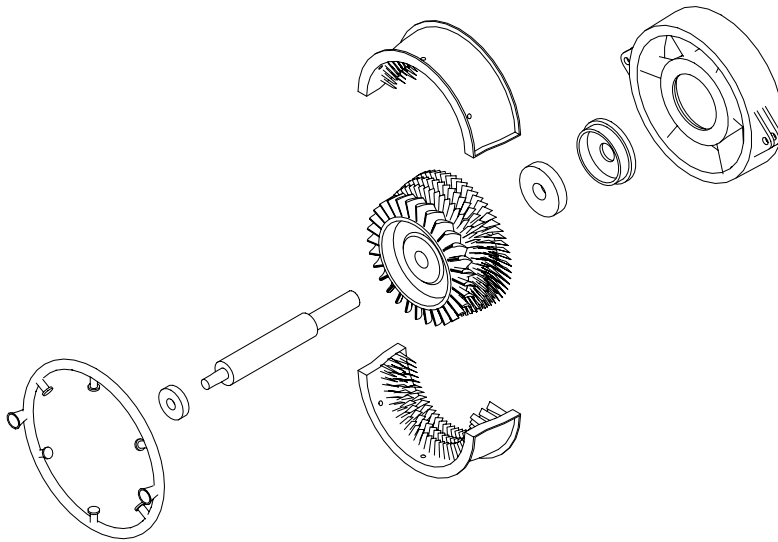


4. FORWARD SUMP DISASSEMBLY.

- a) PLACE WAY UNDER COMPRESSOR.
- b) PLACE WAY UNDER COMBUSTION CHAMBER.
- c) *DETACH FORWARD SUMP M-002.*



5. TURBINE MODULE DISASSEMBLY.
 - a) PLACE WAY UNDER TURBINE.
 - b) DETACH AFT FRAME M-005-003.
 - c) *DETACH LOW PRESSURE TURBINE (LPT).*

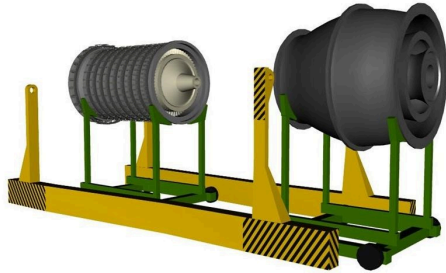


- d) REMOVE LPT UPPER CASE.
- e) REMOVE LPT ROTOR M-005-001.

6. COMBUSTION CHAMBER DISASSEMBLY.

a) *DETACH COMBUSTION CHAMBER M-004.*

Detach combustion chamber



7. COMPRESSOR MODULE DISASSEMBLY.

- a) DISASSEMBLE STATOR BLADES CONTROL SYSTEM.
- b) REMOVE COMPRESSOR UPPER CASE M-003-002 WITH BLADES.
- c) *REMOVE COMPRESSOR ROTOR M-003-003.*

