
TURBINE-S1000D DISASSEMBLY -

Table of contents	Page
Preliminary requirements.....	1
Procedure.....	2
Requirements after job completion.....	11

List of tables	Page
1 Required conditions.....	1
2 Support equipment.....	1
3 Consumables, materials and expendables.....	1
4 Spares.....	2
5 Required conditions.....	11

List of figures	Page
1 Reductor module	3
2 Turbine Systems.....	4
3 Forward sump.....	6
4 LPT.....	8
5 Combustion chamber removal.....	9
6 Compressor rotor removal.....	10

Preliminary requirements

Required conditions

Table 1 Required conditions

Title	Data module/Technical publication
None	

Support equipment

Table 2 Support equipment

Name	Identification No	Qty	Remarks
None			

Consumables, materials and expendables

Table 3 Consumables, materials and expendables

Name	Identification No	Qty	Remarks
None			

Spares

Table 4 Spares

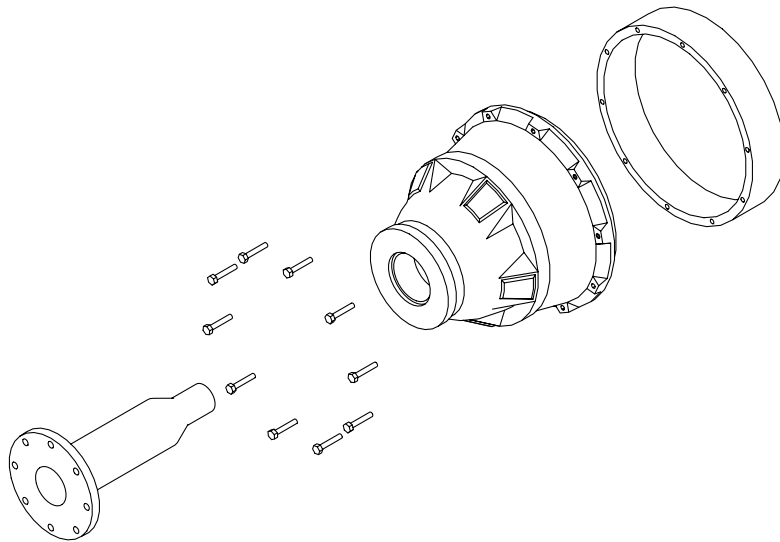
Name	Identification No	Qty	Remarks
None			

Safety conditions

None

Procedure

- 1 REDUCTOR COVER REMOVAL
 - 1.1 REMOVE UPPER COVER RC-001
 - 1.2 REMOVE LOWER COVER RC-002
 - 1.3 REMOVE 10 BOLTS (KOR-10)
 - 1.4 DETACH REDUCTOR MODULE M-001

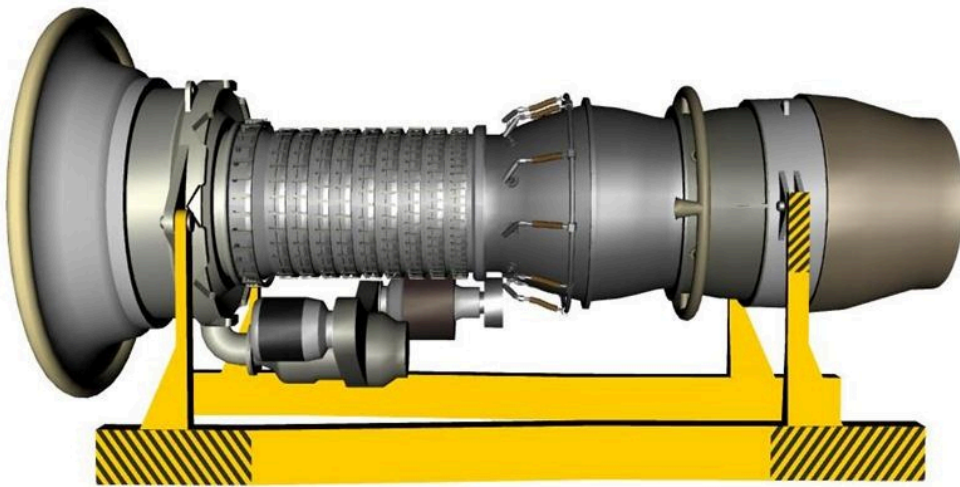


ICN-TURBINE-A-000000-0-00000-00021-A-01-1

Figure 1 Reductor module

2 TURBINE SYSTEMS DISASSEMBLY

Uninstall the fuel system

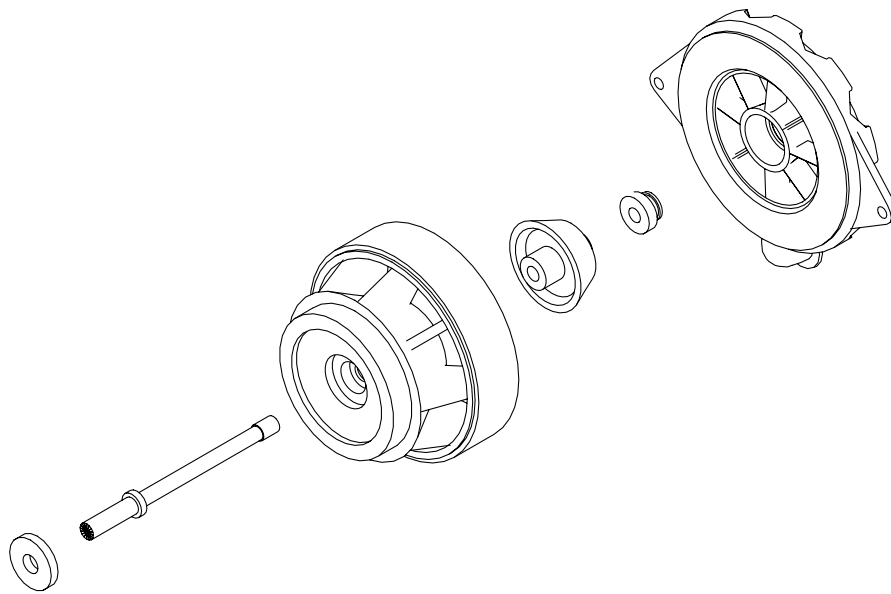


ICN-TURBINE-A-000000-0-00000-00022-A-01-1

Figure 2 Turbine Systems

- 2.1 DETACH STARTER M-007
- 2.2 DISASSEMBLE FUEL PIPELINE M-004-004 AND FUEL NOZZELS M-004-005
- 2.3 DISASSEMBLE COOLING SYSTEM PIPELINE T-001
- 3 INLET/OUTLET NOZZLES DISASSEMBLY
 - 3.1 REMOVE FORWARD PART OF INLET NOZZLE IN-001
 - 3.2 REMOVE AFT PART OF INLET NOZZLE IN-002

-
- 3.3 REMOVE OUTLET NOZZLE MODULE M-006
 - 4 FORWARD SUMP DISASSEMBLY

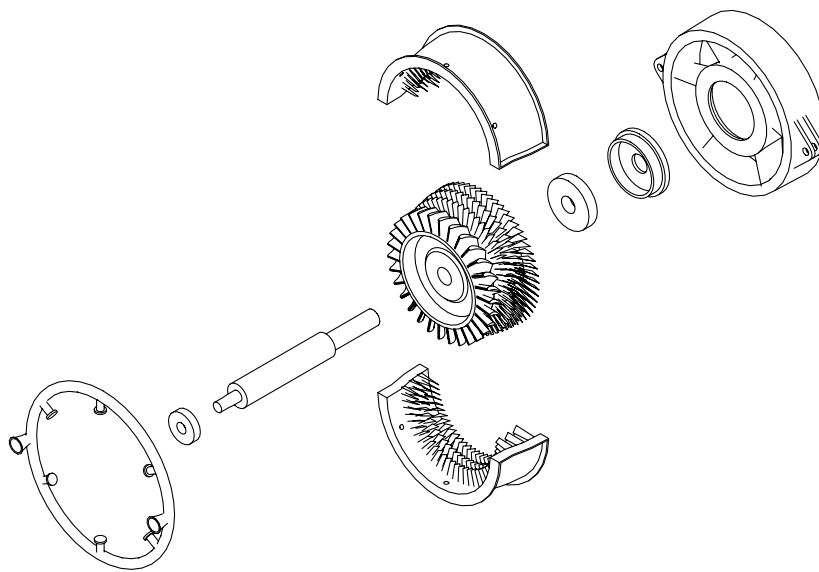


ICN-TURBINE-A-000000-0-00000-00014-A-01-1

Figure 3 Forward sump

4.1 PLACE WAY UNDER COMPRESSOR

- 4.2 PLACE WAY UNDER COMBUSTION CHAMBER
- 4.3 DETACH FORWARD SUMP M-002
- 5 TURBINE MODULE DISASSEMBLY
 - 5.1 PLACE WAY UNDER TURBINE
 - 5.2 DETACH AFT FRAME M-005-003
 - 5.3 DETACH LOW PRESSURE TURBINE (LPT)



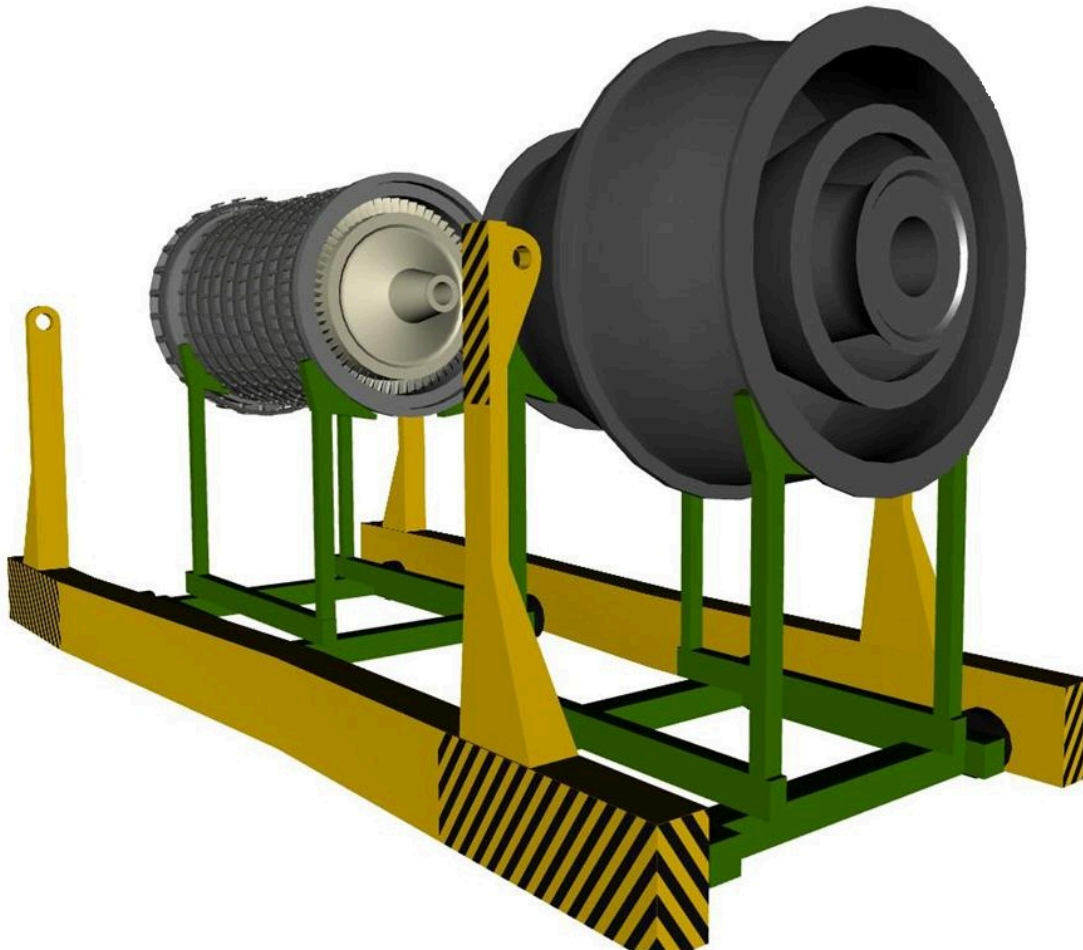
ICN-TURBINE-A-000000-0-00000-00013-A-01-1

Figure 4 LPT

5.4 REMOVE LPT UPPER CASE

-
- 5.5 REMOVE LPT ROTOR M-005-001
 - 6 COMBUSTION CHAMBER DISASSEMBLY

Detach the combustion chamber



ICN-TURBINE-A-000000-0-00000-00023-A-01-1

Figure 5 Combustion chamber removal

- 6.1 DETACH COMBUSTION CHAMBER M-004
- 7 COMPRESSOR MODULE DISASSEMBLY
 - 7.1 DISASSEMBLE STATOR BLADES CONTROL SYSTEM
 - 7.2 REMOVE COMPRESSOR UPPER CASE M-003-002 WITH BLADES

7.3 REMOVE COMPRESSOR ROTOR M-003-003

Remove turbine rotor



ICN-TURBINE-A-000000-0-00000-00024-A-01-1

Figure 6 Compressor rotor removal

Requirements after job completion

Required conditions

Table 5 Required conditions

Title	Data module/Technical publication
None	
