

TURBINE WI DEMO (disassembly)

Summary:	Turbine Disassembly Work Instructions
Work type:	
Role:	General Operative
Exp time:	4 hours 18 minutes
Work cell:	Hangars Nr. 17 - Nr. 29
Pre job:	C3D-WI-TURBINE-DEMO-01
Post job:	C3D-WI-TURBINE-DEMO-03
Work order:	Refer to document SRT-987 Rev. 4
Revision:	1

PREREQUISITES**REQUIRED PARTS**

Part number	Description	Quantity
M-001	Reductor Module	1
KOR-001	Bolt	1
M-002	Forward SUMP	1
M-003-001	Compressor lower case	1
M-003-000-001	1 Stage compressor blades	1
RING_1	Compressor ring 1	1
	Compressor upper case	1
M-003-003	Copressor rotor	1
T_5	T 5 Rotor crane adaptor	1
M-004	Combustion Chamber	1
M-004-005	Fuel Nozzles	1
M-004-004	Fuel Pipeline	
M-005	Low pressure turbine assembly	1
T-001	Coolong System Pipeline	1
M-005-001	Low pressure turbine	1
M-005-005	LPT rotor	1
T_4	T-4	1
M-002-005	LPT Cover	1
M-005-002-002	LPT lower case	1
M-005-000-003	3 Stage LPT blades	1
LPT_case	LPT Upper Case	1
M-005-003	AFT frame	1
M-006	Outlet Nozzle Module	1
STARTER	Starter	1
RC-002	Reductor Cover (lower)	1
RC-001	Reductor Cover (upper)	1
IN-001	Inlet Nozzle Front	1
IN-002	Inlet Nozzle Rear	1

Part number	Description	Quantity
COMPRESSOR_WAY	Compressor module Way	1
WAY	LPT way	1
CC_WAY	Combustion chamber way	1
TURB_WAY	Turbine way	1
SHP_3	Turbine Way Bolt	1
T_1	T-1	1
CRANE_1	Crane 1	1
T_2	T-2	1
T_3	T-3 chain	1

JOB

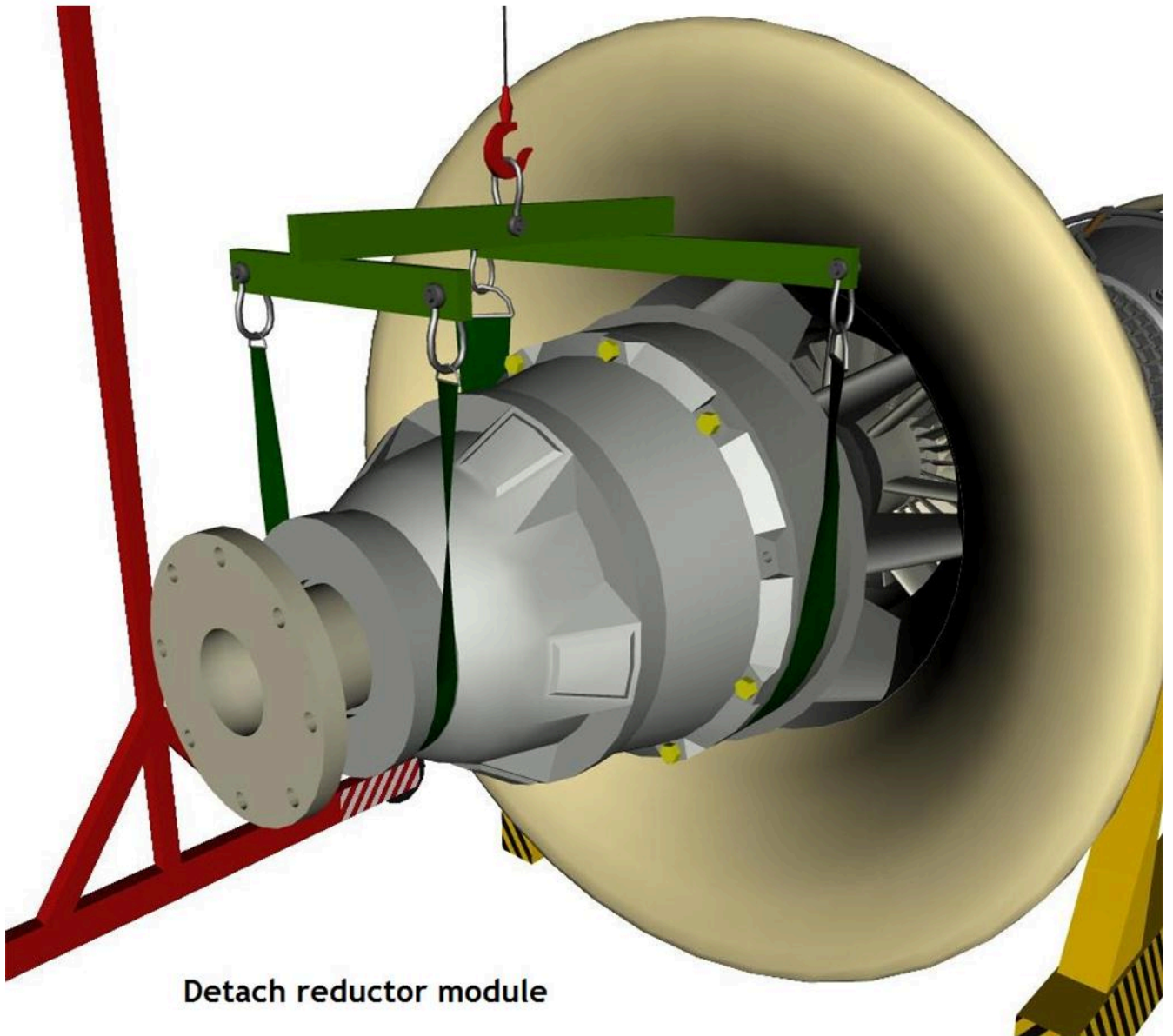
TASK 1

Remove the [Upper Reductor Cover](#).

Remove the [Lower Reductor Cover](#).

Set-up [T-1](#) and the [Crane](#).

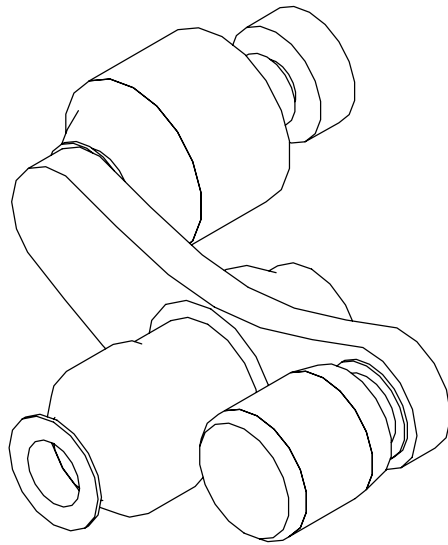
Remove 10 bolts.



Detach the [Reductor Module](#), using the [Crane](#) and [T-1](#).
Push away the [Reductor Module](#).

TASK 2

Remove the **STARTER**.



Remove the [Fuel Pipeline](#) together with preinstalled [Fuel Nozzles](#).

Remove the [Cooling System Pipeline](#).

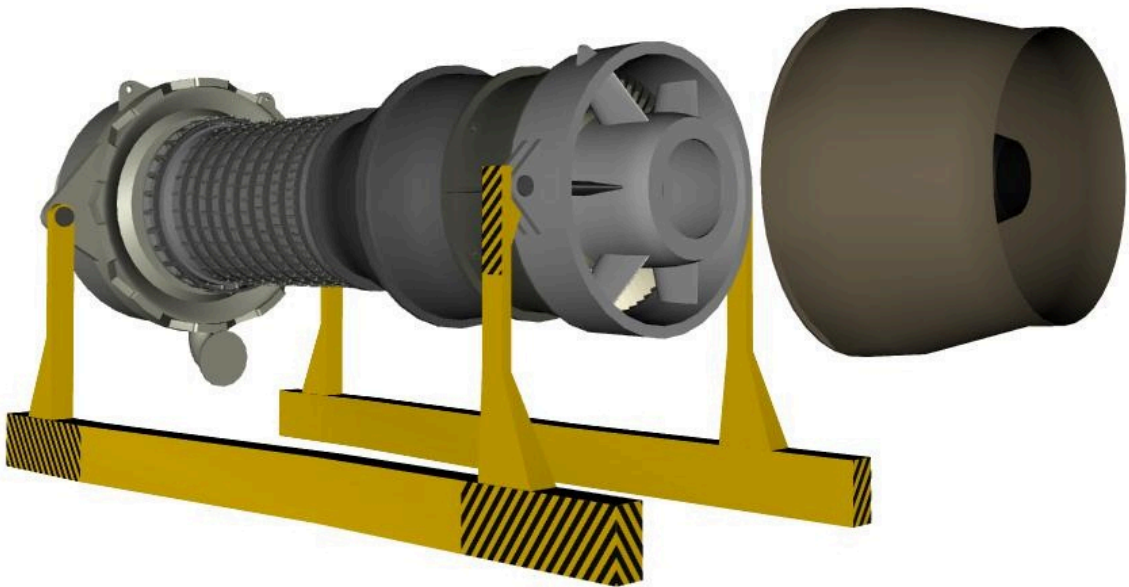
TASK 3

Remove the [Inlet Nozzle Front](#).

Remove the [Inlet Nozzle Rear](#).

Remove the [Outlet Nozzle Module](#).

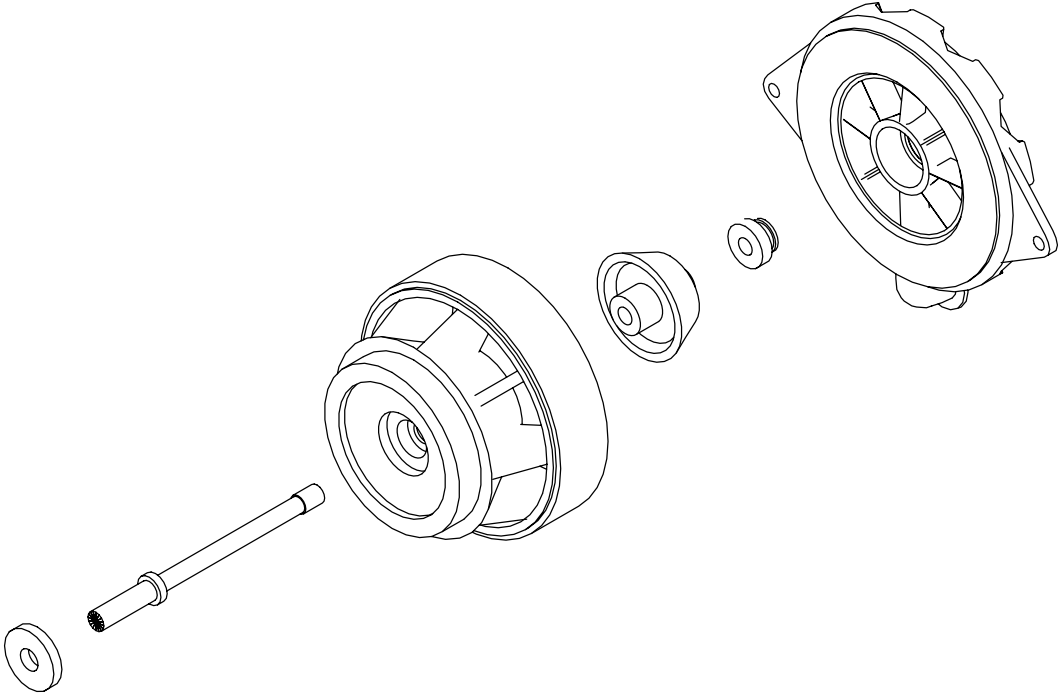
Remove the Outlet Nozzle Module



TASK 4

Bring in the [Compressor Way](#). Bring in the [Combustion Chamber Way](#). Set-up [T-2](#) and the [Crane](#).

Unscrew **Turbine Way Bolts**. Detach the **Forward SUMP** from the turbine assembly.



Push away the [Forward SUMP](#) Assembly, using the [Crane](#) and [T-2](#).

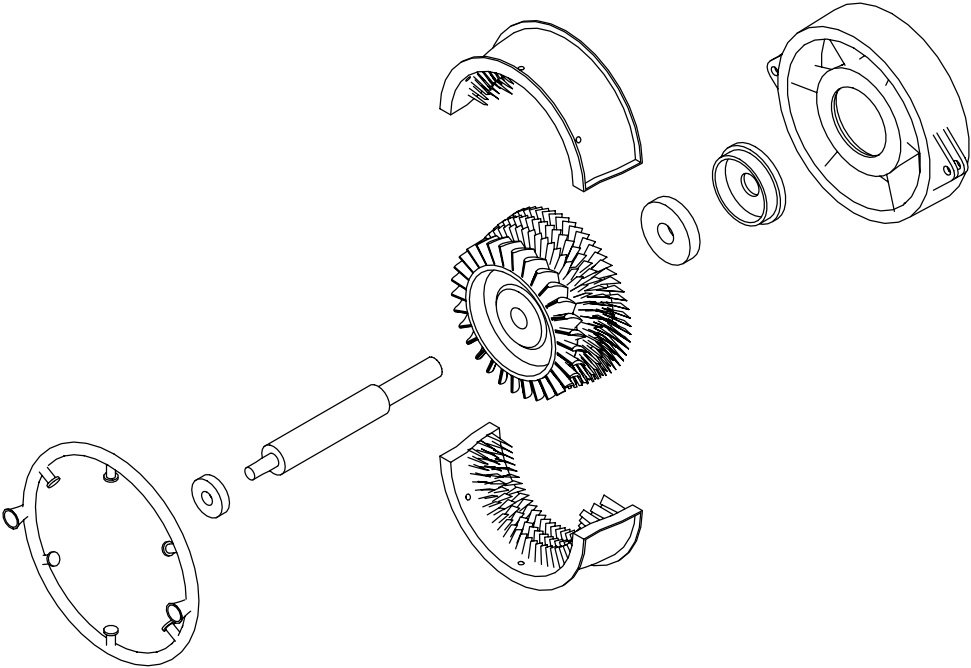
TASK 5

Set-up [T-3](#) and the [Crane](#). Bring in the [LPT Way](#).

Remove the [AFT Frame](#) by unscrewing the [Turbine Way Bolts](#).

Push away the [AFT Frame](#), using the [Crane](#) and the [Chain T-3](#).

Move the [LPT Way](#) and detach the [Low pressure turbine](#) from the assembly.



Remove the [LPT Upper Case](#). Set-up the [Crane](#) and [T-4](#).

Remove the [LPT Rotor](#) from the [LPT Lower Case](#) with [LPT Blades](#).

Push away the [Low Pressure Turbine rotor](#) using the [Crane](#) and [T-4](#).

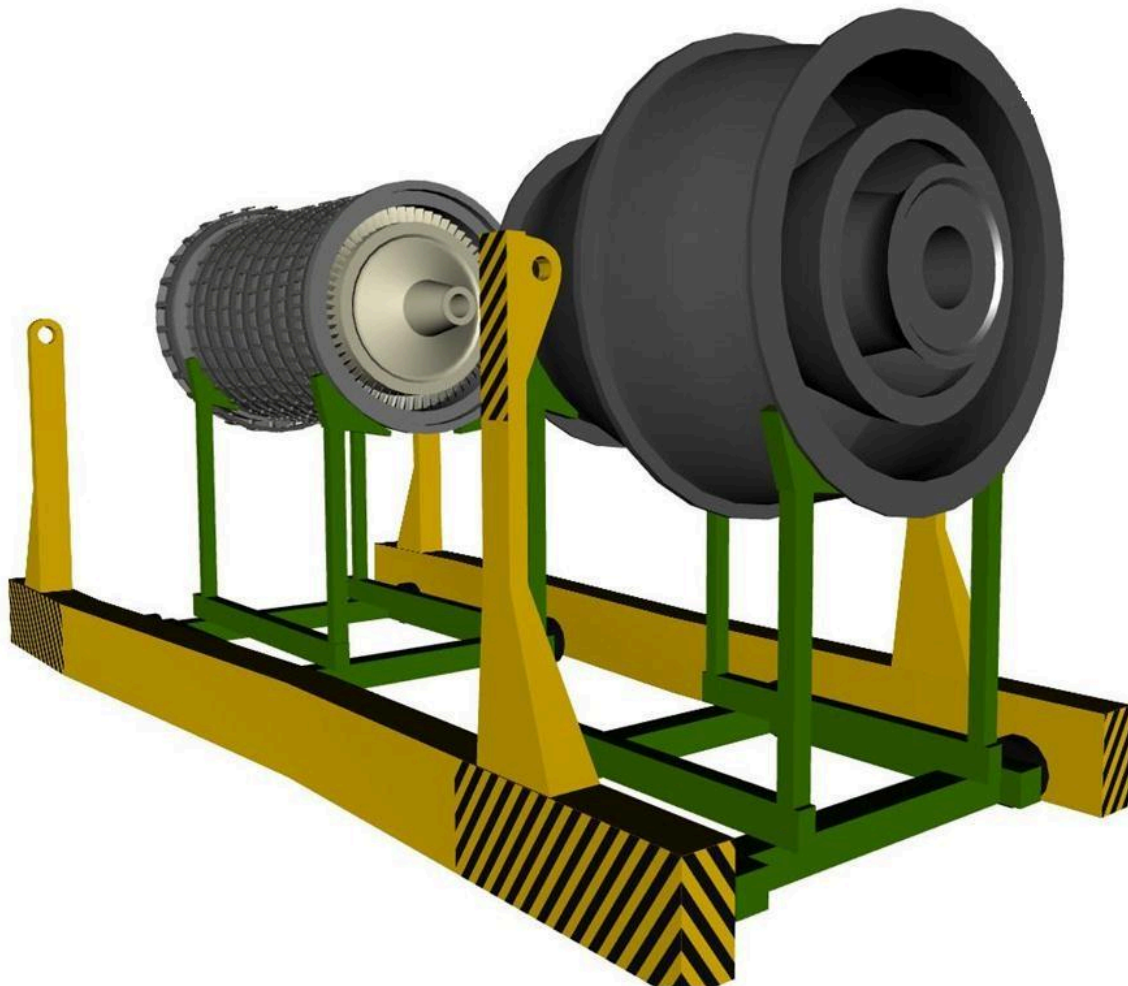
Push away the [LPT Lower Case](#) with [LPT Blades](#) using the [LPT Way](#).

Remove the [Turbine Way](#).

TASK 6

Detach the [Combustion Chamber](#), using [Combustion Chamber Way](#).

Detach the combustion chamber



TASK 7

Remove the [Compressor Rings](#).

Remove the [Compressor Upper Case](#).

Set-up the [Crane](#) and T-5.

Remove [Compressor Rotor](#).

Push away the Compressor Lower Case with Compressor blades on the Compressor module Way.

