
Turbine

Illustrated Parts Data

Table of contents

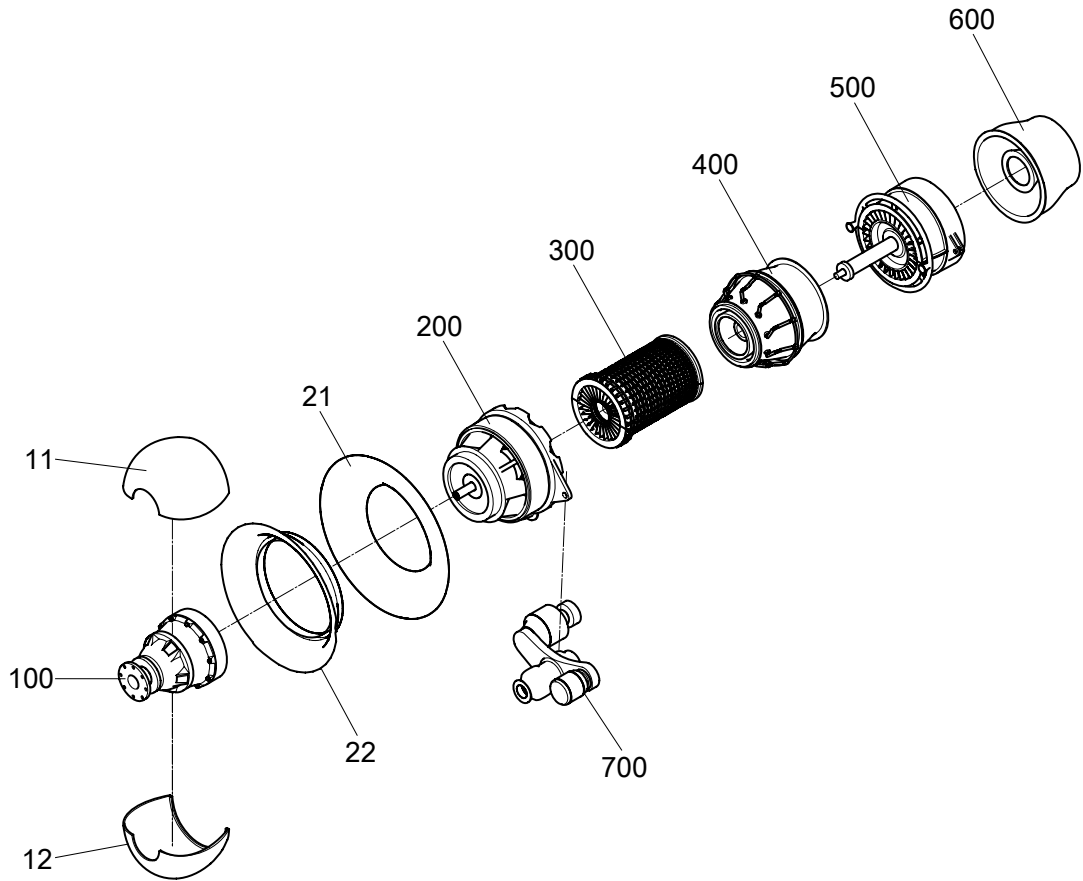
Page

Illustrated Parts Data..... 1

List of figures

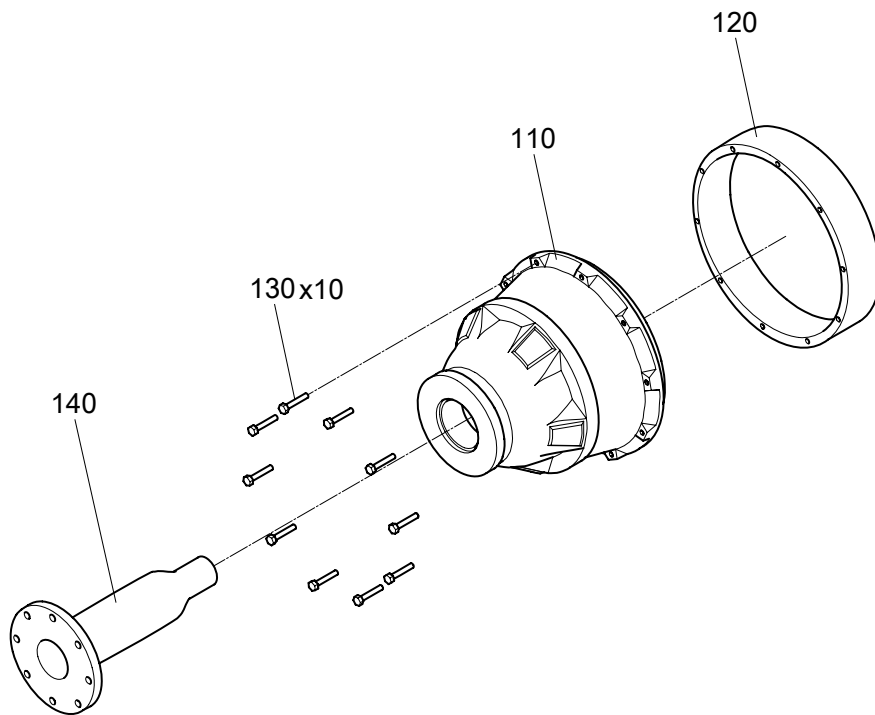
1 Turbine (Sheet 1 of 9)..... 2
1 Turbine (Sheet 2 of 9)..... 3
1 Turbine (Sheet 3 of 9)..... 4
1 Turbine (Sheet 4 of 9)..... 5
1 Turbine (Sheet 5 of 9)..... 6
1 Turbine (Sheet 6 of 9)..... 7
1 Turbine (Sheet 7 of 9)..... 8
1 Turbine (Sheet 8 of 9)..... 9
1 Turbine (Sheet 9 of 9)..... 10

Figure 1 Turbine (Sheet 1 of 9)



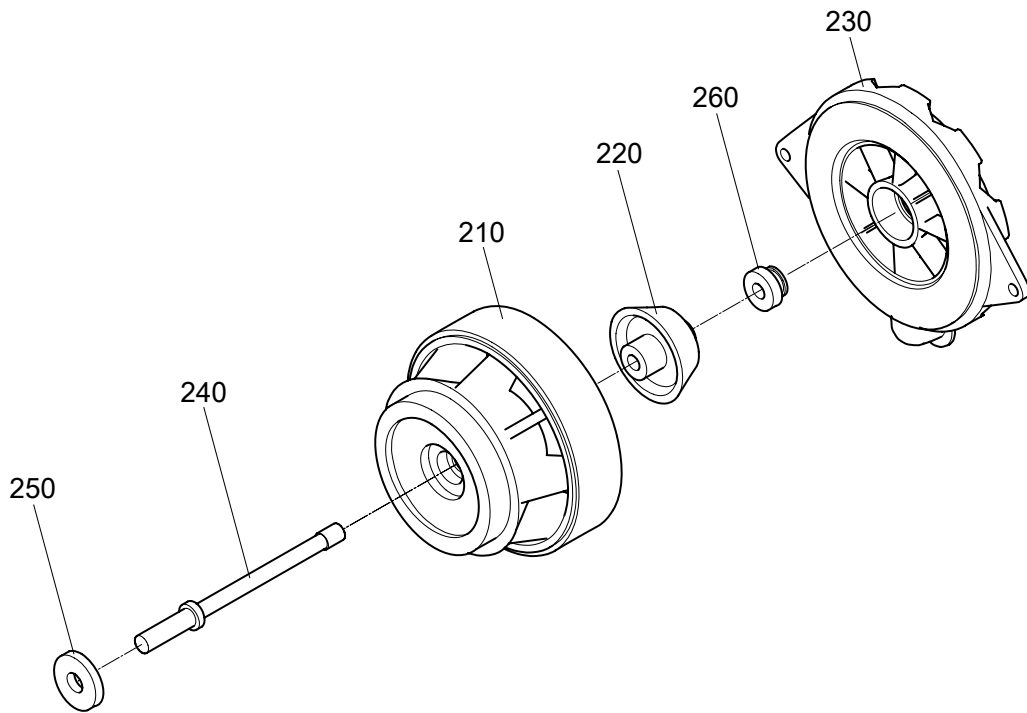
ICN-TURBINE-A-000000-0-00000-00001-A-01-1

Figure 1 Turbine (Sheet 2 of 9)



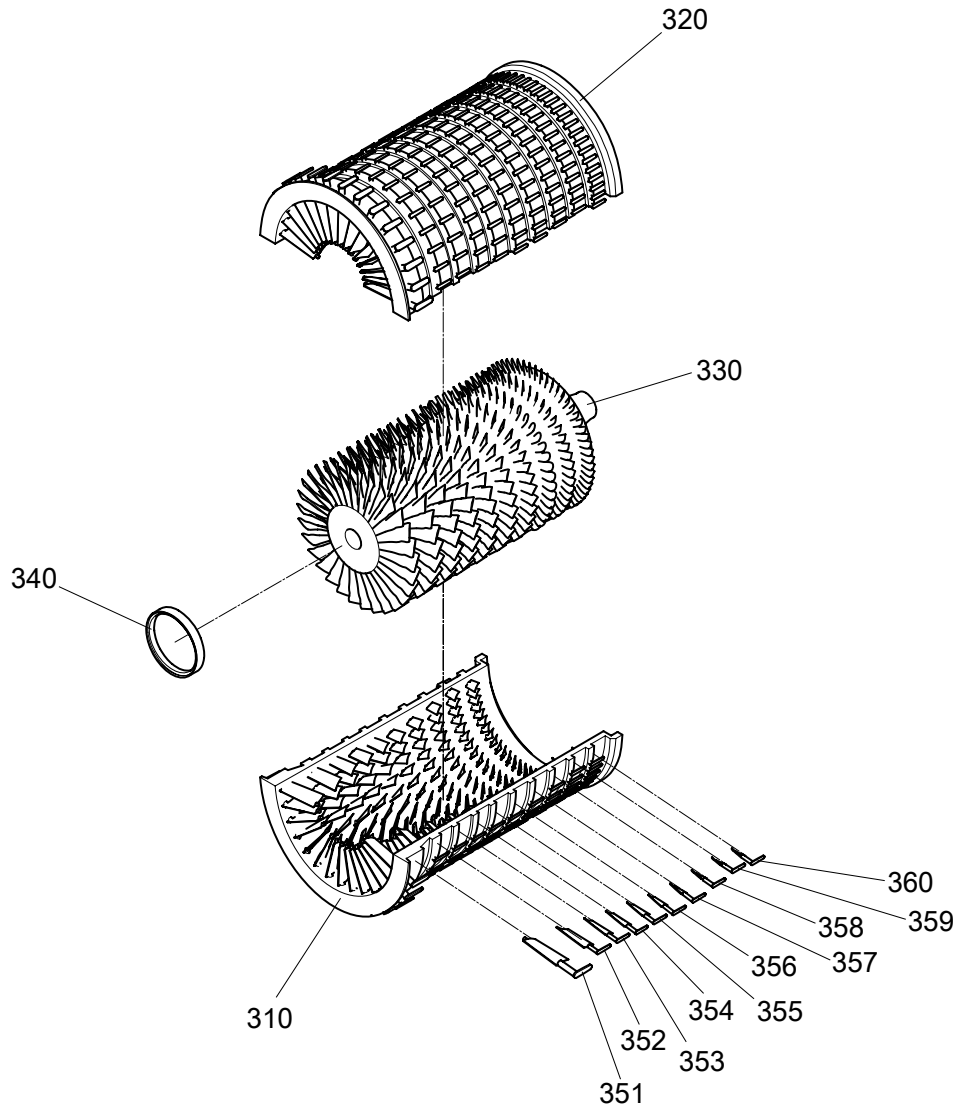
ICN-TURBINE-A-000000-0-00000-00002-A-01-1

Figure 1 Turbine (Sheet 3 of 9)



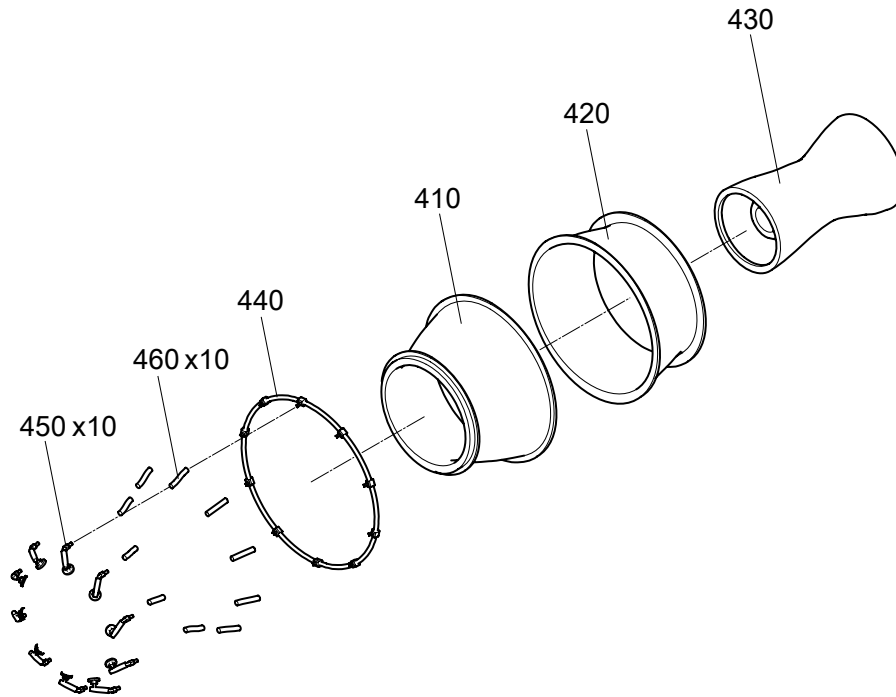
ICN-TURBINE-A-000000-0-00000-00003-A-01-1

Figure 1 Turbine (Sheet 4 of 9)



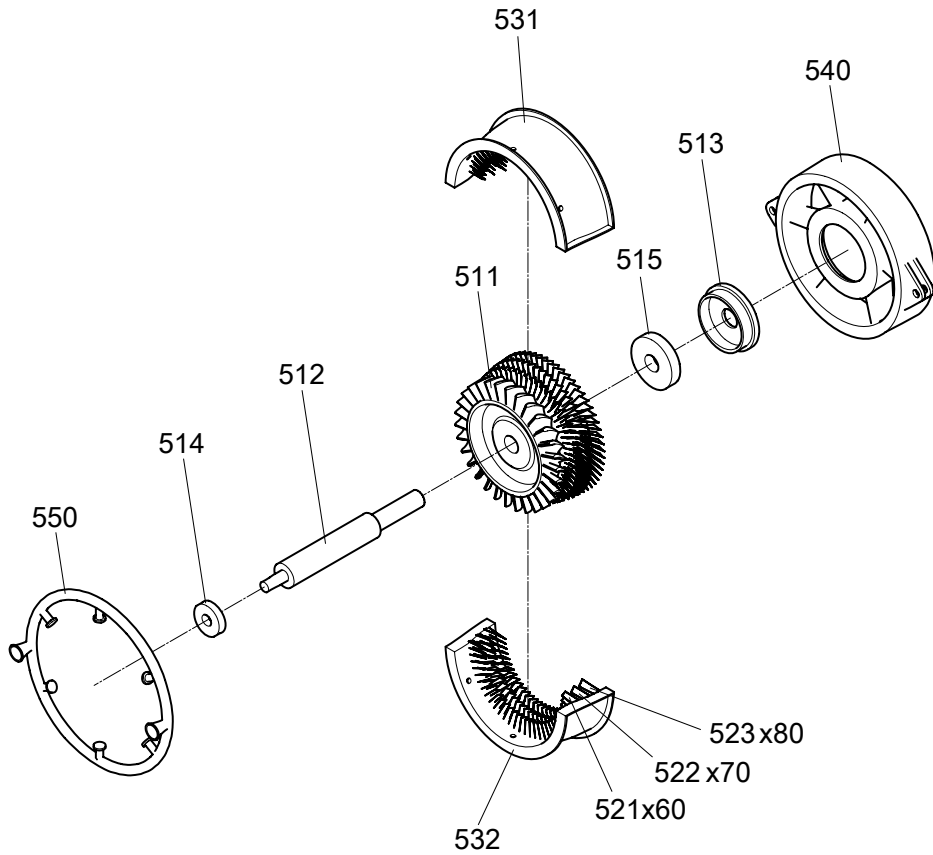
ICN-TURBINE-A-000000-0-00000-00004-A-01-1

Figure 1 Turbine (Sheet 5 of 9)



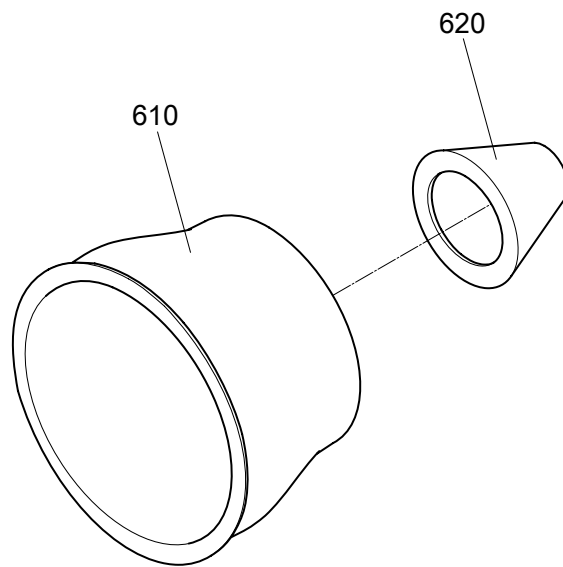
ICN-TURBINE-A-000000-0-00000-00005-A-01-1

Figure 1 Turbine (Sheet 6 of 9)



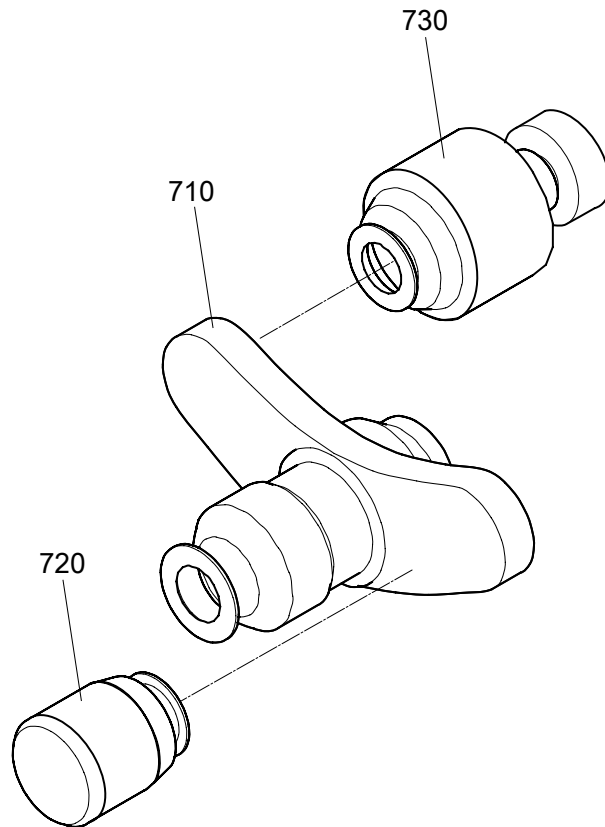
ICN-TURBINE-A-000000-0-00000-00006-A-01-1

Figure 1 Turbine (Sheet 7 of 9)



ICN-TURBINE-A-000000-0-00000-00007-A-01-1

Figure 1 Turbine (Sheet 8 of 9)



ICN-TURBINE-A-000000-0-00000-00008-A-01-1

Figure 1 Turbine (Sheet 9 of 9)

UNCLASSIFIED

| Fig | Item | Units per assembly/ Unit of issue | CAGE | Part No. NATO stock No. | Description | *Usable on code assy •MV/Effect | ICY |
|------|------|--------------------------------------|------|----------------------------|-------------------------|------------------------------------|-----|
| 00AA | | | | | | | |
| | 1 | 1 | | PG-D-01 | GAS TURBINE ENGINE | | |
| | 11 | 1 | | RC-001 | •REDUCTOR COVER - UPPER | | |
| | 12 | 1 | | RC-002 | •REDUCTOR COVER - LOWER | | |
| | 21 | 1 | | IN-001 | •INLET NOZZLE FRONT | | |
| | 22 | 1 | | IN-002 | •INLET NOZZLE REAR | | |
| | 100 | 1 | | M-001 | •REDUCTOR MODULE | | |
| | 110 | 1 | | M-001-001 | ••REDUCTOR ASSEMBLY | | |
| | 120 | 1 | | M-001-002 | ••FRAME ADAPTER | | |
| | 130 | 10 | | KOR-001 | ••BOLT | | |
| | 140 | 1 | | M-001-001_215 | ••REDUCTOR SHAFT | | |
| | 200 | 1 | | M-002 | •FORWARD SUMP ASSEMBLY | | |
| | 210 | 1 | | M-002-001 | ••FRONT FRAME | | |
| | 220 | 1 | | M-002-002 | ••SUMP COVER REAR | | |
| | 230 | 1 | | M-002-003 | ••SUMP COVER FRONT | | |
| | 240 | 1 | | M-002-004 | ••DRIVE SHAFT | | |
| | 250 | 1 | | B-001 | ••BEARING | | |
| | 260 | 1 | | B-002 | ••BEARING | | |
| | 300 | 1 | | M-003 | •COMPRESSOR MODULE | | |
| | 310 | 1 | | M-003-001 | ••COMPRESSOR LOWER CASE | | |
| | 320 | 1 | | M-003-002 | ••COMPRESSOR UPPER CASE | | |
| | 330 | 1 | | M-003-003 | ••COMPRESSOR ROTOR | | |
| | 340 | 1 | | M-003-005 | ••CARRIER RING | | |
| | 351 | 30 | | M-003-000-001 | ••STAGE 1 BLADE | | |
| | 352 | 30 | | M-003-000-002 | ••STAGE 2 BLADE | | |
| | 353 | 30 | | M-003-000-003 | ••STAGE 3 BLADE | | |
| | 354 | 33 | | M-003-000-004 | ••STAGE 4 BLADE | | |
| | 355 | 33 | | M-003-000-005 | ••STAGE 5 BLADE | | |
| | 356 | 36 | | M-003-000-006 | ••STAGE 6 BLADE | | |
| | 357 | 38 | | M-003-000-007 | ••STAGE 7 BLADE | | |
| | 358 | 42 | | M-003-000-008 | ••STAGE 8 BLADE | | |
| | 359 | 50 | | M-003-000-009 | ••STAGE 9 BLADE | | |

Applicable to: All

TURBINE-A-00-00-00-00AA-941D-A

UNCLASSIFIED

| Fig | Item | Units per assembly/ Unit of issue | CAGE | Part No. NATO stock No. | Description | *Usable on code assy •MV/Effect | ICY |
|------------|-------------|--|-------------|------------------------------------|--|--|------------|
| | 360 | 60 | | M-003-000-010 | ••STAGE 10 BLADE | | |
| | 400 | 1 | | M-004 | •COMBUSTION CHAMBER | | |
| | 410 | 1 | | M-004-001 | ••FRONT HOUSING | | |
| | 420 | 1 | | M-004-002 | ••REAR HOUSING | | |
| | 430 | 1 | | M-004-003 | ••CRANKCASE | | |
| | 440 | 1 | | M-004-004 | ••FUEL PIPELINE | | |
| | 450 | 10 | | M-004-005 | ••FUEL NOZZLE | | |
| | 460 | 10 | | M-004-006 | ••FUEL PIPELINE TO NOZZLE CONNECTOR | | |
| | 500 | 1 | | M-005 | •LOW PRESSURE TURBINE MODULE | | |
| | 510 | 1 | | M-005-001 | ••TURBINE ROTOR | | |
| | 511 | 1 | | M-005-005 | •••ROTOR | | |
| | 512 | 1 | | M-005-007 | •••TURBINE SHAFT | | |
| | 513 | 1 | | M-005-006 | •••ROTOR COVER | | |
| | 514 | 1 | | B-003 | •••BEARING | | |
| | 515 | 1 | | B-004 | •••BEARING | | |
| | 520 | 1 | | M-005-002 | ••TURBINE STATOR | | |
| | 521 | 60 | | M-005-000-001 | •••STAGE 1 BLADE | | |
| | 522 | 70 | | M-005-000-002 | •••STAGE 2 BLADE | | |
| | 523 | 80 | | M-005-000-003 | •••STAGE 3 BLADE | | |
| | 531 | 1 | | M-005-002-001 | •••LPT UPPER CASE | | |
| | 532 | 1 | | M-005-002-002 | •••LPT LOWER CASE | | |
| | 540 | 1 | | M-005-003 | ••AFT FRAME | | |
| | 550 | 1 | | T-001 | ••COOLING SYSTEM PIPELINE | | |
| | 600 | 1 | | M-006 | •OUTLET NOZZLE MODULE | | |
| | 610 | 1 | | M-006-001 | ••OUTER NOZZLE | | |
| | 620 | 1 | | M-006-002 | ••INNER NOZZLE | | |
| | 700 | 1 | | M-007 | •STARTER SYSTEM MODULE | | |
| | 710 | 1 | | M-007-001 | ••STARTER SYSTEM GEARBOX | | |
| | 720 | 1 | | M-007-002 | ••GENERATOR | | |
| | 730 | 1 | | M-007-003 | ••STARTER | | |

Applicable to: All

TURBINE-A-00-00-00-00AA-941D-A

End of data module

UNCLASSIFIED

2015-02-17 Page 12