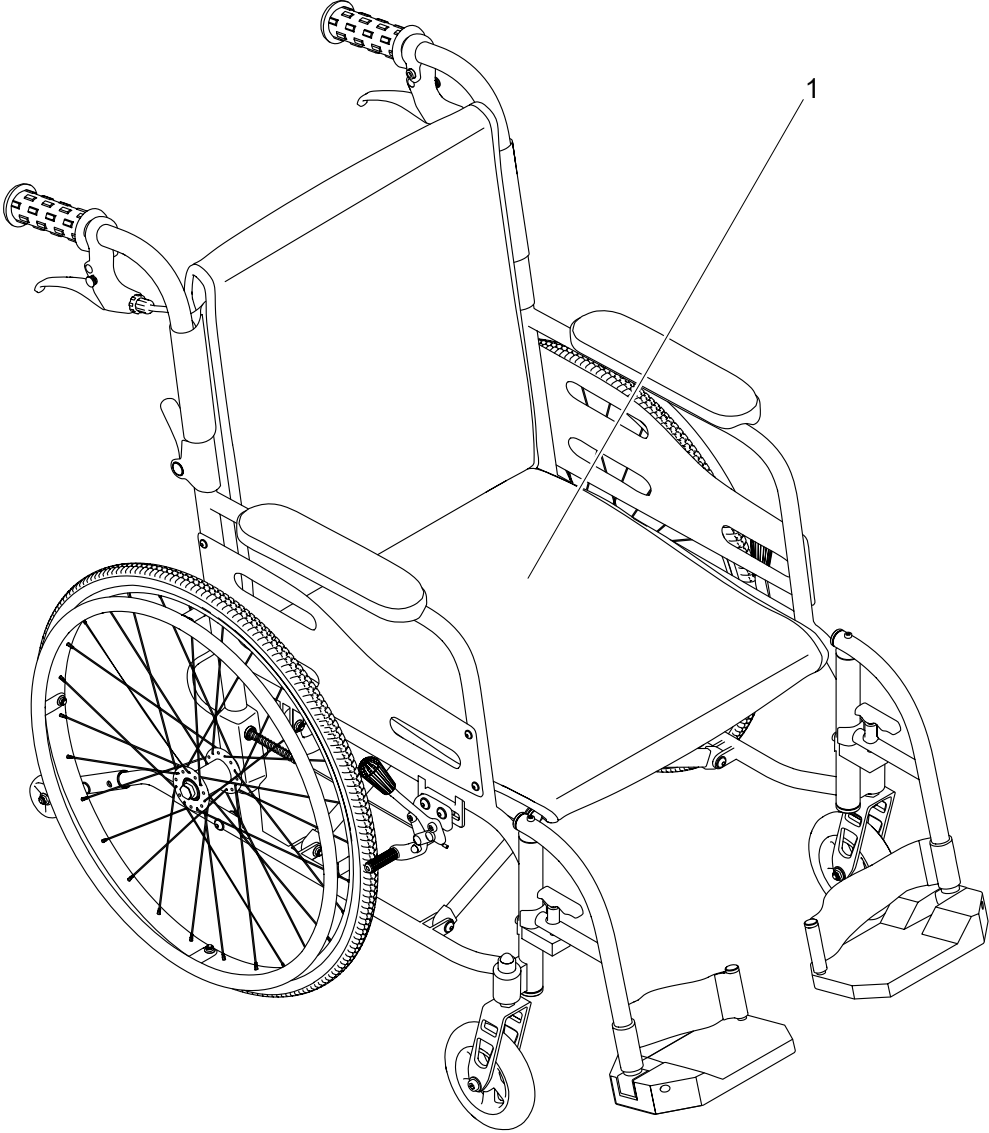
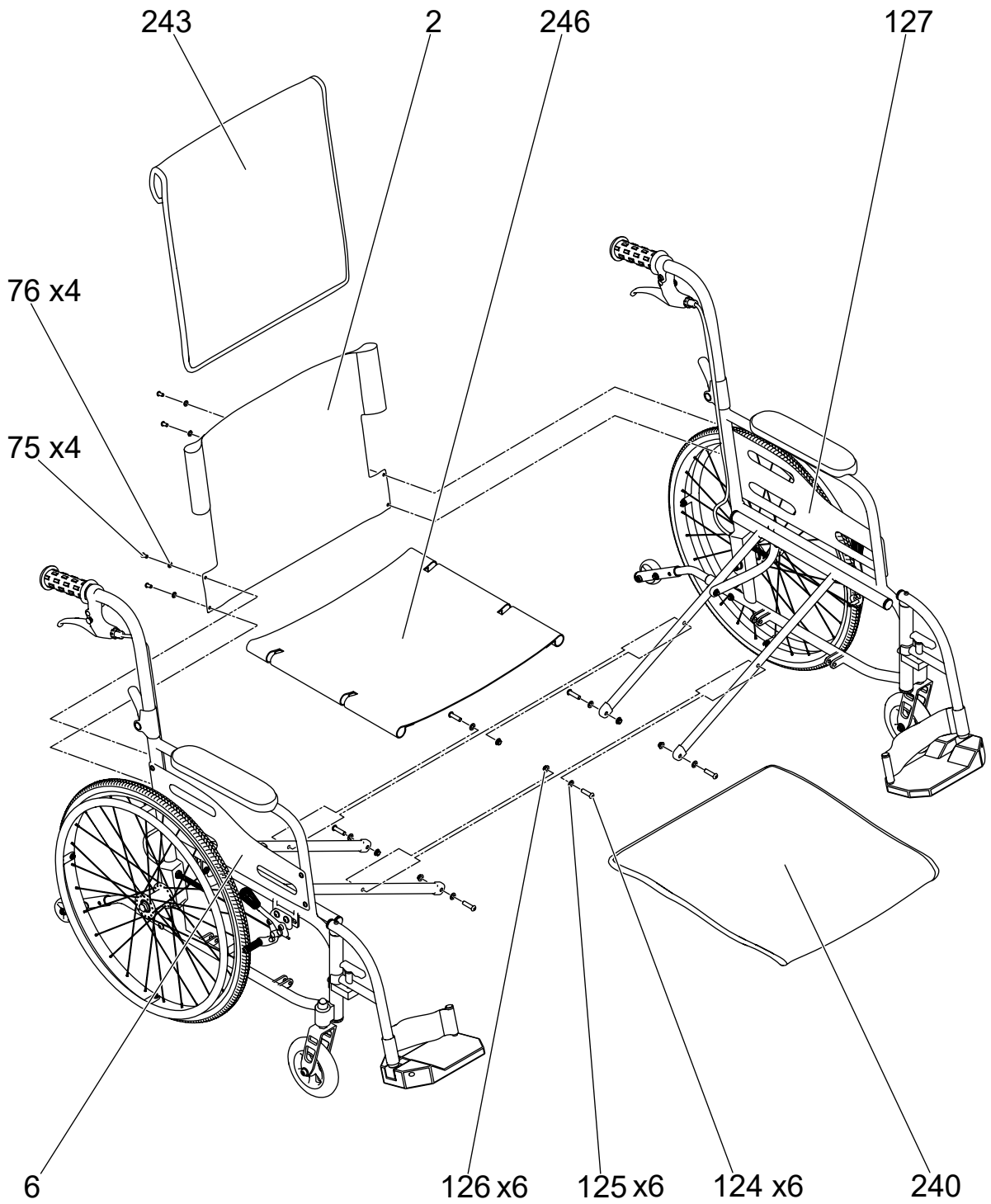


**WHEELCHAIR Catalog**



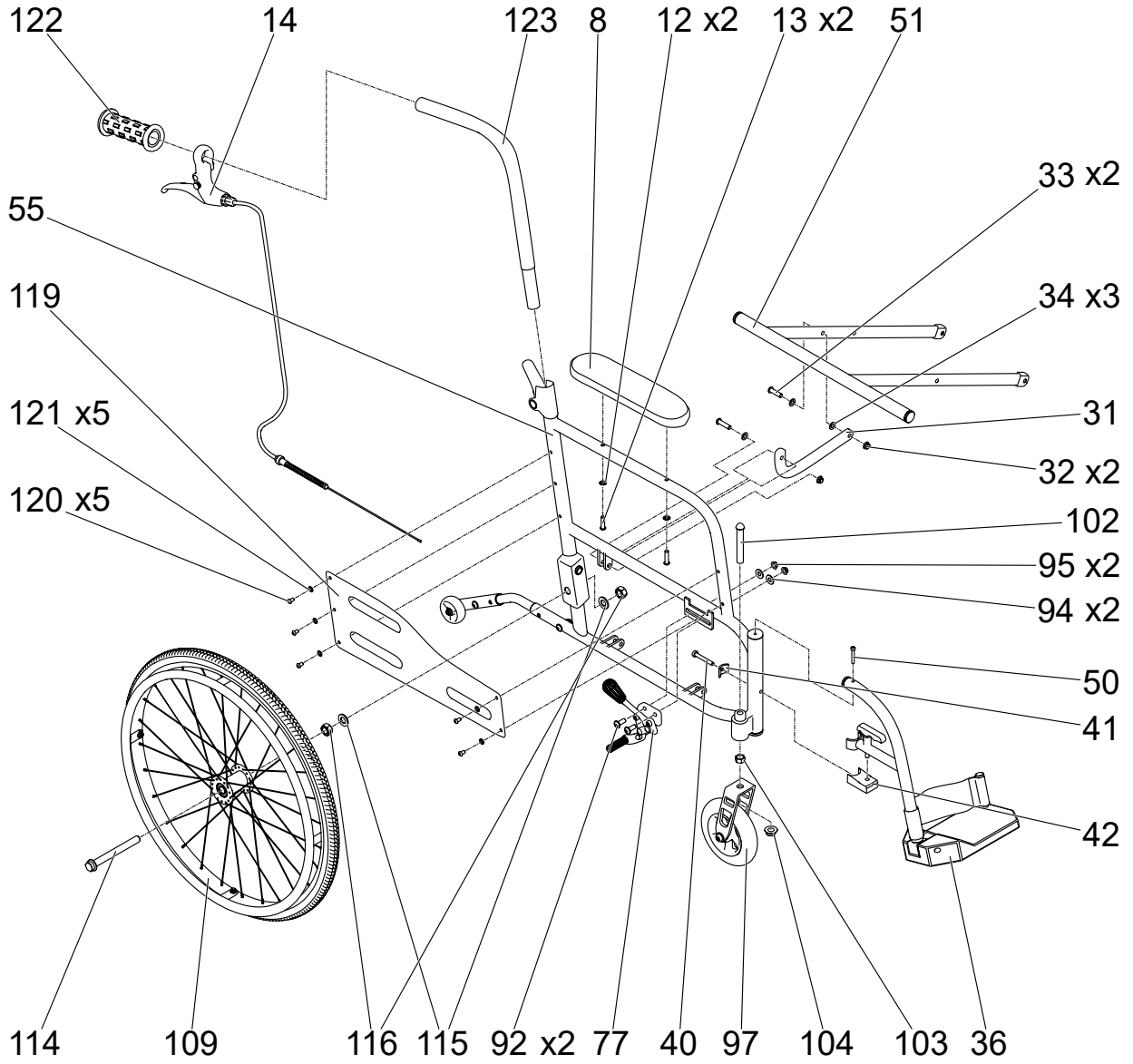
00 WHEELCHAIR

# WHEELCHAIR Catalog



## 01 GENERAL ASSEMBLY

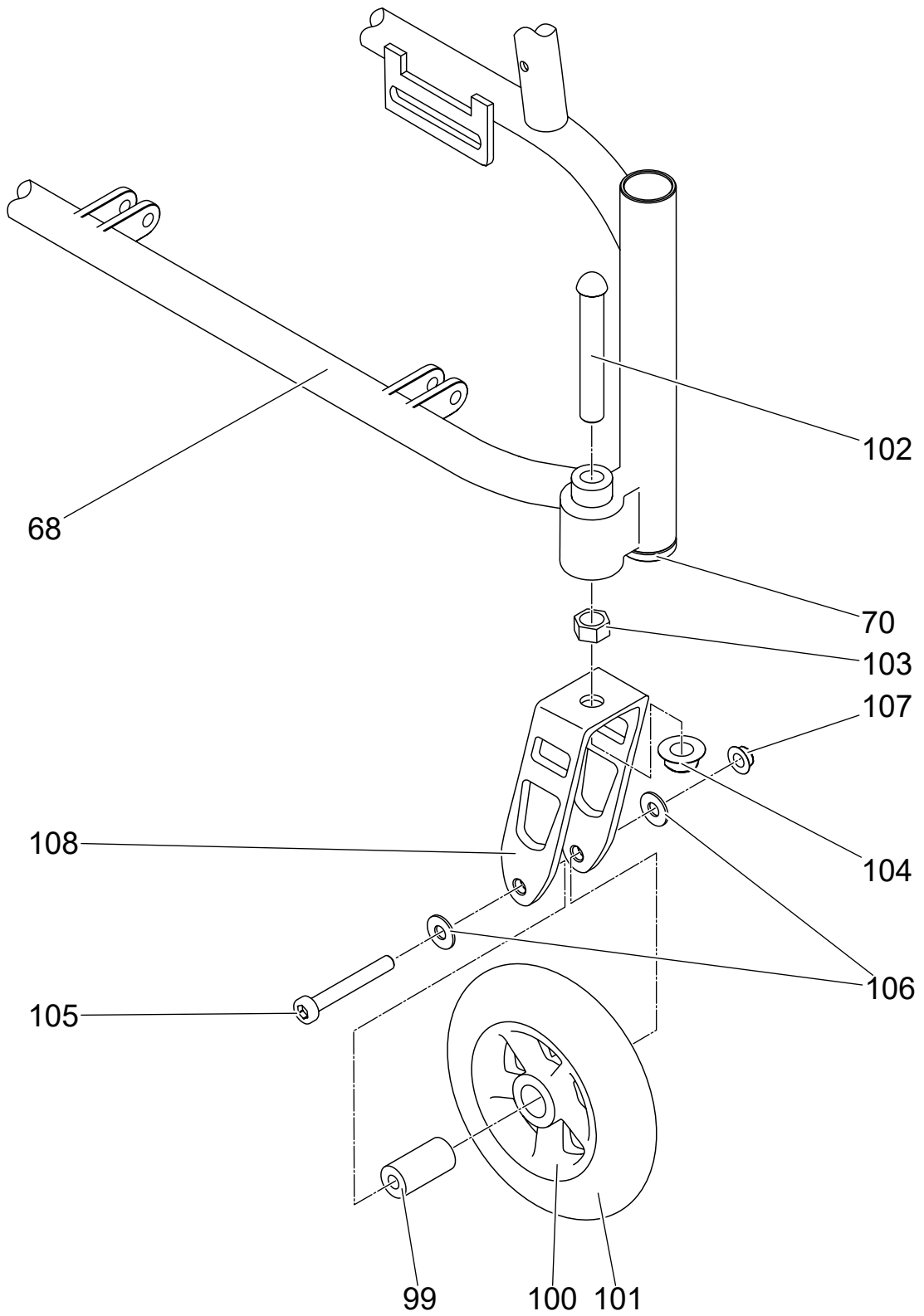
# WHEELCHAIR Catalog



02 LEFT HAND SIDE

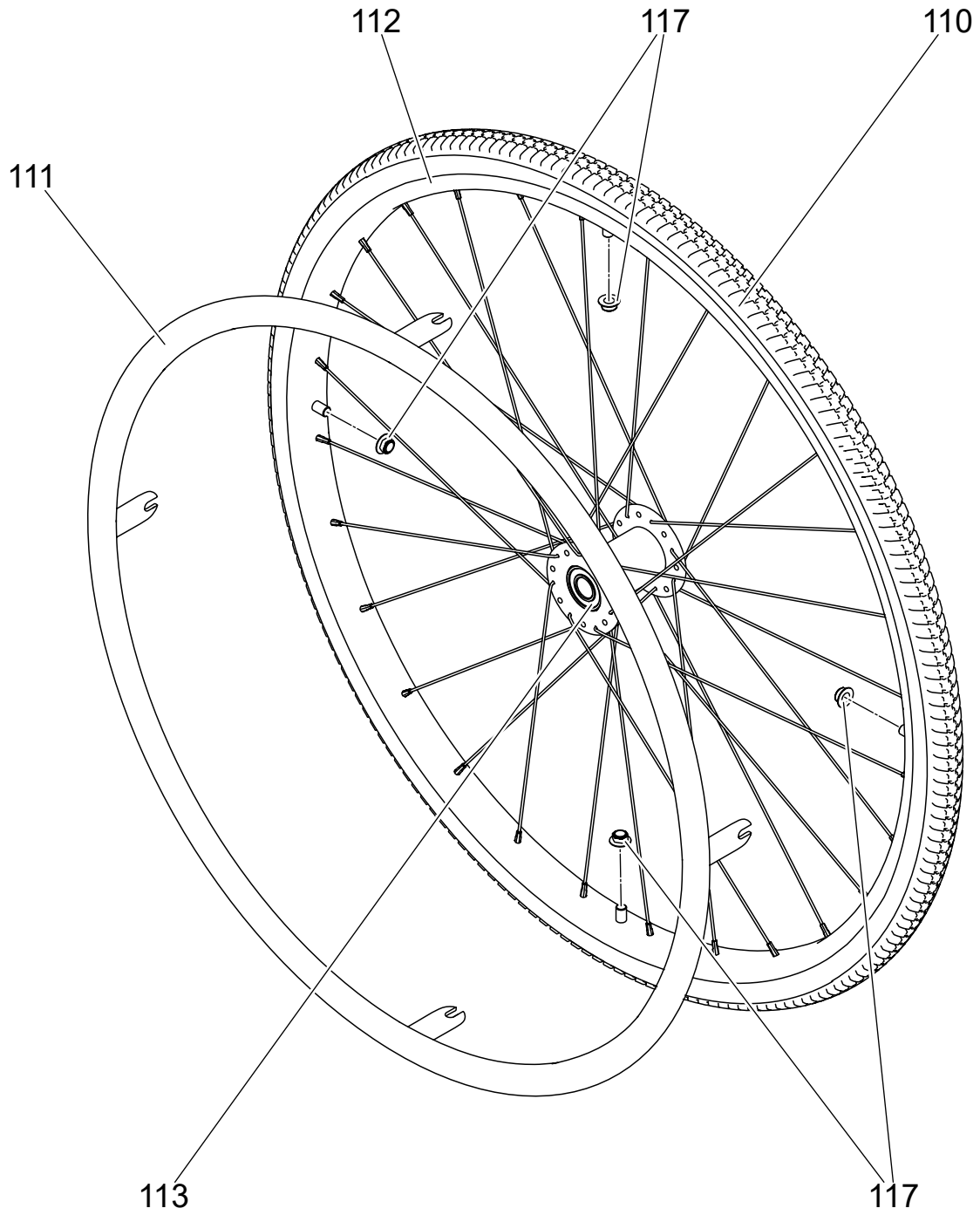


# WHEELCHAIR Catalog



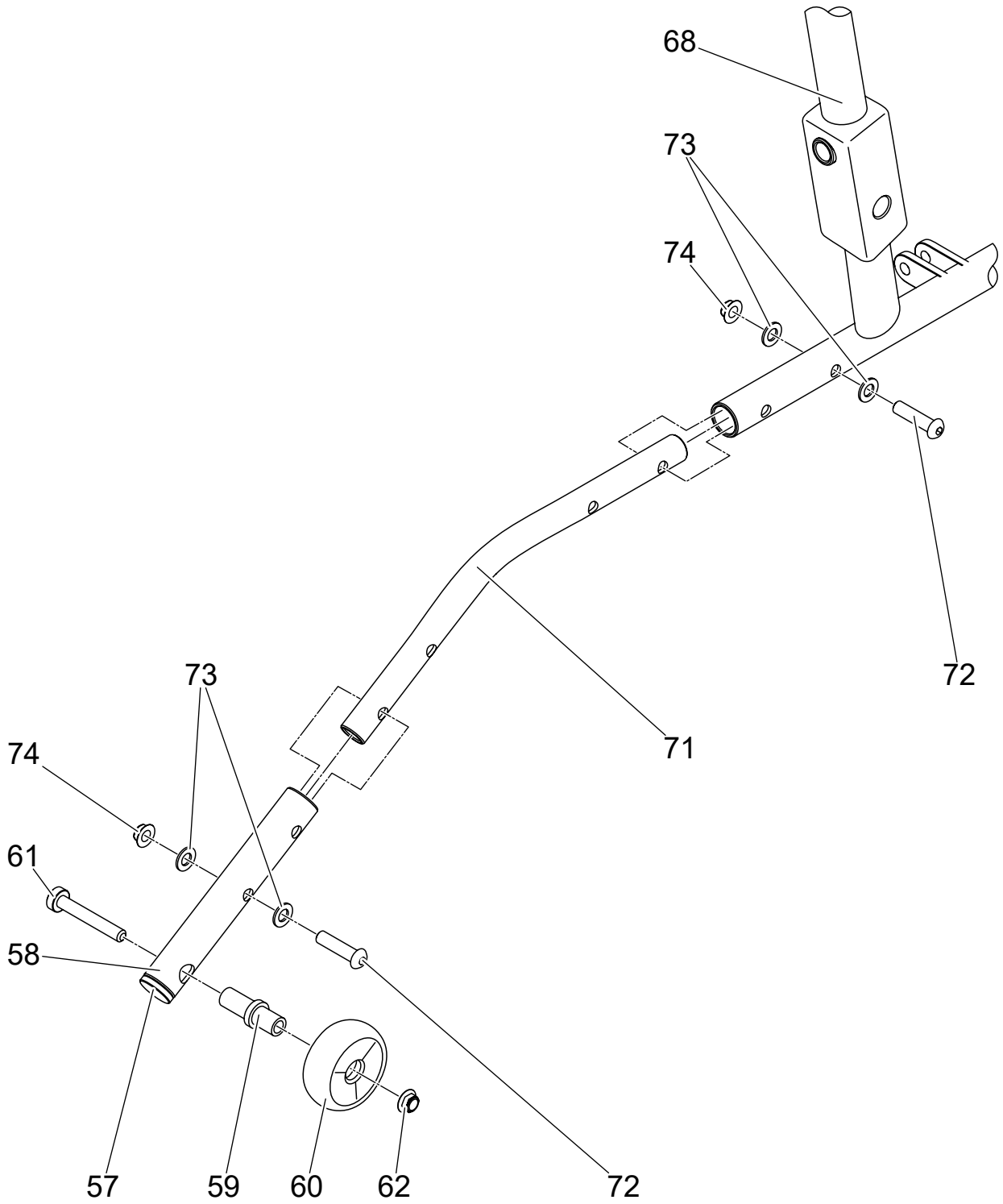
04 CASTER WHEEL

# WHEELCHAIR Catalog



05 MAIN WHEEL

# WHEELCHAIR Catalog



06 ANTI-TIP CASTER

## WHEELCHAIR Catalog

ITEM	DESCRIPTION	PART NO.	QTY	INFO
1	WHEELCHAIR	00	1	
2	•BACKREST	01	1	
6	•LEFT HAND SIDE	02	1	
7	••ARMREST	02-01	1	
8	•••ARMREST	02-01-01	1	
12	•••Washer	00009	2	
13	•••Screw	00033	2	
14	••HAND BRAKE	02-02	1	
30	••ELBOW	02-03	1	
31	•••Elbow	00079	1	
32	•••Nut	00012	2	
33	•••Screw	00040	2	
34	•••Washer	00013	3	
36	••FOOTREST	02-04	1	
37	•••Belt pin	00064	1	
38	•••Screw	00062	1	
39	•••Footrest plate	00081	1	
40	•••Retainer screw	00053	1	
41	•••Retainer brace	00030	1	
42	•••Retainer	00054	1	
43	•••Retainer pin	00056	1	
44	•••Frame emphasis	00043	1	
45	•••Leg belt	00080	1	
46	•••Pin handle	00061	1	
47	•••Footrest frame cup	00023	1	
48	•••Footrest frame	00087	1	
49	•••Joint	00041	1	
50	•••Frame screw	00046	1	
51	••FOLDING FRAME	02-05	1	
55	••MAIN FRAME	02-06	1	
56	•••ANTI-TIP CASTER	02-06-01	1	



## WHEELCHAIR Catalog

ITEM	DESCRIPTION	PART NO.	QTY	INFO
57	••••Frame cup	00022	1	
58	••••Barbell	00073	1	
59	••••Slide bearing	00051	1	
60	••••Wheel	00057	1	
61	••••Bolt	00058	1	
62	••••Nut	00012	1	
68	•••Main frame	00105	1	
70	•••Cup bottom	00036	1	
71	•••Coupling rod	00084	1	
72	•••Screw	00042	2	
73	•••Washer	00013	4	
74	•••Nut	00012	2	
75	•••Screw	00014	4	
76	•••Washer	00005	4	
77	••FRONT BRAKE	02-07	1	
92	•••Brake screw	00027	2	
94	•••Brake washer	00019	2	
95	•••Nut	00012	2	
97	••CASTER WHEEL	02-08	1	
98	•••WHEEL ASSEMBLY (L)	02-08-01	1	
99	••••Caster wheel sleeve	00044	1	
100	••••Caster wheel disc	00066	1	
101	••••Caster wheel tyre	00074	1	
102	•••Caster wheel axis	00065	1	
103	•••Caster wheel axis nut	00021	1	
104	•••Caster wheel axis nut	00028	1	
105	•••Caster wheel screw	00059	1	
106	•••Caster wheel washer	00020	2	
107	•••Caster wheel nut	00015	1	
108	•••Caster wheel fork	00075	1	
109	••MAIN WHEEL	02-09	1	

## WHEELCHAIR Catalog

ITEM	DESCRIPTION	PART NO.	QTY	INFO
110	•••Main wheel tire	00101	1	
111	•••Main wheel handrim	00095	1	
112	•••Main wheel rim	00097	1	
113	•••Main wheel bearing	00037	2	
114	•••Main wheel bolt	00071	1	
115	•••Main wheel washer	00029	2	
116	•••Main wheel nut	00025	2	
117	•••Nut	00008	4	
118	••SIDE WALL	02-10	1	
119	•••Side wall	00092	1	
120	•••Screw	00007	5	
121	•••Washer	00003	5	
122	••Hand grip	00072	1	
123	••Push rod	00089	1	
124	••Screw	00040	6	
125	••Washer	00013	6	
126	••Nut	00012	6	
127	•RIGHT HAND SIDE	03	1	
192	•••Screw	00014	2	
193	•••Washer	00005	2	
236	••Screw	00040	2	
237	••Washer	00013	2	
238	••Nut	00012	2	
240	••SEAT CUSHION	04-01	1	
243	••BACK CUSHION	04-02	1	
246	•Seat support	00096	1	
247	•Screw	00039	2	
248	•Washer	00013	4	
249	•Nut	00012	2	